



FLEX DC® NEON SIDE is a high performance flexible LED fixture designed as a neon replacement but useful in a wide variety of applications where a smooth surface of light is desired.

ELECTRICAL

Input Voltage	24VDC
Dimming Options	<ul style="list-style-type: none"> • PURE DC™ • DMX • 0-10V • MLV • Lutron (2-WIRE, 3-WIRE, EcoSystem)
Power Consumption	3.66 Watts / ft: White, RGB, Green, Blue 2.19 Watts / ft: Red & Amber
Wire Size	18AWG, 2 wire (white and solid color) 20AWG, 4 wire (RGB)
Certification	UL

PHYSICAL

Cuttable	Every 3.94": RGB Every 3.28": White, Green, Blue Every 4.92": Red, Amber
Bend Radius	2.36"
Operating Temperature	-40° C (-40°F) to +70°C (+158°F)
Environment	IP67
Maximum Run Length	R, A: 43.46'; W, G, B: 24.87'; RGB: 22.98'
Dimensions (WxH)	Flat: 0.45" (11.50mm) x 0.83" (21.00mm) Round: 0.45" (11.50mm) x 1.41" (36.00mm)

OPTIONS

Mounting	Mounting Channel Self Locking Mounting Clips
-----------------	---

LUMEN OUTPUT

FLAT	Color	lm/ft	ROUND	Color	lm/ft
2400K ¹	85.34	2400K ¹	103.63	2400K ¹	103.63
2700K	85.34	2700K ¹	103.63	2700K ¹	103.63
3000K	85.34	3000K ¹	103.63	3000K ¹	103.63
3500K	92.54	3500K ¹	115.82	3500K ¹	115.82
4000K ¹	92.54	4000K ¹	115.82	4000K ¹	115.82
5700K ¹	92.54	5700K ¹	115.82	5700K ¹	115.82
RGB	33.53	RGB ¹	39.62	RGB ¹	39.62
Red ¹	33.53	Red ¹	42.67	Red ¹	42.67
Green ¹	67.06	Green ¹	85.34	Green ¹	85.34
Blue ¹	10.67	Blue ¹	12.19	Blue ¹	12.19

¹: Special Order option. Will increase order lead time to 5-6 wks.

PERFORMANCE

Lumen Maintenance	50,000 Hours, L70@ 50°C 70,000 Hours, L70@ 25°C
Warranty	5 years

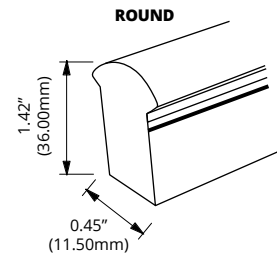
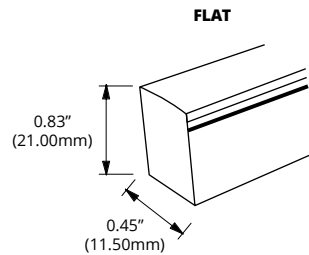
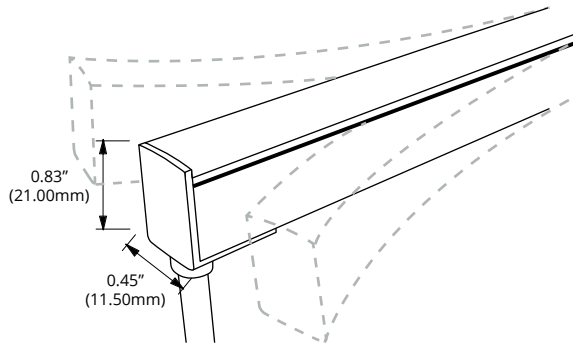
PART NUMBER BUILDER

SERIES	SHAPE	COLOR	VOLTAGE	LENGTH	CONFIGURATION
FLEXNEON	SF = Side Flat SR = Side Round ¹	24 = 2400K ¹ RGB 27 = 2700K R = Red ¹ 30 = 3000K G = Green ¹ 35 = 3500K B = Blue ¹ 40 = 4000K ¹ A = Amber ¹ 57 = 5700K ¹	24 = 24V	S01 = Stock 1' S02 = Stock 2' S06 = Stock 6' S23 = Stock 23' (RGB Only) S25 = Stock 25' (White Only) XX = Custom Length ¹	FNC1 = FLEX DC® Neon Config 1 FNC2 = FLEX DC® Neon Config 2 ¹ <i>Note: See page 5 for Configurations</i>

¹: Special Order option. Will increase order lead time to 5-6 wks.

DIMENSIONS

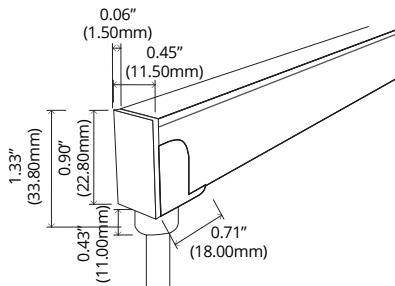
- Due to the nature of the FLEX DC® NEON product, specific lengths may not fall exactly on a cutting point. In this case, Optic Arts® will always cut to the smaller dimension unless otherwise specified.
- Some on-site assembly required. See installation guides for details.



DIMENSIONS

Width	Flat: 0.45" (11.50mm); Round: 0.45" (11.50mm)
Height	Flat: 0.83" (21.00mm); Round: 1.42" (36.00mm)
Cuttable Segment Length	RGB - 3.94" (100.07mm) White, Green, Blue - 3.28" (83.31mm) Red & Yellow - 4.92" (124.97mm)
Max Run Length	RGB - 22.98' (7004.30mm) White, Green, Blue - 24.87' (7580.38mm) Red & Amber - 43.46' (13246.61mm)
Min. Bend Radius	2.36' (59.94mm)

ACCESSORIES



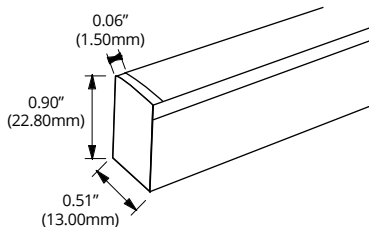
MOLDED POWER FEED CONNECTOR - BOTTOM

Installed on Stocked Fixtures

PART

FLAT	FLEXNEON-SF-S-PFC-M-L-01B	Molded Rear Power Feed, Standard 1'
	FLEXNEON-SF-R-PFC-M-L-01B	Molded Rear Power Feed, RGB 1'
ROUND	FLEXNEON-SR-S-PFC-M-L-01B	Molded Rear Power Feed, Standard 1'
	FLEXNEON-SR-R-PFC-M-L-01B	Molded Rear Power Feed, RGB 1'

Note: Each power feed ships with integral 1' wire lead with outdoor connector installed.



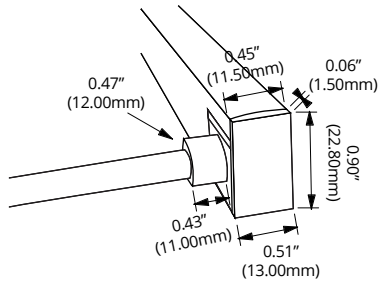
MOLDED END CAP

Installed on Stocked Fixtures

PART

FLAT	FLEXNEON-SF-S-CAP-M	Molded End Cap
ROUND	FLEXNEON-SR-S-CAP-M	Molded End Cap

ACCESSORIES



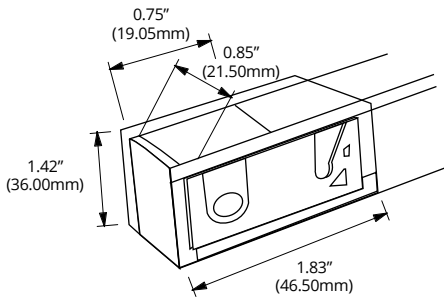
MOLDED POWER FEED CONNECTOR - SIDE

Special Order - 5-6 weeks

PART

FLAT	FLEXNEON-SF-S-PFC-M-L-01S	Molded Side Power Feed, Standard 1'
	FLEXNEON-SF-R-PFC-M-L-01S	Molded Side Power Feed, Left, RGB 1'
ROUND	FLEXNEON-SR-S-PFC-M-L-01S	Molded Side Power Feed, Standard 1'
	FLEXNEON-SR-R-PFC-M-L-01S	Molded Side Power Feed, RGB 1'

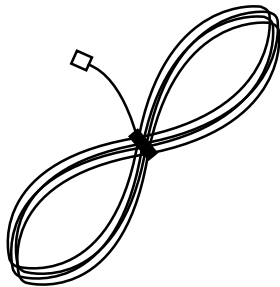
Note: Each power feed ships with integral 1' wire lead with outdoor connector installed.



FIELD TRIMMING ENDCAP

PART

FLAT	FLEXNEON-SF-CAP-S	FIELD TRIMMING ENDCAP KIT
ROUND	FLEXNEON-SR-CAP-S	FIELD TRIMMING ENDCAP KIT

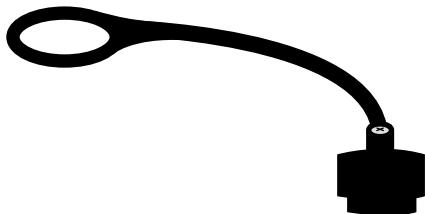


LEAD CONNECTOR WIRE

PART

LC-O2P-W-M72	Male Lead Connector Wire for FLEX DC® NEON White & Solid Color, 6'
LC-O5P-W-M72	RGB Male Lead Connector Wire for FLEX DC® NEON RGB, 6'

Note: Lead Connector Wire is used to connect FLEX DC® NEON to Driver.



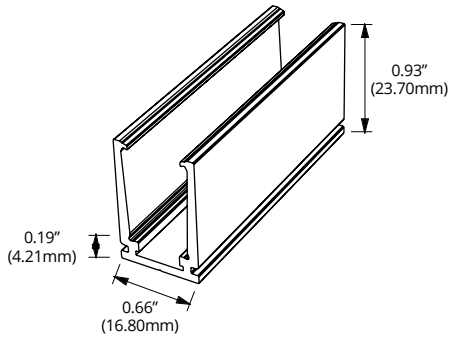
POWER CONNECTOR ENDCAP

PART

FLEXNEON-LC-CAP

Note: When a run ends with an open power connector, the connector needs to be capped off in both indoor and outdoor installations.

ACCESSORIES

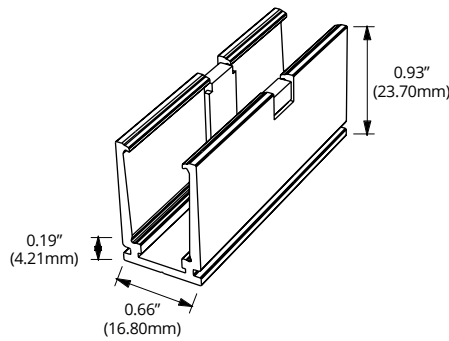


ALUMINUM CHANNEL

PART #

FLEXNEON-S-CH-2M

2 meter channel

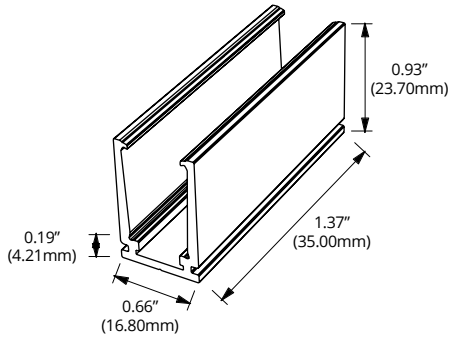


SELF-LOCKING ALUMINUM CHANNEL

PART #

FLEXNEON-S-CH-2M-SL

2 meter self-locking channel

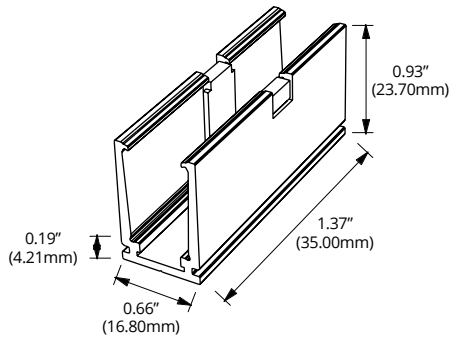


ALUMINUM MOUNTING CLIP

PART #

FLEXNEON-S-MC1

1.37" Mounting Clip



SELF-LOCKING ALUMINUM MOUNTING CLIPS

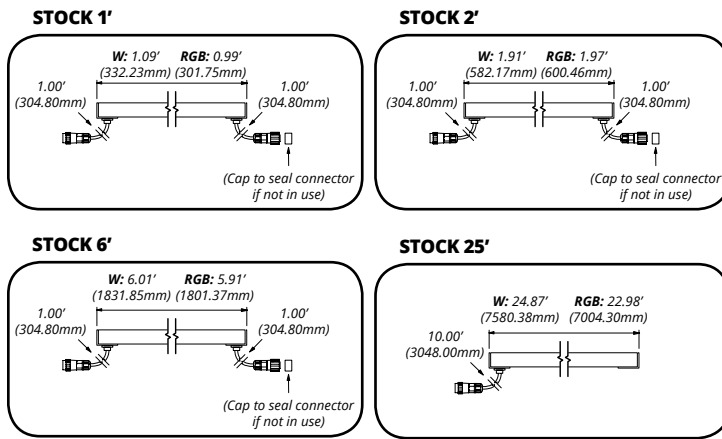
PART #

FLEXNEON-S-MC1-SL

1.37" Self-locking Mounting Clip

CONFIGURATION TYPES

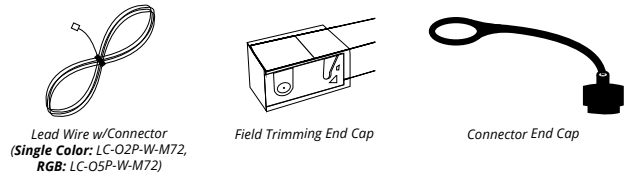
1 Factory Stock Pre-Built Lengths (Lead Time: 1 Week)



NOTES:

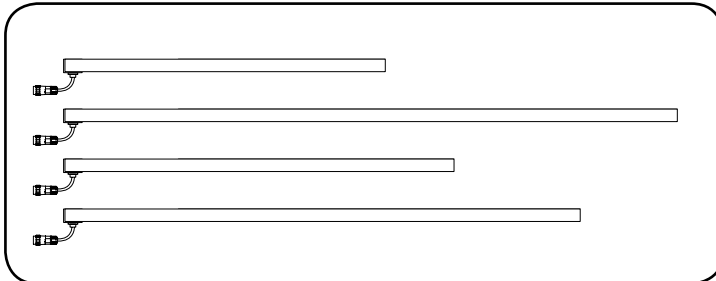
- Specify **FNC1**
- Specify FLEX DC® Neon type and clip/channel type
- Specify stock run lengths
- Specify number of lead wires and power connector caps
- Specify number of field trimming kits if field trimming will be performed

Included in Configuration 1:



2 Custom Length (Lead Time: 5-6 Weeks)

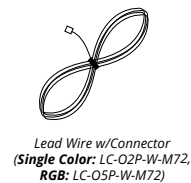
FLEX DC® NEON Cut to Specified Length



NOTES:

- Specify **FNC2**
- Specify FLEX DC® NEON type and clip/channel type
- Specify number of lead wires
- Single 1' power feed with outdoor connector provided on each fixture unless otherwise specified
- Customized power feed lengths and types available upon request. Contact Optic Arts to specify.

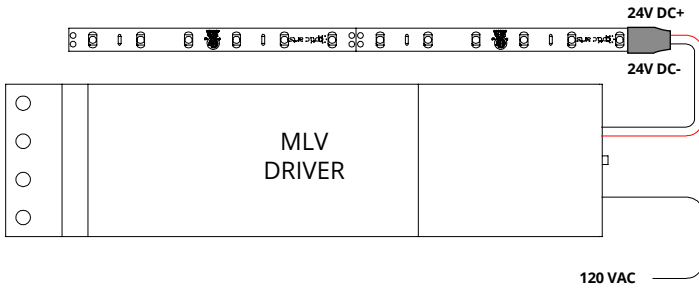
Included in Configuration 2:



NOTES:

1. Due to the nature of the FLEX DC® NEON product, specific lengths may not fall exactly on a cutting point. In this case, Optic Arts® will always cut to the smaller dimension unless otherwise specified.
2. Some on-site assembly required. See installation guides for details.

COMPATIBLE DRIVERS



MLV (MLV)

PART	DESCRIPTION
ML10S24VDC	10W 120VAC DIMMABLE DRIVER
ML20S24VDC	20W 120VAC DIMMABLE DRIVER
ML35S24VDC	35W 120VAC DIMMABLE DRIVER
ML35S24VDC-277	35W 277VAC DIMMABLE DRIVER
ML40S24VDC	40W 120VAC DIMMABLE DRIVER
ML50S24VDC	50W 120VAC DIMMABLE DRIVER
ML50S24VDC-277	50W 277VAC DIMMABLE DRIVER
ML60S24VDC	60W 120VAC DIMMABLE DRIVER
ML75S24VDC	75W 120VAC DIMMABLE DRIVER
ML75S24VDC-277	75W 277VAC DIMMABLE DRIVER
ML96S24VDC	96W 120VAC DIMMABLE DRIVER
ML96S24VDC-277	96W 277VAC DIMMABLE DRIVER
EM2-200S24DC	200W 120VAC DIMMABLE DRIVER, 2 96W CIRCUITS
EM3-300S24DC	300W 120VAC DIMMABLE DRIVER, 3 96W CIRCUITS
EM2-200S24DC-277	200W 120VAC DIMMABLE DRIVER, 2 96W CIRCUITS
EM3-300S24DC-277	288W 120VAC DIMMABLE DRIVER, 3 96W CIRCUITS

DIMENSIONS

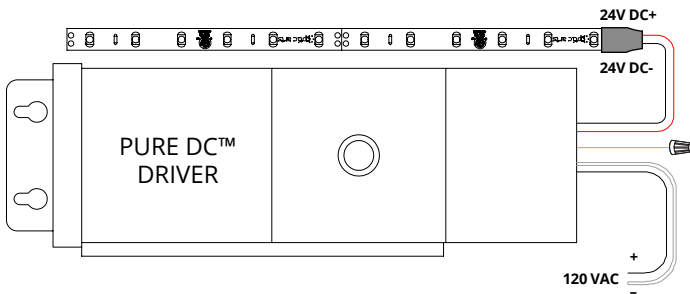
10W-50W	H 2.11"; W 7.38"; D 1.60"
60W-96W	H 3.93"; W 8.13"; D 1.59"
200-300W	H 5.69"; W 10.29"; D 3.13"

DIMMING PERFORMANCE

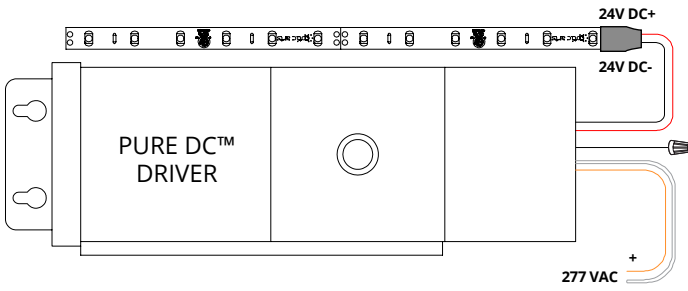
MLV DRIVER Dims to 20% on most MLV dimmers

NOTE: Must be loaded between 75%-100% of rated load to maintain FLEX DC® warranty

120 VAC WIRING



277 VAC WIRING



PURE DC™ MLV (PDC)

PART	DESCRIPTION
PDC.40.24	40W 120/277VAC PURE DC™ MLV DIMMABLE DRIVER
PDC.96.24	96W 120/277VAC PURE DC™ MLV DIMMABLE DRIVER

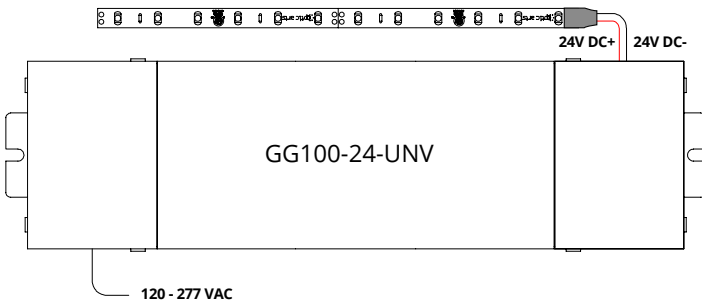
DIMENSIONS

40W	L 14.25"; W 3.00"; H 2.88"
96W	L 14.75"; W 4.31"; H 4.81"

DIMMING PERFORMANCE

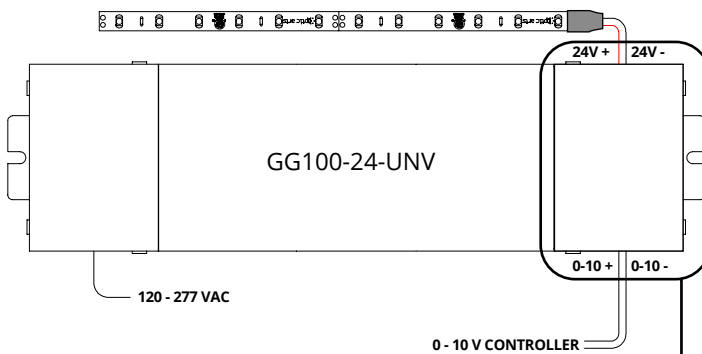
PURE DC™ DRIVER Dims to 0.1% on most MLV dimmers

COMPATIBLE DRIVERS



ELECTRONIC DRIVER - NON-DIM (ND)

PART	DESCRIPTION
GG100E-24-UNV	ELECTRONIC DRIVER
DIMENSIONS	
96W	H 3.00"; W 11.46"; D 1.30"
DIMMING PERFORMANCE	
ELECTRONIC DRIVER	Non-Dim

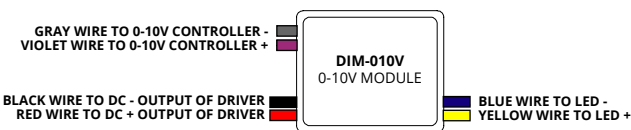


ELECTRONIC DRIVER W/0-10V MODULE (010)

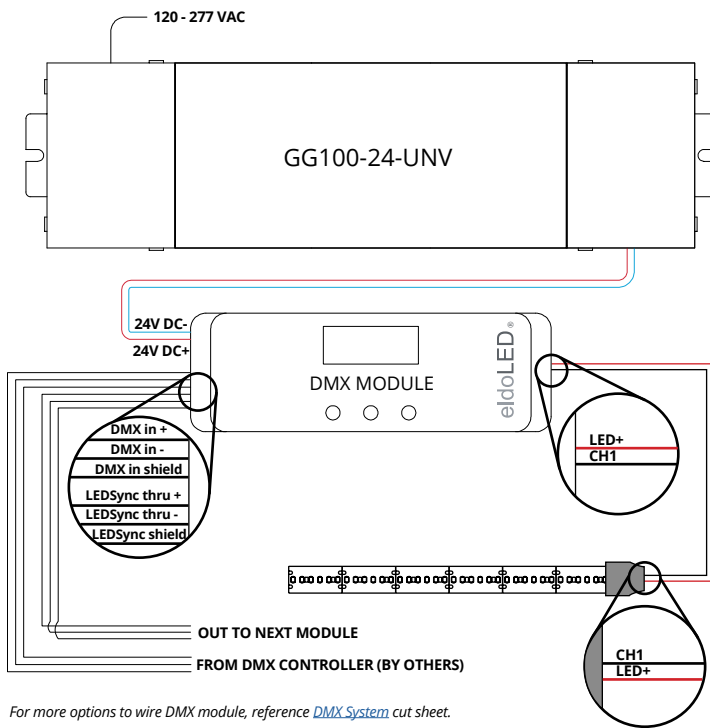
PART	DESCRIPTION
GG100E-24-UNV-010V	96W 120-277VAC ELECTRONIC DRIVER WITH 0-10V DIMMING MODULE (SINK)
DIMENSIONS	
96W	H 3.00"; W 11.46"; D 1.30"
DIMMING PERFORMANCE	
ELECTRONIC DRIVER - 0-10V	Dims below 1% on most 0-10V dimmers

FIELD INSTALLED IN LOW VOLTAGE WIRING COMPARTMENT

- Install DIM-010V Module in low voltage wiring compartment.
- Max number of 25 modules on one dimmer. Consult dimmer datasheet for maximum device limitation of a specific controller.



COMPATIBLE DRIVERS



For more options to wire DMX module, reference [DMX System](#) cut sheet.

ELECTRONIC DRIVER W/DMX MODULE (DMX)

PART	DESCRIPTION
GG100E-24-UNV-DMX	96W 120-277VAC ELECTRONIC DRIVER WITH eldoLED DMX DIMMING MODULE

DIMENSIONS

96W	H 3.00"; W 11.46"; D 1.30"
DMX MODULE	H 1.97"; W 6.02"; D 0.91"

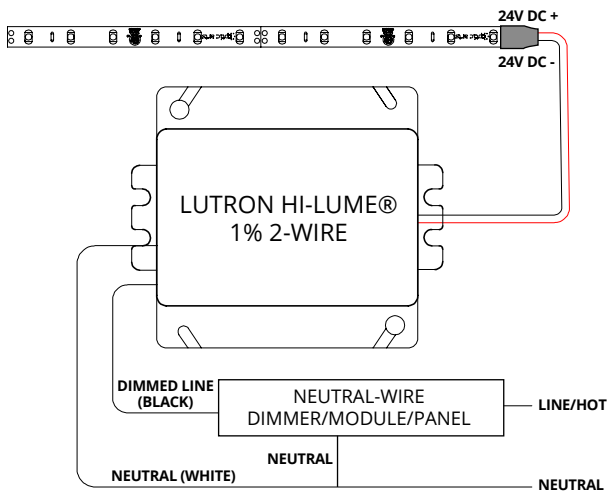
*Must be installed in UL box (by others)

DIMMING PERFORMANCE

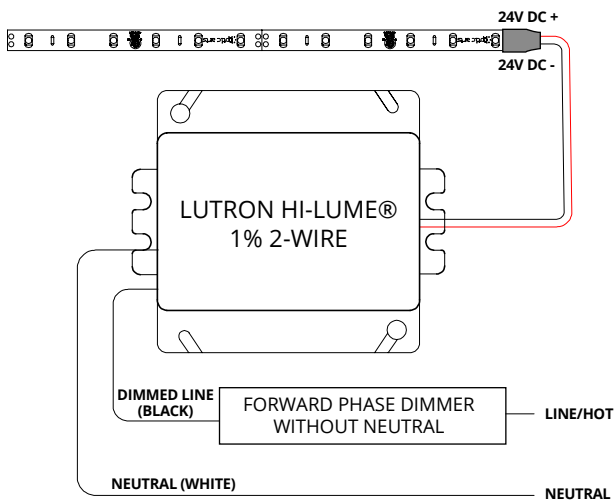
ELECTRONIC DRIVER - DMX MODULE	Dims to 0.1% on most DMX systems
--------------------------------	----------------------------------

COMPATIBLE DRIVERS

DIMMER WITH NEUTRAL



DIMMER WITHOUT NEUTRAL

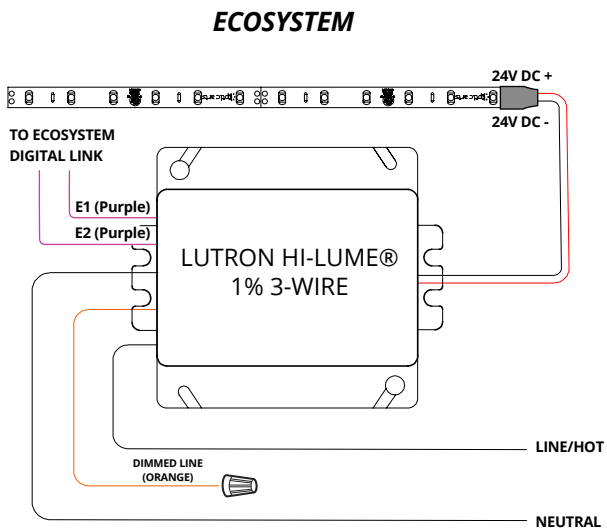
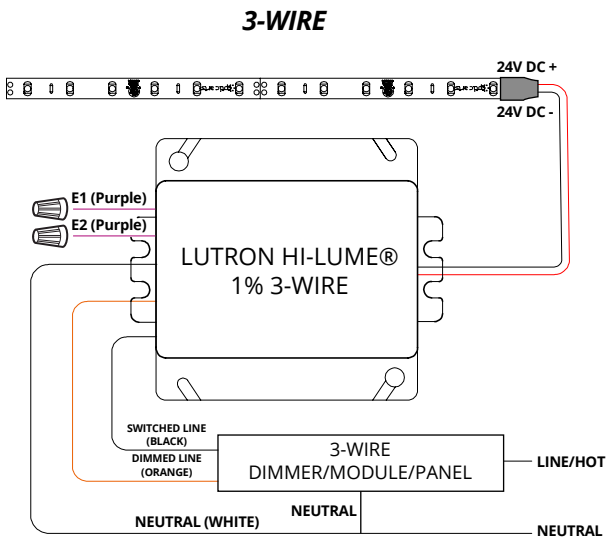


LUTRON HI-LUME® 1% 2-WIRE: 2-WIRE CONTROL FORWARD PHASE



PART	DESCRIPTION
LTEA4U1UKL-CV240	5-40W, 120VAC, 2-WIRE FORWARD PHASE DRIVER
DIMENSIONS	
LUTRON HI-LUME® 1% 2-WIRE	H 4.00"; W 4.89"; D 2.62"
DIMMING PERFORMANCE	
LUTRON HI-LUME® 1% 2-WIRE	Dims to 1% with compatible Lutron controls

COMPATIBLE DRIVERS



**LUTRON HI-LUME® 1%:
3-WIRE/ECOSYSTEM**



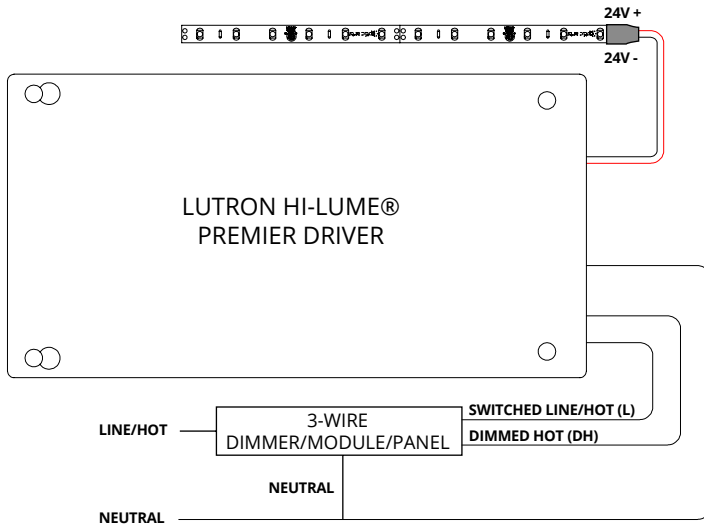
PART	DESCRIPTION
L3DA4U1UKL-CV240	5-40W, 120-277VAC, 3-WIRE/ECOSYSTEM DRIVER

DIMENSIONS	
LUTRON HI-LUME® 1% 3-WIRE/ ECOSYSTEM	H 4.00"; W 4.89"; D 2.62"

DIMMING PERFORMANCE	
LUTRON HI-LUME® 1% 3-WIRE/ ECOSYSTEM	Dims to 1% with compatible Lutron controls

COMPATIBLE DRIVERS

3-WIRE



**LUTRON HI-LUME® PREMIER:
3-WIRE/ECOSYSTEM**



PART	DESCRIPTION
L3D0-96W24V-U	2-96W, 120-277VAC, 3-WIRE/ECOSYSTEM DRIVER

DIMENSIONS	
LUTRON HI-LUME® PREMIER	H 5.5"; W 10.5"; D 2.0"

DIMMING PERFORMANCE	
LUTRON HI-LUME® PREMIER	Dims to 0.1% with compatible Lutron controls
<i>NOTE: Lutron soft-on, fade to black technology available with Ecosystem Digital Control only.</i>	

ECOSYSTEM

