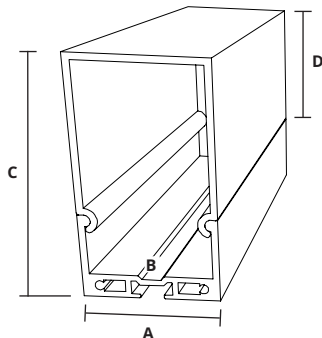




PHYSICAL

Description	Large surface mounted or hanging channel with wrap around lens.
Material	Anodized Aluminum
Lens Cover	Polycarbonate
Width	1.38" (35.00mm)
Inner Width	1.24" (31.40mm)
Height	2.43" (61.70mm)
Lens Height	1.57" (39.90mm)
Length	2 meters

DIMENSIONS



A: 1.38" (35.00mm)
B: 1.24" (31.40mm)
C: 2.43" (61.70mm)
D: 1.57" (39.90mm)

**Must specify for hanging or surface mount application.*

FINISH

Satin Silver	*White Powder Coat
Deep Bronze	*Custom RAL Powder Coat
*Matte Black	*Chrome

**Special order finishes may increase order lead time and incur an added cost*

ACCESSORIES

ACCESSORIES	PART #
Anodized Aluminum End Cap	CHW-SH-3561-EC
Anodized Aluminum End Cap w/Hole	CHW-SH-3561-ECH
Hanging Hardware	CHW-SH-MW
Milky Lens	CHW-SH-3561-CM
Bracket Straight	CHW-SH-BS
Bracket 90° Flat	CHW-SH-B90F
Bracket 90° Raised	CHW-SH-B90R



COMPATIBLE FLEX PRODUCTS

FLEX DC 15		FLEX DC 22	
FLEX DC 30		FLEX DC 44	
FLEX DC 88		FLEX 44 RGBW	
FLEX DC 88 RGBW		FLEX DC QUAD	
FLEX STP 73 <i>IP20 only</i>		FLEX STP RGBW <i>IP20 only</i>	
FLEX STP VARIABLE WHITE <i>IP20 only</i>		FLEX DC VARIABLE WHITE	

PART NUMBER BUILDER

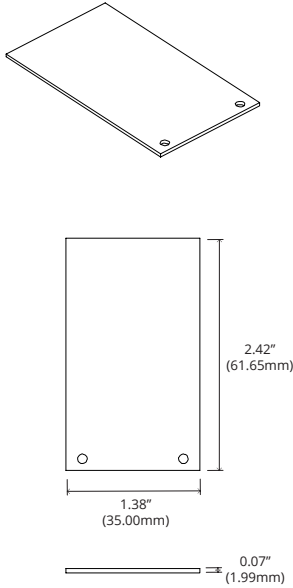
SERIES	+	CHANNEL TYPE	+	DIMENSIONS	+	LENS	+	FINISH
CHW = Channel Wide		S = Surface Mounted H = Hanging Channel		3561 = H 61.00mm x W 35.00mm		2M = Milky Lens		SL = Satin Silver *BZ = Deep Bronze Anodized *MB = Matte Black Anodized *WH = White Powder Coat *BE = Blue Powder Coat *RD = Red Powder Coat *GR = Gray Powder Coat *CH = Chrome *CR = Custom RAL Powder Coat

**Special order finishes may increase order lead time and incur an added cost*

ACCESSORIES

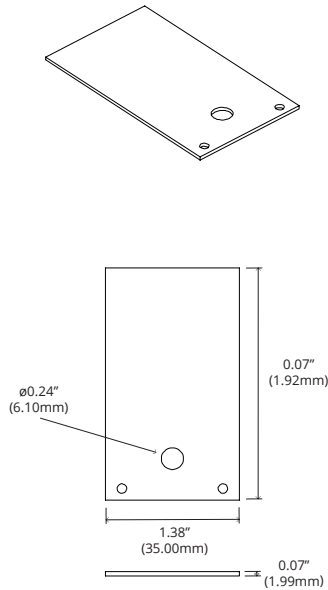
CHW-SH-3561-EC

Anodized Aluminum
End Cap



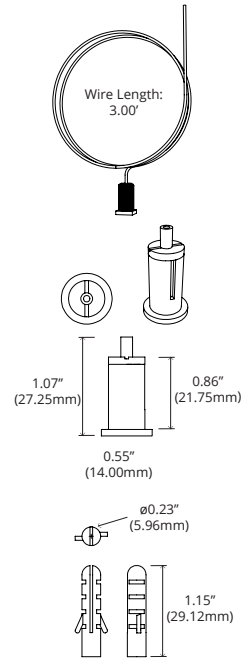
CHW-SH-3561-ECH

Anodized Aluminum
End Cap w/Hole



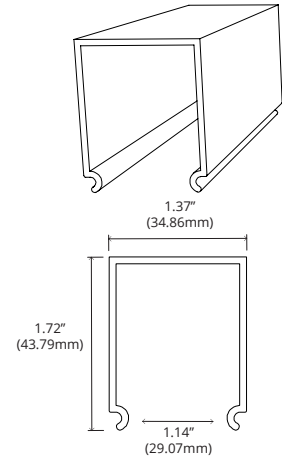
CHW-SH-3561-HHK

Hanging Hardware



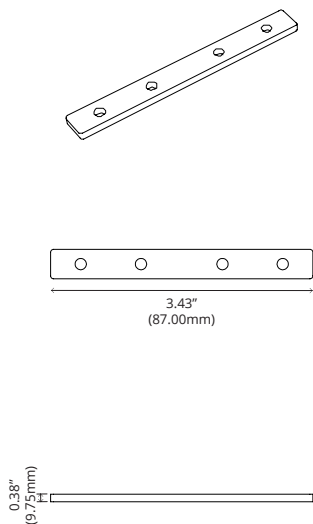
CHW-SH-3561-CM

Milky Lens



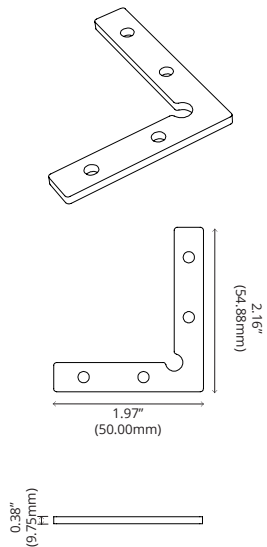
CHW-SH-BS

Bracket Straight



CHW-SH-B90F

Bracket 90° Flat



CHW-SH-B90R

Bracket 90° Raised

