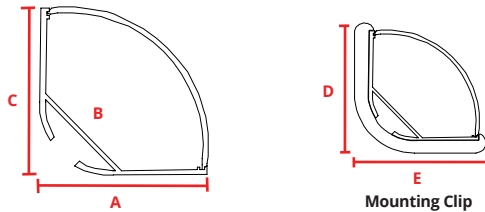




PHYSICAL

Description	45 degree channel with rounded lens.
Material	Anodized Aluminum
Lens Cover	Polycarbonate
Width	A: 1.18" (30.00mm)
Inner Width	B: 0.78" (20.20mm)
Height	C: 1.18" (30.00mm)
Overall Height w/ Mounting Clip	D: 1.29" (32.77mm)
Overall Width w/ Mounting Clip	E: 1.29" (32.77mm)
Length	2 meters

DIMENSIONS



*See Physical for correlating dimensions

FINISH

Satin Silver	Red Powder Coat*
Deep Bronze Anodized*	Gray Powder Coat*
Matte Black Anodized*	Chrome*
White Powder Coat*	Custom RAL Powder Coat*
Blue Powder Coat*	

*Special order finishes may increase order lead time and incur an added cost

ACCESSORIES

Plastic End Cap	CHW-C-3030-EC
Plastic End Cap w/Hole	CHW-C-3030-ECH
Mounting Clip	CHW-C-3030-MC
Clear Lens	CHW-C-3030-CC
Frosted Lens	CHW-C-3030-CF
Milky Lens	CHW-C-3030-CM



Center Blend



Not Blended



Blended w/Milky Lens

COMPATIBLE FLEX PRODUCTS

FLEX DC 15		FLEX DC 22	
FLEX DC 30		FLEX DC 44	
FLEX DC 88		FLEX 44 RGBA/W	
FLEX DC 88 RGBW <i>Fits IP40 only</i>		FLEX DC QUAD	
FLEX STP 73 <i>IP20 only</i>		FLEX STP RGBW <i>IP20 only</i>	
FLEX STP VARIABLE WHITE <i>IP20 only</i>		FLEX DC VARIABLE WHITE	
FLEX STP 40 <i>IP20 only</i>		FLEX STP 20 <i>IP20 only</i>	

PART NUMBER BUILDER

SERIES	+	CHANNEL TYPE	+	DIMENSIONS	+	LENS	+	FINISH
CHW = Channel Wide		C = Corner Mount Channel		3030 = H 30.00mm x W 30.00mm		2C = Clear Lens 2F = Frosted Lens 2M = Milky Lens		SL = Satin Silver *MB = Matte Black Anodized *BZ = Deep Bronze Anodized *WH = White Powder Coat *GY = Gray Powder Coat *BL = Blue Powder Coat *RD = Red Powder Coat *YL = Yellow Powder Coat *CH = Chrome *CR = Custom RAL Powder Coat

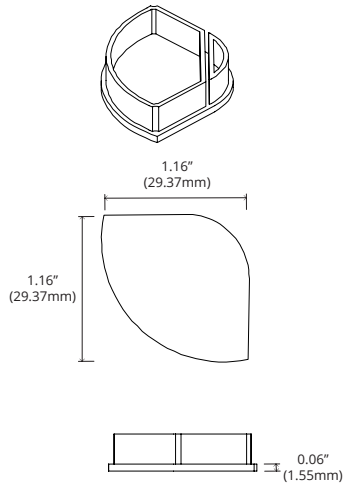
*Special order finishes may increase order lead time and incur an added cost



ACCESSORIES

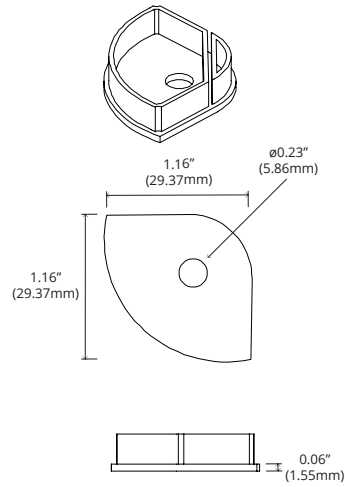
CHW-C-3030-EC

Plastic End Cap



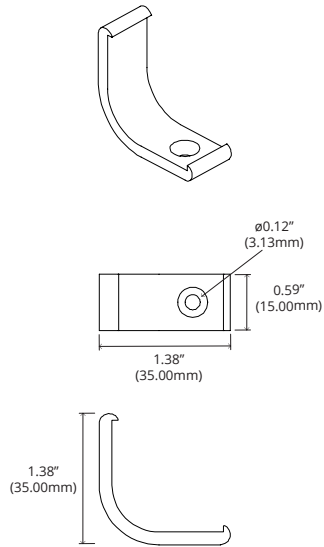
CHW-C-3030-ECH

Plastic End Cap w/Hole



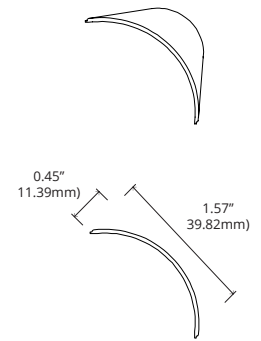
CHW-C-3030-MC

Mounting Clip



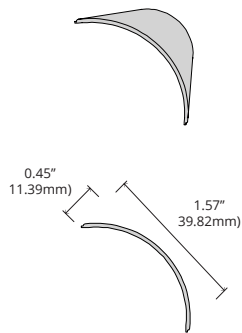
CHW-C-3030-CC

Clear Lens



CHW-C-3030-CF

Frosted Lens



CHW-C-3030-CM

Milky Lens

