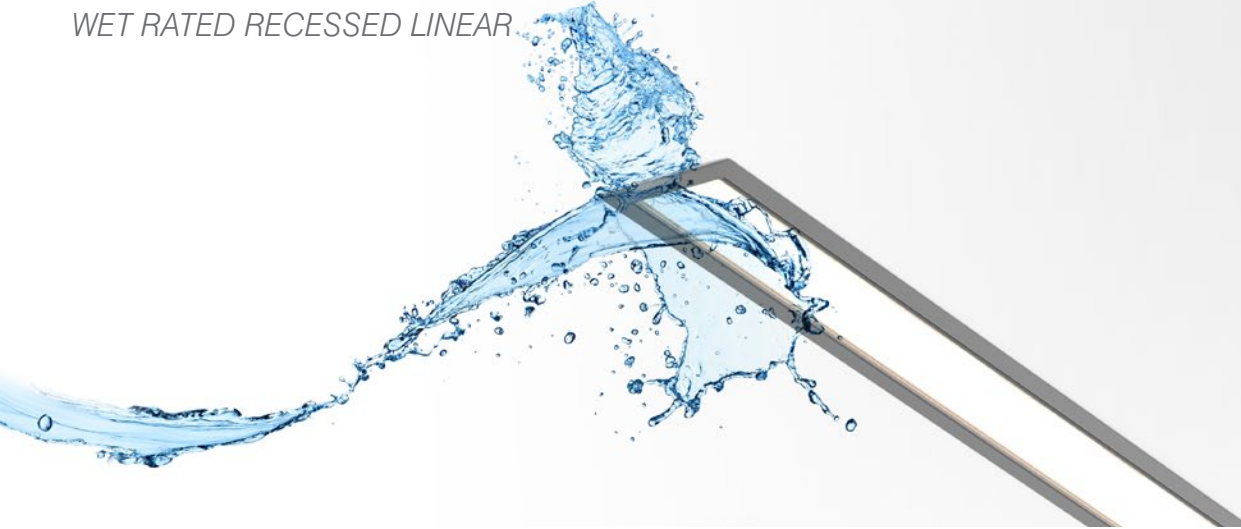


# VESTA 2 Wet

WET RATED RECESSED LINEAR



**Vesta 2 Wet - Wet Rated Recessed linear LED.** The Vesta 2 Wet offers powerful light in a clean, recessed format. Vesta 2 Wet features a symmetrical, high-performance, wet-rated frosted lens, illuminating the lens surface evenly with no shadows or dark spots. With integrated drivers and controls, this fixture is easy to install and widely applicable.

## Ordering Code

Fixture

Driver

## Product Specifications

**SAMPLE:** Fixture **366 - 90 - 12 - 27 - 25 - 01 - 04** | Driver **DMX - 120 - DB - 01 - 4**

1 - Model	2 - CRI	3 - Length	4 - CCT	5 - Lens	6 - Finish	7 - Direct Lm
<b>366</b> · Vesta 2 Wet	<b>90</b> · 90+	<b>2</b> · 25.25" <b>4</b> · 47.75" <sup>**5</sup> <b>6</b> · 70.25" <sup>**5</sup> <b>8</b> · 92.75"	<b>27</b> · 2700K <b>30</b> · 3000K <b>35</b> · 3500K <b>40</b> · 4000K	<b>25</b> · Frosted Wet Rated <b>35</b> · Frosted Asymmetric <sup>*4</sup>	<b>01</b> · White <b>02</b> · Black <b>08</b> · Silver <b>XX</b> · Custom	<b>04</b> · 400 lm/ft (3.8 W) <b>06</b> · 566 lm/ft (5.7 W) <b>08</b> · 843 lm/ft (9.4 W) <b>10</b> · 1034 lm/ft (12 W)

1 - Driver	Dim Level	Dim Level	2 - Voltage	3 <sup>*3</sup> - Mounting	4 - LED Control
<b>STD/LCS</b> · 0 - 10 Volt dim option incl.	1%	<b>LUT2W</b> · 2 Wire for phase <sup>*1</sup>	<b>120</b> · 120V	<b>DB</b> · Drywall Bracket	<b>01</b> · Standard switching
<b>ELDOLC</b> · EldoLED 0 - 10 Volt	0.1%	<b>DMX</b> · SENSO	<b>277</b> · 277V		<b>20</b> · Emergency wiring
<b>DALI</b> · Dalı Protocol	0.1%	<b>CSMB</b> · Casambi Wireless Control	<b>347</b> · 347V <sup>*2</sup>		<b>21</b> · Emergency Battery Back-Up (4 foot section)
<b>LUTES</b> · Hilume Ecodigital	1%				

5 - Direct Lm
Same as Fixture

\*1 120V only  
\*2 Not available in Eldo, Lutron and DMX  
\*3 See page two for more details  
\*4 Asymmetric Direct Lumen limited to **04/06/08** (wattages doubled)  
\*5 **21 - Emergency Battery Back-up** not available

Project : \_\_\_\_\_  
Quantity : \_\_\_\_\_  
Type : \_\_\_\_\_  
Notes : \_\_\_\_\_

# VESTA 2 Wet

WET RATED RECESSED LINEAR

## Light Engine

<b>High Efficacy :</b>	Up to 170 lumen/Watt
<b>Color Options (CCT) :</b>	2700K, 3000K, 3500K, 4000K, and Color Tuning
<b>Color Consistency :</b>	3-step MacAdam Ellipse
<b>Color rendering (CRI) :</b>	90+

Vesta 2 Wet features a high-output, high-efficacy light engine - without any compromise. Class-leading efficiency at over 100lm/W keeps running costs low, while 50,000-hour (LM-80) lumen maintenance guarantees a sustainable design. Color rendering options are available up to 90+ CRI, along with color consistency within a three-step MacAdam ellipse. Every Vesta undergoes a multi-step test and burn-in procedure before shipping, ensuring the superior level of quality SENS0 is known for.

## Dimming Option

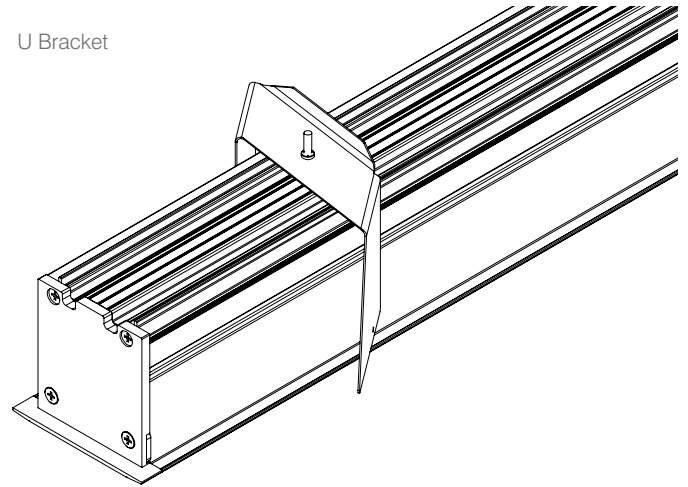
<b>Protocol:</b>	0-10V DALI LUTRON
------------------	-------------------------

<b>Level:</b>	From 0.1% to 10%
---------------	------------------

The Vesta combines high output with limitless possibilities of control. Dimming down to 0.1% is also available in Lutron (120-277V) and Dali systems (120-277V).

## Mounting Option

U Bracket



## Installation

- Factory assembled for easy and fast installation
- Standard 7/8" knock out provided on top of the fixture

## Construction

- Powder coated in white, black or silver
- Custom finish are available
- Housing: Aluminum extrusion
- Made in Canada

# VESTA 2 Wet

WET RATED RECESSED LINEAR

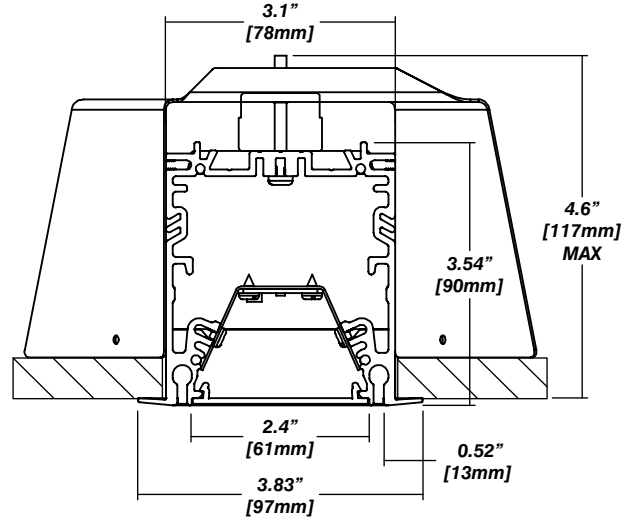
## Vesta 2 Wet Cut Lengths

Vesta 2 Wet Rated end cap will add 1.25" (32mm) to total length, 0.62" (15.7mm) per side.

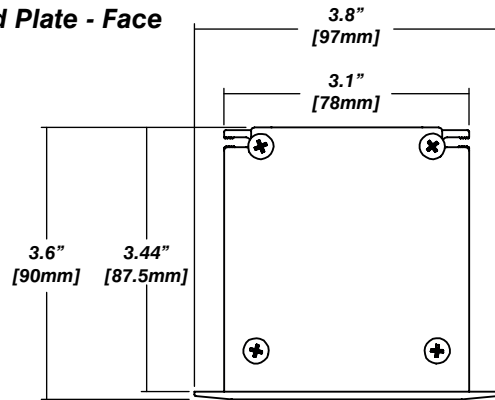
CODE	FIXTURE LENGTH*7	Feet	2	4	6	8	10	12
A	24"							
B (4)	46.5"							
C (6)	69"							
D (8)	91.5"							

## Dimensions

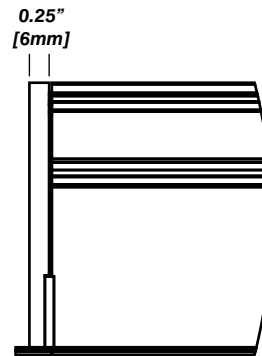
### Extrusion



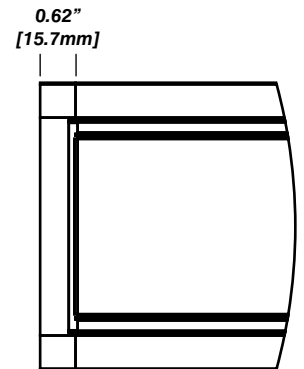
### End Plate - Face



### End Plate - Side



### End Plate - Bottom



## Photometrics

SENSO's in-house photometric testing ensures that our lighting design can match your needs precisely. Our Goniophotometer and testing lab produces on-demand photometry files based on any specified fixture, including LM-79 Test reports, IES Files, and CRI/CCT measurements. See [sensolighting.com](http://sensolighting.com) for more information.

\*Full photometric Reports and IES files available for every configuration

## Zonal Lumen Summary

Zone	Lumens	%Fixt
0-20	528.37	15.50
0-30	1085.53	31.90
0-40	1709.34	50.30
0-60	2806.23	82.60
0-80	3352.15	98.60
0-90	3398.12	100.00
10-90	3258.52	95.90
20-40	1180.97	34.70
20-50	1777.92	52.30
40-70	1453.16	42.80
60-80	545.92	16.10
70-80	189.65	5.60
80-90	45.97	1.40
90-110	0.56	0.00
90-120	0.57	0.00
90-130	0.57	0.00
90-150	0.57	0.00
90-180	0.57	0.00
110-180	0.01	0.00
0-180	3398.69	100.00

## Luminance DATA (cd/sq.m)

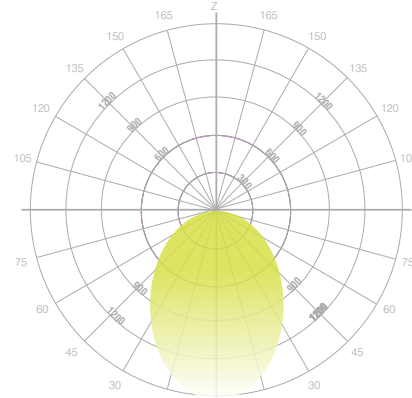
Angle in °	Average 0°	Average 45°	Average 90°
45	1633	17494	18653
55	14387	15594	16807
65	12589	13662	14754
75	10484	11188	11811
85	7096	6899	6301

## IES Indoor Report Coefficients of utilization - zonal cavity method

Effective Floor Cavity Reflectance 0.20

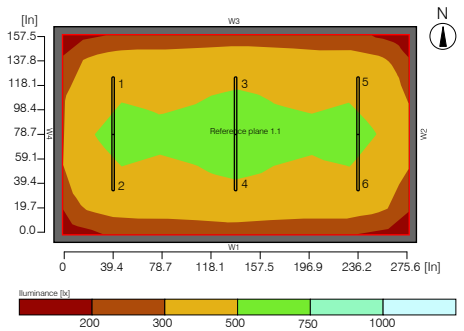
RC	80				70				50				30				10				0
RW	70	50	30	10	70	50	30	10	50	30	10	50	30	10	50	30	10	50	30	10	0
0	119	119	119	119	116	116	116	116	111	111	111	106	106	106	102	102	102	100	100	100	100
1	109	105	101	97	107	103	99	96	99	96	93	95	92	90	91	89	87	85	85	85	85
2	100	92	86	80	98	90	85	80	87	82	78	84	80	76	81	77	74	72	72	72	72
3	92	82	74	68	89	80	73	67	77	71	66	74	69	65	72	68	64	62	62	62	62
4	84	73	64	58	82	72	64	58	69	62	57	67	61	56	65	60	55	53	53	53	53
5	78	66	57	51	76	64	56	50	62	55	50	60	54	49	59	53	49	47	47	47	47
6	72	59	51	44	70	58	50	44	57	49	44	55	48	44	53	48	43	41	41	41	41
7	67	54	46	40	65	53	45	39	52	44	39	50	44	39	49	43	39	37	37	37	37
8	63	49	41	36	61	49	41	35	47	40	35	46	40	35	45	39	35	33	33	33	33
9	59	46	38	32	57	45	37	32	44	37	32	43	36	32	42	36	32	30	30	30	30
10	55	42	34	29	54	42	34	29	41	34	29	40	33	29	39	33	29	27	27	27	27

## Vesta Light Distribution



- Fixture: Vesta 48" [121.92 cm]
- Total Lumen Output: 3399 lm
- Wattage: 45 W
- Lumen per Watt: 75

## Vesta Performance Example



- Calculation algorithm used Average indirect fraction
- Height of luminaire plane 118.11" [3.00 m]
- Maintenance factor 31.5" [0.80 m]
- Total luminous flux of all lamps 20358 lm
- Total power 270.0 W
- Total power per area (28.00 m<sup>2</sup>) 9.64 W/m<sup>2</sup> (2.26 W/m<sup>2</sup>/100lx)

## Color Metrics

### TM 30-15

Our clients deserve the best information possible about their lighting choices. That's why SENSO has invested in the Illuminating Engineering Society (IES) TM 30-15, a new system that measures an LED light source's color rendering properties. Using SENSO's state-of-the-art goniophotometer, this method identifies the optimal light source for your project and helps evaluate the trade-offs between efficacy and color rendering. SENSO can provide TM 30-15 data for all of our products.

\*Full Color Metric Info Available at [sensolighting.com](http://sensolighting.com)