

# Teava - Installation Instructions

Model: TEA-

Please read all instructions prior to installation and keep for future reference!

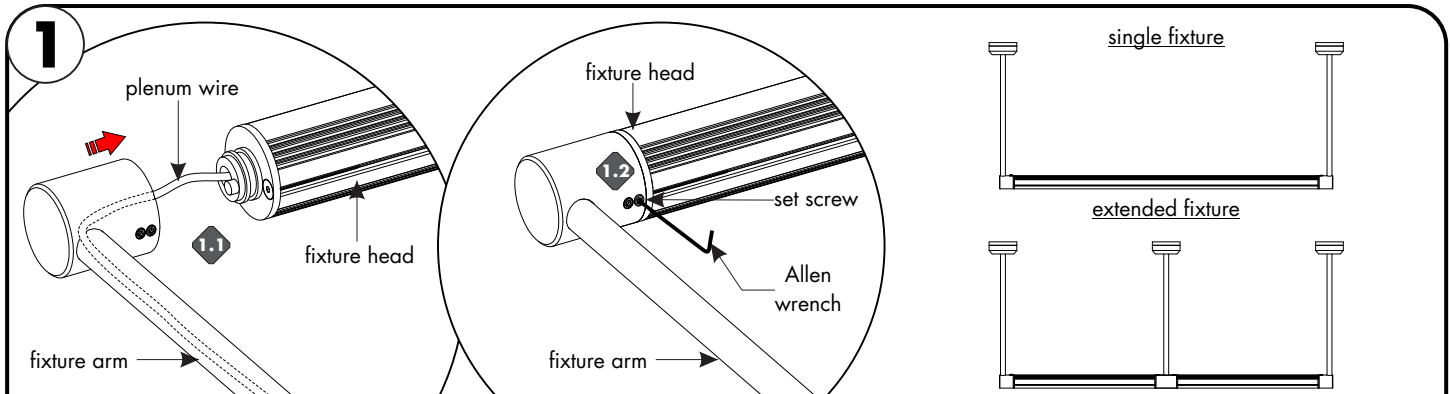
1. PRODUCT TO BE INSTALLED BY A QUALIFIED ELECTRICIAN.
2. USE ONLY WITH CLASS 2 POWER UNIT.
3. 24 VOLTS DC.
4. SUITABLE FOR DAMP LOCATIONS.
5. MORE THAN ONE PERSON IS RECOMMENDED FOR THIS INSTALLATION.



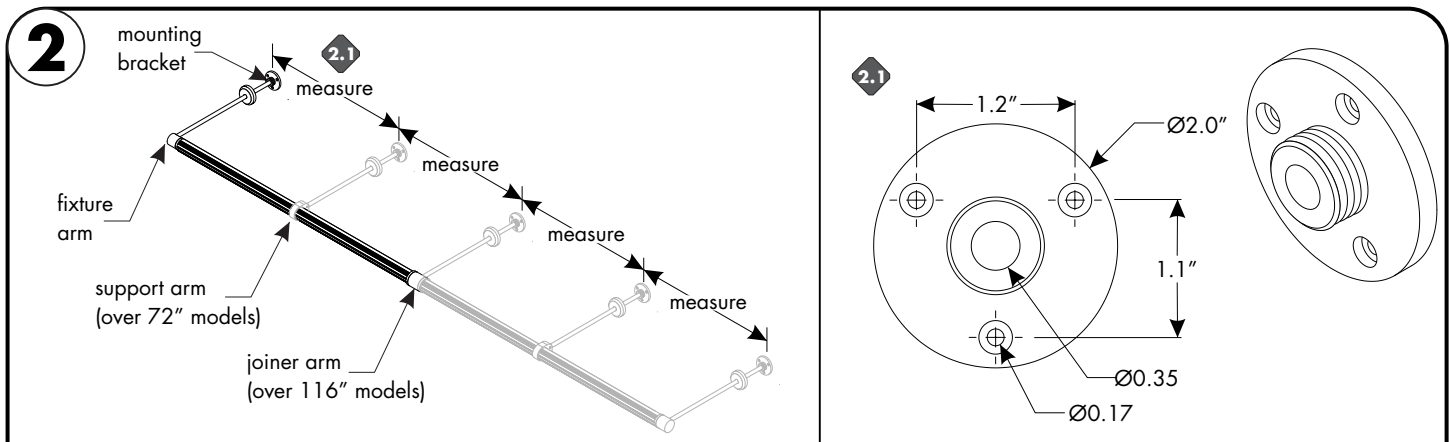
**luminii**

7777 Merrimac Ave  
Niles, IL 60714  
T 224.333.6033  
F 224.757.7557  
info@luminii.com  
www.luminii.com

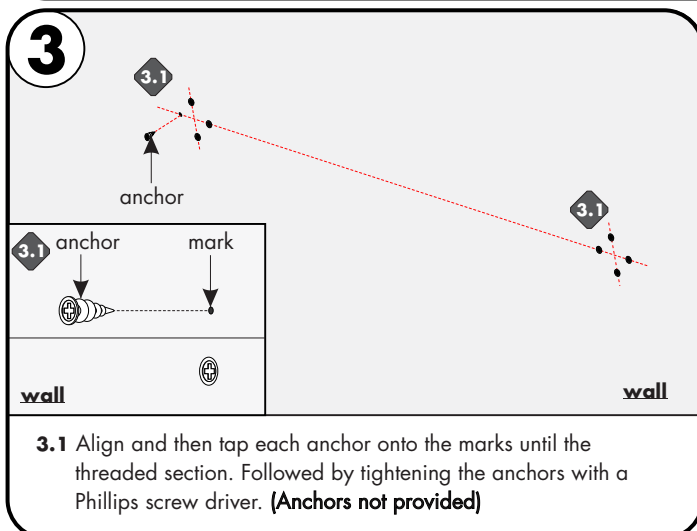
Page 1 of 2



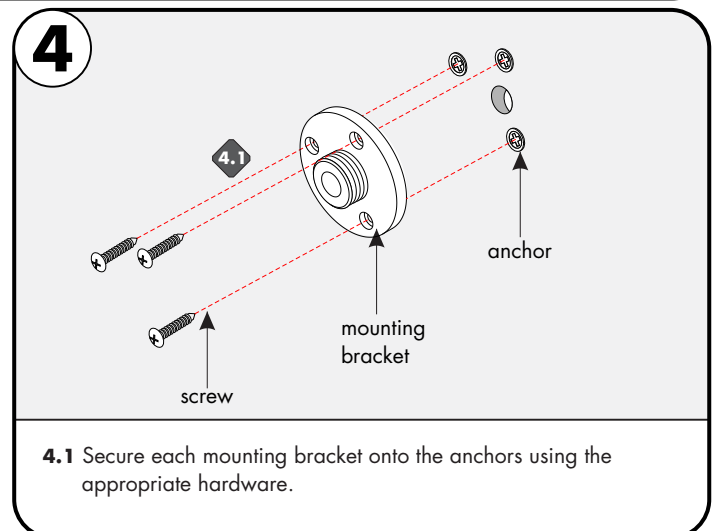
- 1.1 After removing the fixture from the packaging. Slightly pull on the plenum wire through the fixture arm to remove any slack.
- 1.2 Align the fixture arm endcap to the fixture head, make sure to rotate to the desired position. Then secure by tightening the set screw using the provided Allen wrench
- 1.3 Repeat for the remaining arm(s). Depending on the fixture type, it may come with additional arms for joiner.



- 2.1 Measure the distance from one mounting bracket to the next. Then mark these location to the wall. Use the reference detail of mounting bracket above, for any additional information.



- 3.1 Align and then tap each anchor onto the marks until the threaded section. Followed by tightening the anchors with a Phillips screw driver. **(Anchors not provided)**



- 4.1 Secure each mounting bracket onto the anchors using the appropriate hardware.

# Teava - Installation Instructions

Model: TEA-

**Please read all instructions prior to installation and keep for future reference!**

1. PRODUCT TO BE INSTALLED BY A QUALIFIED ELECTRICIAN.
2. USE ONLY WITH CLASS 2 POWER UNIT.
3. 24 VOLTS DC.
4. SUITABLE FOR DAMP LOCATIONS.
5. MORE THAN ONE PERSON IS RECOMMENDED FOR THIS INSTALLATION.



**luminii**

7777 Merrimac Ave  
Niles, IL 60714  
T 224.333.6033  
F 224.757.7557  
info@luminii.com  
www.luminii.com

Page 2 of 2

**5**

power wires to power supply

5.1

fixture support included with any fixture over 72"

5.1

power wires to power supply

5.2

cover

mounting bracket

fixture arm

**5.1** While holding the fixture, run the power feed wires through the mounting bracket. **Slide each fixture arm completely into its mounting bracket and secure by tightening the set screw.**

**5.2** Thread covers completely onto the mounting brackets.

**6**

**6.1** Connect +24 VDC red wire from the fixture to the power supply +24 VDC red wire with a wire nut. Connect -24VDC black wire from the fixture to power supply -24VDC black wire with a wire nut.

class II power supply

6.1

120 VAC

24 VDC

to fixture

+24 VDC RED

+24 VDC RED

-24 VDC BLACK

-24 VDC BLACK