

Stenos Downlight - Installation Instructions

Models SD-3, SD-5, SD-12

Please read all instructions prior to installation and keep for future reference!

1. PRODUCT TO BE INSTALLED BY A QUALIFIED ELECTRICIAN.
2. USE ONLY WITH CLASS 2 POWER UNIT
3. 24 VOLTS DC
4. TYPE IC, INHERENTLY PROTECTED
5. SUITABLE FOR WET LOCATION (COVERED CEILING)
6. AIRTIGHT PER ASTM E283

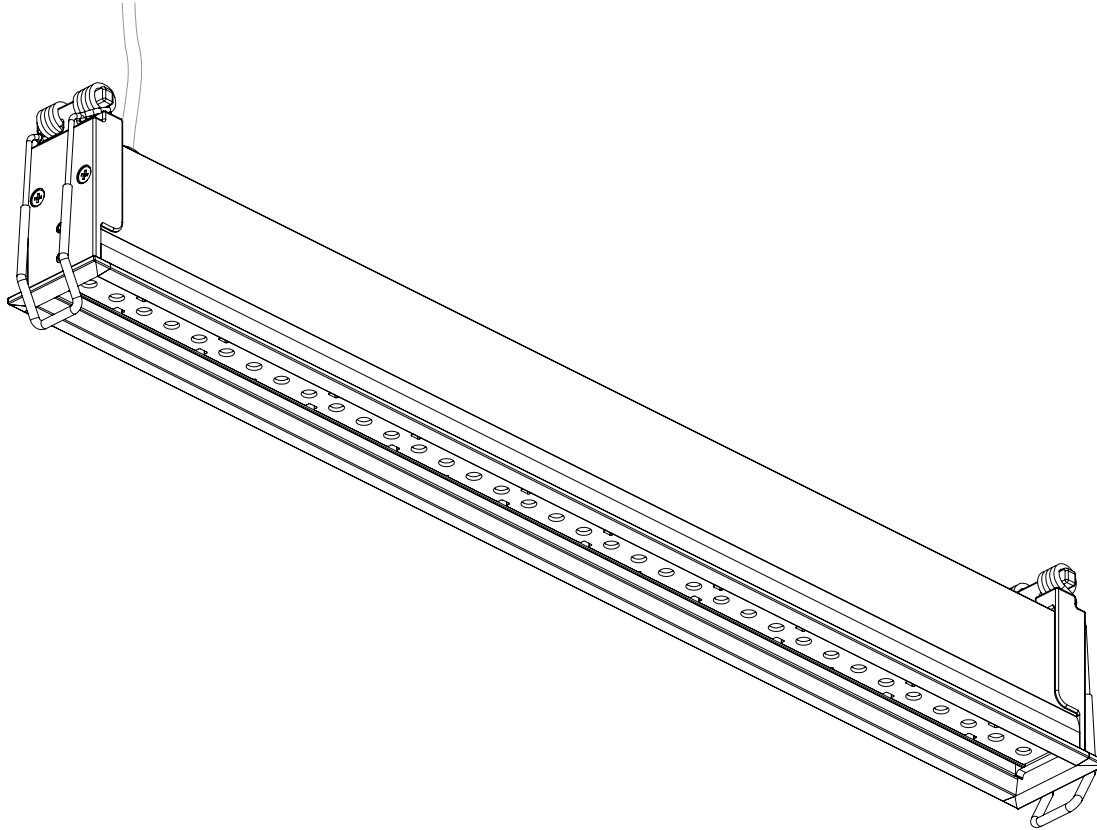


REVO.7
12052023

1 / 5



7777 Merrimac Ave
Niles, IL 60714
T 224.333.6033
F 224.757.7557
info@luminii.com
www.luminii.com



12" Stenos Downlight

Instruction page index:

Retrofit Installation	2
New Install Installation	3-4
Additional Information	5

Stenos Downlight - Installation Instructions

Models SD-3, SD-5, SD-12



7777 Merrimac Ave
Niles, IL 60714
T 224.333.6033
F 224.757.7557
info@luminii.com
www.luminii.com

REV.07
12052023

2 / 5

Please read all instructions prior to installation and keep for future reference!

1. PRODUCT TO BE INSTALLED BY A QUALIFIED ELECTRICIAN.
2. USE ONLY WITH CLASS 2 POWER UNIT
3. 24 VOLTS DC
4. TYPE IC, INHERENTLY PROTECTED
5. SUITABLE FOR WET LOCATION (COVERED CEILING)
6. AIRTIGHT PER ASTM E283

Mounting Method 1: Retrofit Install

Note: Retrofit installations are ideal for re-modeling existing ceiling structure.

- 1.1 Once the desired location is determined, place the retrofit plate onto ceiling. Followed by fastening screws into the plate holes. If aligning multiple retrofit plates to a surface, use the alignment tabs as a guide to help keep things aligned.
- 1.2 Using a spiral saw (cutout tool) or utility knife trace the inside rectangle shape. Followed by knocking out that section. Then remove and discard the retrofit plate.

Note: For airtight requirements add a small amount of silicone sealant all along the inside of the recessed flange

- 2.1 Run the fixture lead wires through the cutout slot, to the remote power supply. Follow the conductor color coding. Reference power supply instruction for additional information.
- 2.2 Rotate the fixture spring clips into the top position, to allow fixture to slide through the cutout slot. Followed by carefully releasing spring clips and push the fixture completely into the slot. If necessary make any surface or paint imperfection prior to installation.

Conductor Color Code:

Static White
Red = 24VDC Positive (+)
Black = Negative (-)

Dynamic White
Red = Common 24VDC Positive (+)
Black = Warm White Negative (-)
White = Cool White Negative (-)

FOR AIRTIGHT REQUIREMENTS

silicone sealant

Stenos Downlight - Installation Instructions

Models SD-3, SD-5, SD-12

Please read all instructions prior to installation and keep for future reference!

1. PRODUCT TO BE INSTALLED BY A QUALIFIED ELECTRICIAN.
2. USE ONLY WITH CLASS 2 POWER UNIT
3. 24 VOLTS DC
4. TYPE IC, INHERENTLY PROTECTED
5. SUITABLE FOR WET LOCATION (COVERED CEILING)
6. AIRTIGHT PER ASTM E283



REVO.7
12052023

3 / 5



7777 Merrimac Ave
Niles, IL 60714
T 224.333.6033
F 224.757.7557
info@luminii.com
www.luminii.com

Mounting Method: Plaster Frame Hanger Bar Plate Installation

1

ceiling joist

plaster plate

alignment tab

screw

adjustable hanger bars

adjustable 16.0" - 24.0"

Note: Plaster frame plate installation are ideal for new construction installs.

1.1 Align the plaster plate adjustable arms to the ceiling joist, followed by fastening a screw to each arm. The adjustable arms can be spread apart from 16.0" to 24.0". If aligning multiple plaster plates to a surface, use the alignment tabs as a guide to help keep things aligned.

2 SURFACE

ceiling joist

plaster frame plate

cutout tool

Cable hook

Note: Prior to surface installation, run all remote power supply wires to the cable hook, located on the back of the plaster frame plate. For easy access afterwards. Make sure wires aren't too close to the fixture opening to avoid damaging wires in step 2.2

2.1 Install the 1/2" - 5/8" surface to the ceiling joist.

2.2 Using a spiral saw (cutout tool) or utility knife cut around the plaster plate trim. Followed by knocking out that surface section.

Stenos Downlight - Installation Instructions

Models SD-3, SD-5, SD-12



7777 Merrimac Ave
Niles, IL 60714
T 224.333.6033
F 224.757.7557
info@luminii.com
www.luminii.com

Please read all instructions prior to installation and keep for future reference!

1. PRODUCT TO BE INSTALLED BY A QUALIFIED ELECTRICIAN.
2. USE ONLY WITH CLASS 2 POWER UNIT
3. 24 VOLTS DC
4. TYPE IC, INHERENTLY PROTECTED
5. SUITABLE FOR WET LOCATION (COVERED CEILING)
6. AIRTIGHT PER ASTM E283

REV.0.7
12052023

4 / 5

Mounting Method: Plaster Frame Hanger Bar Plate Installation

3

Conductor Color Code:

Static White
Red = 24VDC Positive (+)
Black = Negative (-)

Dynamic White
Red = Common 24VDC Positive (+)
Black = Warm White Negative (-)
White = Cool White Negative (-)

3.1 Run the fixture lead wires through the cutout slot, to the remote power supply. Reference power supply instruction for additional information.

3.2 Rotate the fixture spring clips into the top position, to allow fixture to slide through the cutout slot. Followed by carefully releasing spring clips and push the fixture completely into the slot. If necessary make any surface or paint imperfection prior to installation.

Note: For airtight requirements add a small amount of silicone sealant all along the inside of the recessed flange

Stenos Downlight - Installation Instructions

Models SD-3, SD-5, SD-12



7777 Merrimac Ave
Niles, IL 60714
T 224.333.6033
F 224.757.7557
info@luminii.com
www.luminii.com

Please read all instructions prior to installation and keep for future reference!

1. PRODUCT TO BE INSTALLED BY A QUALIFIED ELECTRICIAN.
2. USE ONLY WITH CLASS 2 POWER UNIT
3. 24 VOLTS DC
4. TYPE IC, INHERENTLY PROTECTED
5. SUITABLE FOR WET LOCATION (COVERED CEILING)
6. AIRTIGHT PER ASTM E283

REVO.7
12052023

5 / 5

Mounting Method: Plaster Frame Hanger Bar Plate Installation

