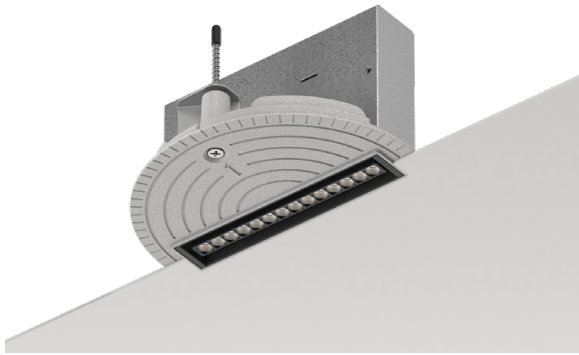


Features



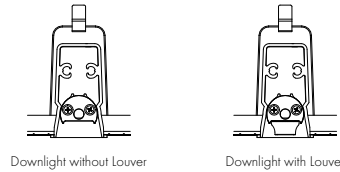
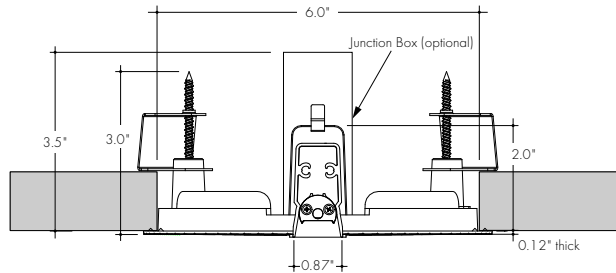
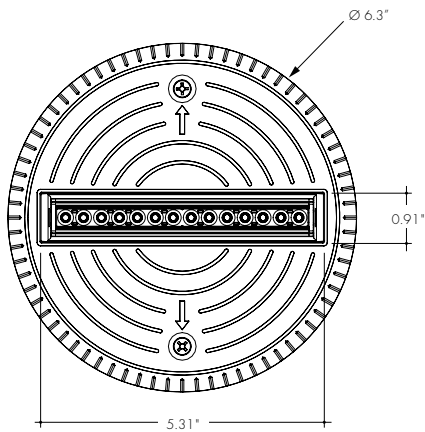
- Flawless beam quality from a unique micro-linear form factor
- Narrow 15° TIR native beam is aimable +/- 30°
- Louvers available for 15°, 30°, and 60° beams
- Snap-on optics available to easily adjust beam angle in the field
- For ceiling thicknesses from 0.5" up to 1.25"
- LED Module is field serviceable from below the ceiling.
- 24VDC Class 2
- Wet Rated
- Wall Wash optic provides even illumination starting from the top of the wall to the bottom
- Wall Wash recommended spacing is 2ft from the wall and 2ft on-center
- Fixture is IC rated and does not require a housing or pan.

Finish Options

- Black Painted
- White Painted



Product Dimensions



Technical Information

OUTPUT	SO				
OPTIC	15	LV15	LV30	LV60	WW
Lumen Output (3000K)	546 lm	334 lm	348 lm	270 lm	275 lm
Beam Spread (FWHM)	14°	14°	28°	58°	Asymmetric
Center Beam Intensity (CBCP)	3288 cd	3026 cd	1086 cd	333 cd	N/A
Power Consumption	5.4 W				
Efficacy	101 lm/W	62 lm/W	64 lm/W	50 lm/W	51 lm/W
Aesthetic	Regressed Baffle	Louver			Wall Wash Optic

CCT	Multiplier (reference - 3000K)	CRI	TM-30		
			R _f	R _g	R ₉
2700K	0.96	93	93	98	56
3000K	1.00	94	91	97	60
3500K	1.07	94	92	99	63
4000K	1.11	92	91	99	59

Ordering Code | Directional Module

MODEL	LENGTH	CCT	OUTPUT	OPTIC	FINISH
SLD - Stenos Trimless Linear Downlight	5-5.3"	27K-2700K 30K-3000K 35K-3500K 40K-4000K	SO - Standard	15-15° Optic LV15-15° Louver ^{1,2} LV30-30° Louver and Optic ² LV60-60° Louver and Optic ² WW - Wall Wash Optic LU - 15° Bullseye Louver ³ EL - 15°x 45° Elliptical Lens ⁴	BK - Black

1 - LV15° Louver reduces glare while maintaining 90% of CBCP when compared to standard 15° optic
 2 - Use a 0.5 multiplier for lumen output.
 3 - LU Bullseye Louver reduces glare while maintaining 75% of CBCP. Use a 0.35 multiplier for lumen output. Only available in BK Black.
 4 - Use a 0.85 multiplier for lumen output with EL Elliptical Lens. Only available in BK Black.

Ordering Code | Accessories

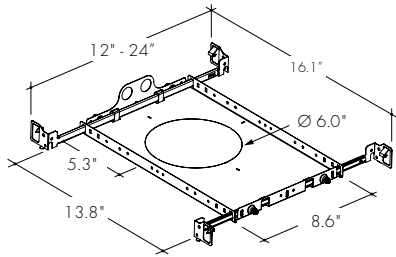
MODEL	ACCESSORY	LENGTH	FINISH
SAC - Stenos Accessory	LV15-15° Louver LV30-30° Louver and Optic LV60-60° Louver and Optic WW - Wall Wash Optic ¹ LU - 15° Bullseye Louver ¹ EL - 15°x 45° Elliptical Lens ¹	5-5.3"	BK - Black WH - White

1 - WW Wall Wash, LU Bullseye Louver, and EL Elliptical Lens only available in BK Black.

Mounting Options (optional)

RMP-5-L-R

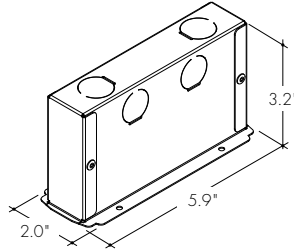
Recessed New Construction Mounting Pan, 5" Trimless Linear Downlight



Includes Hanger Bar set (PF-HB-ALL), extendable from 14" to 24". Knock-outs are Ø0.875".

JB-5L

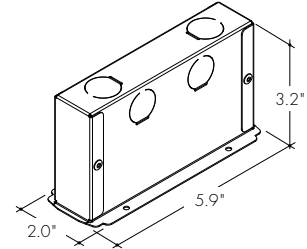
Junction Box 5" Trimless Linear Downlight



Junction box for wire termination and to create an Airtight enclosure.

JB-5L-CP

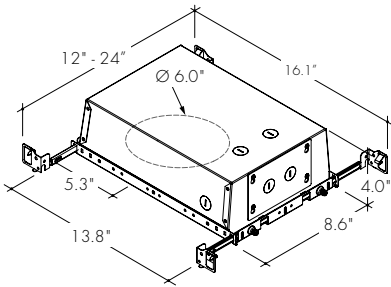
Chicago Plenum Junction Box, 5" Trimless Linear Downlight



Junction box for wire termination and to create a Chicago Plenum rated enclosure.

RHI-5-L-R

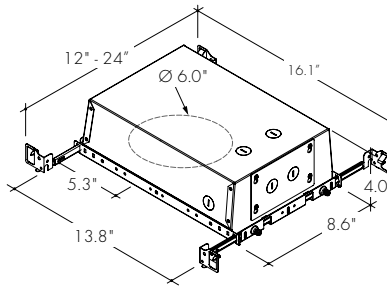
Recessed New Construction Housing, IC Rated, 5" Trimless Linear Downlight



Includes Hanger Bar set (PF-HB-ALL), extendable from 14" to 24". Knock-outs are Ø0.875". Can be used for spray foam insulation.

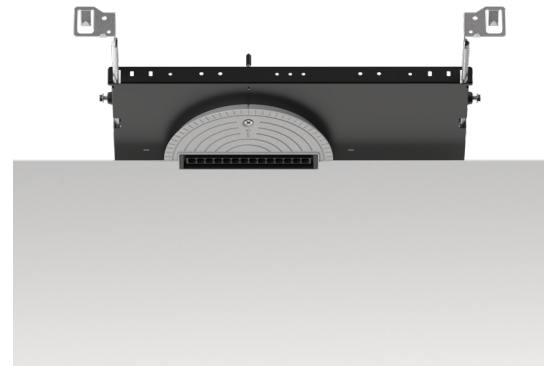
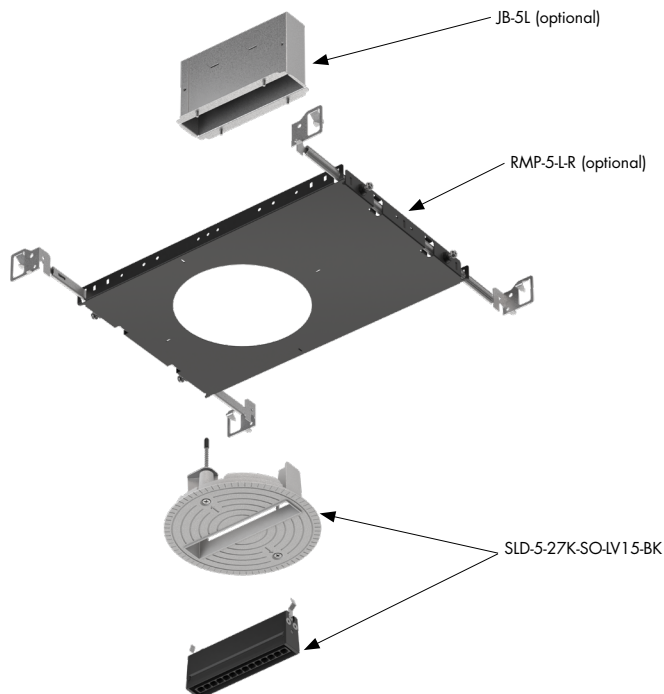
RHC-5-L-R

Recessed New Construction Housing, Chicago Plenum Rated 5" Trimless Linear Downlight



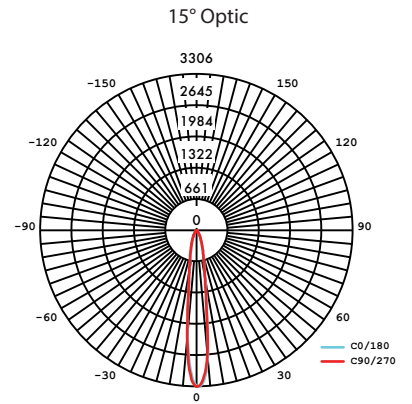
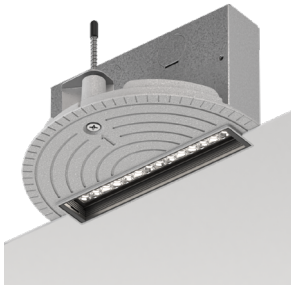
Includes Hanger Bar set (PF-HB-ALL), extendable from 14" to 24". Knock-outs are Ø0.875". Can be used for spray foam insulation.

Components

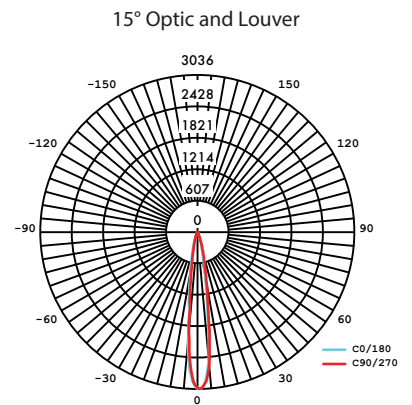


Photometry

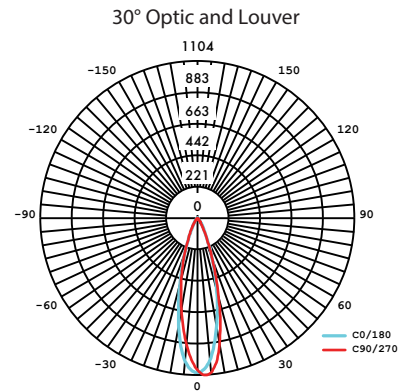
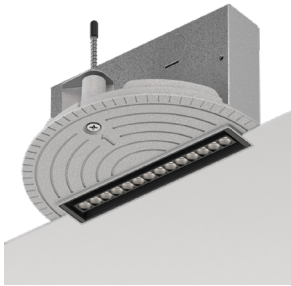
SLD-5-30K-SO-15-BK/WH



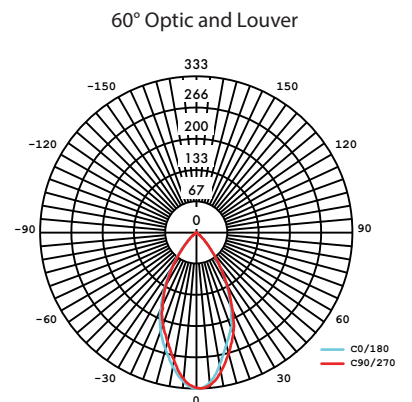
SLD-5-30K-SO-LV15-BK/WH



SLD-5-30K-SO-LV30-BK/WH

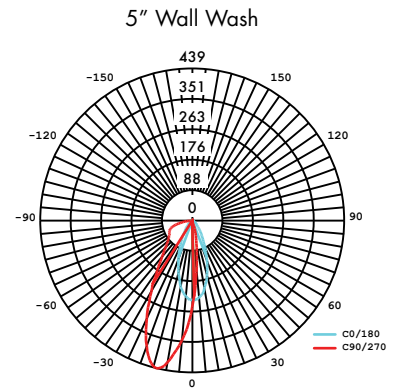
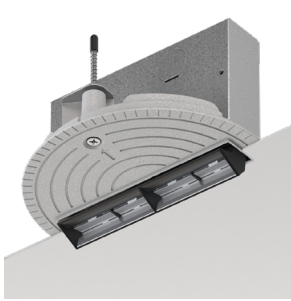


SLD-5-30K-SO-LV60-BK/WH

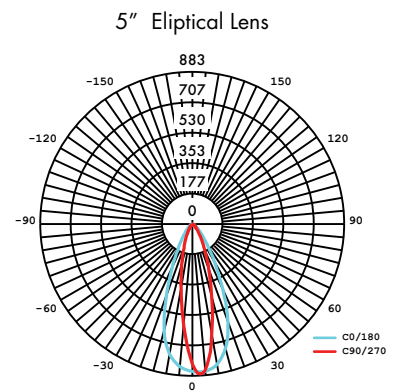
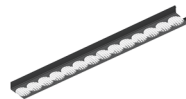
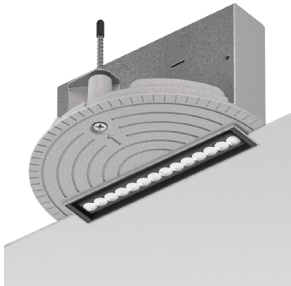


Photometry

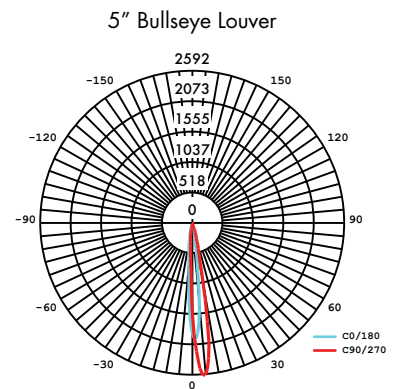
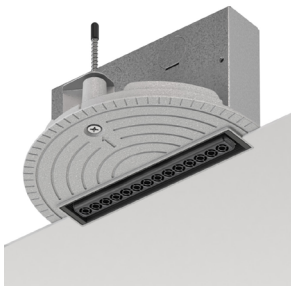
SLD-5-30K-SO-WW-BK/WH



SLD-5-30K-SO-EL-BK/WH



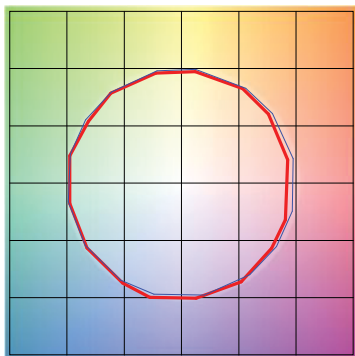
SLD-5-30K-SO-LU-BK/WH



TM-30-15-Data

27K CCT

Color Vector Graphic



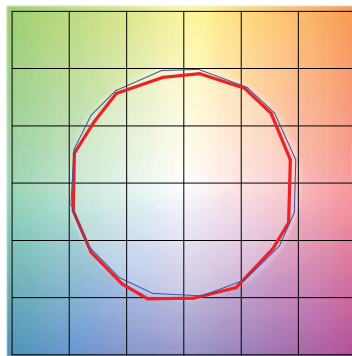
Test — (red line)
Reference — (blue line)

Graphic Shifts (%)

Hue Bin	Rf	Chroma	Hue
1	89.9	-5.0%	0.1%
2	92.9	-3.1%	1.7%
3	93.7	-1.9%	2.2%
4	96.3	-2.2%	-0.2%
5	96.2	-1.7%	1.5%
6	96.3	-0.5%	1.1%
7	95.4	-2.6%	-0.3%
8	96.7	0.4%	1.8%
9	96.1	-1.0%	1.8%
10	94.6	0.0%	2.7%
11	95.6	1.2%	3.1%
12	90.5	3.4%	-2.9%
13	89.1	1.2%	-7.6%
14	86.8	1.0%	-9.8%
15	91.1	-2.8%	-3.6%
16	85.7	-4.5%	-8.6%

30K CCT

Color Vector Graphic



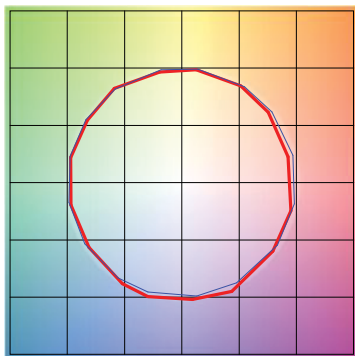
Test — (red line)
Reference — (blue line)

Graphic Shifts (%)

Hue Bin	Rf	Chroma	Hue
1	89.2	-4.7%	1.2%
2	93.0	-2.6%	1.4%
3	94.6	-1.7%	1.3%
4	93.3	-3.5%	-1.7%
5	92.1	-6.1%	0.1%
6	95.0	-2.3%	0.9%
7	89.6	-5.4%	2.6%
8	89.6	-0.9%	3.4%
9	89.6	-0.8%	6.0%
10	89.6	0.8%	6.4%
11	90.5	3.1%	5.0%
12	88.8	5.6%	-3.3%
13	89.1	0.5%	-7.5%
14	86.1	1.5%	-10.1%
15	86.3	-3.3%	-5.3%
16	84.5	-3.1%	-9.9%

35K CCT

Color Vector Graphic



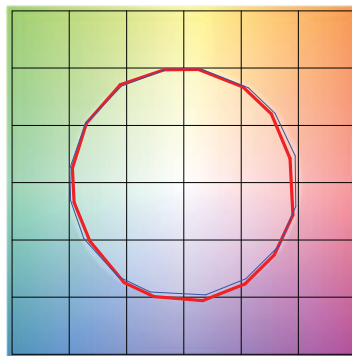
Test — (red line)
Reference — (blue line)

Graphic Shifts (%)

Hue Bin	Rf	Chroma	Hue
1	90.9	-4.5%	-0.4%
2	93.4	-2.7%	1.7%
3	92.4	-1.2%	3.2%
4	95.7	-0.9%	1.2%
5	94.8	-1.6%	1.4%
6	96.9	1.0%	0.4%
7	95.8	-1.5%	-0.3%
8	97.3	-0.6%	0.9%
9	94.9	-1.4%	2.5%
10	91.4	-1.3%	4.7%
11	89.2	2.3%	5.9%
12	90.0	4.0%	0.7%
13	92.5	2.2%	-4.2%
14	88.2	3.6%	-7.8%
15	89.0	-0.5%	-6.6%
16	87.4	-1.6%	-6.6%

40K CCT

Color Vector Graphic

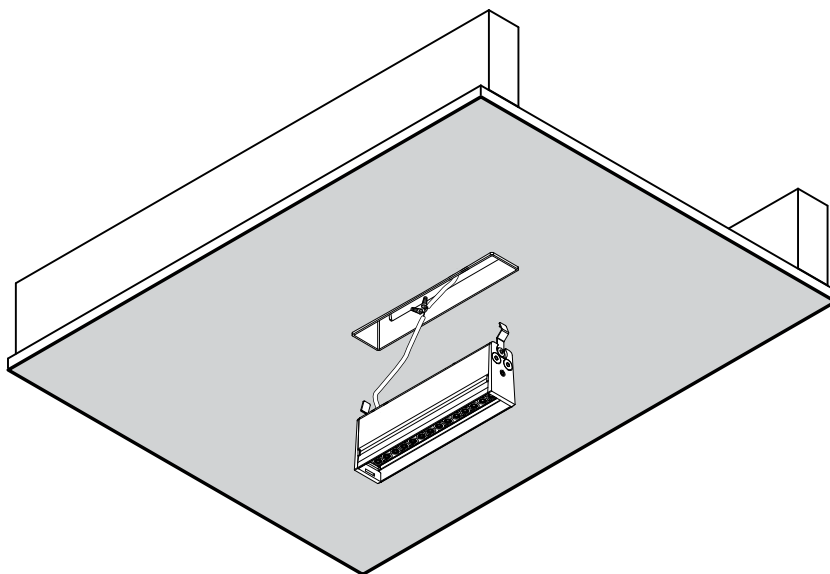


Test — (red line)
Reference — (blue line)

Graphic Shifts (%)

Hue Bin	Rf	Chroma	Hue
1	90.1	-4.9%	-1.3%
2	93.4	-3.0%	1.5%
3	90.0	-2.0%	4.3%
4	94.1	-0.6%	2.7%
5	93.6	-0.2%	2.2%
6	96.4	1.6%	0.2%
7	97.0	-0.7%	-1.1%
8	95.2	-2.0%	-0.5%
9	93.8	-2.7%	2.1%
10	89.7	-3.3%	4.7%
11	87.1	1.6%	7.4%
12	89.0	3.4%	3.8%
13	90.8	4.3%	-3.5%
14	93.2	3.4%	-3.1%
15	87.0	0.8%	-8.6%
16	86.0	-1.0%	-7.9%

Field Serviceability



Power Supplies

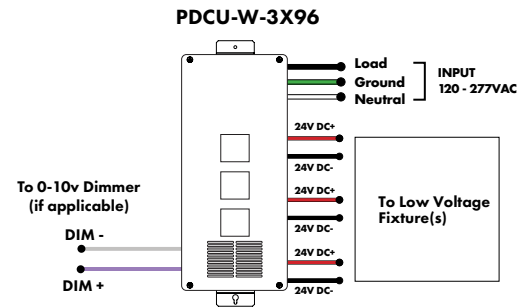
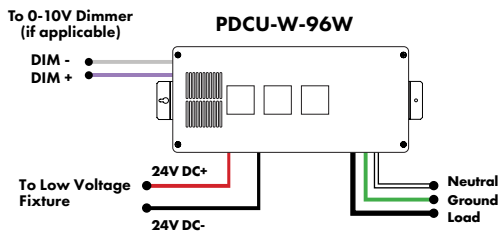
See Power Supply instructions and spec sheet for wiring information. For a complete list of compatible dimmers, see Compatible Dimming Chart on the Resources page.

Universal Power Supply 1% 120VAC - 277VAC

MODEL	POWER	OUTPUT
PDCU-W-IP66 Wet Series	30-30 W 60-60 W 96-96 W 3X96-3X96 W	24-24 VDC

0-10V dims down to 1%, MLV/ELV/TRIAC dims down to 1%.
For a complete list of compatible dimmers, see [Compatible Dimming Chart](#) on the Resources page.

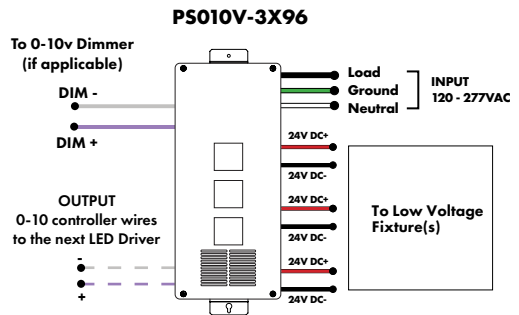
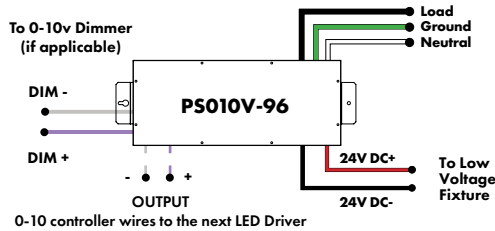
MODELS	PDCU-W 96W	PDCU-W 3X96W	PDCU-W 30W	PDCU-W 60W
Length	8.66"	11.85"	6.50"	7.40"
Width	3.73"	4.32"	3.73"	3.73"
Depth	1.61"	1.81"	1.61"	1.61"



0-10V Dimming Power Supplies 0.1% 120VAC - 277VAC

MODEL	POWER	OUTPUT	DIMMING
PS010V-0-10V Power Supply dims down to 0.1%	96-96 Watt 3X96-3 X 96 Watt	24-24 VDC	LIN-Linear LOG-Logarithmic

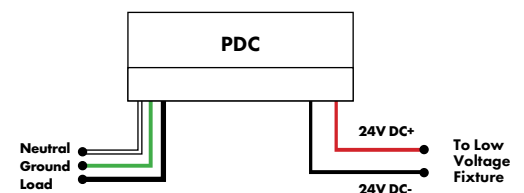
MODELS	96W	3X96
Length	14.40"	15.75"
Width	5.20"	6.62"
Depth	2.60"	4.95"



Triac, MLV, ELV, & PWM Compatible Dimmers

MODEL	POWER	OUTPUT
PDC - (IP20) Power Supply	96 - 96 Watts	24 - 24 VDC

MODELS	96W
Length	8.25"
Width	4.10"
Depth	1.56"



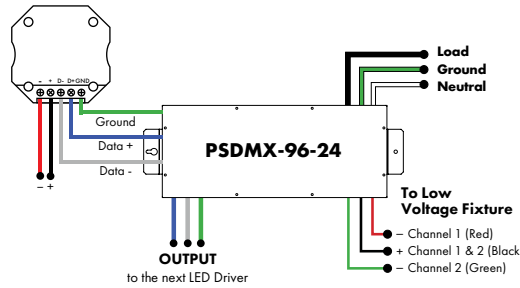
Power Supplies

See Power Supply instructions and spec sheet for wiring information. For a complete list of compatible dimmers, see Compatible Dimming Chart on the Resources page.

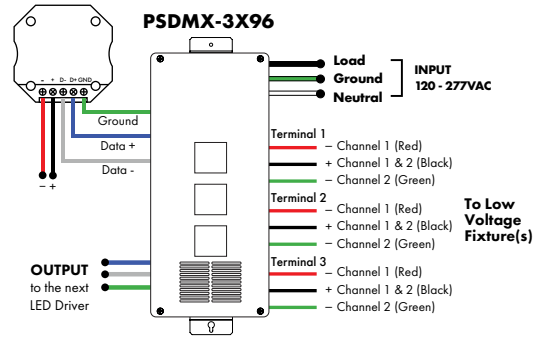
DMX Dimming Power Supplies 120VAC - 277VAC

MODEL	POWER	OUTPUT
PSDMX-DMX Power Supply dims down to 0%	96-96 Watt 3X96-3 X 96 Watt	24-24 VDC

Features eldoLED's LINEARdrive configurable dimmable drivers



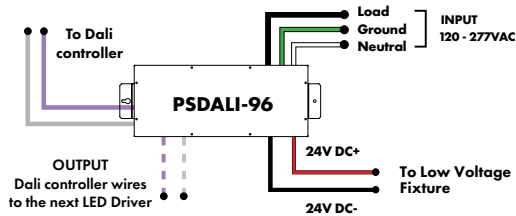
MODELS	96W	3X96
Length	14.40"	15.75"
Width	5.20"	6.62"
Depth	2.60"	4.95"



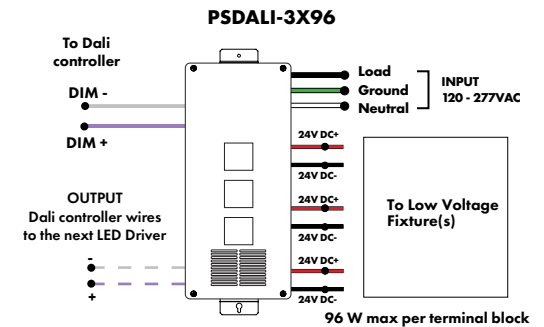
DALI 0% Dimming Power Supplies 120VAC - 277VAC

MODEL	POWER	OUTPUT
PSDALI-DALI Power Supply dims down to 0%	96-96 Watt 3X96-3 X 96 Watt	24-24 VDC

Features eldoLED's LINEARdrive configurable dimmable drivers



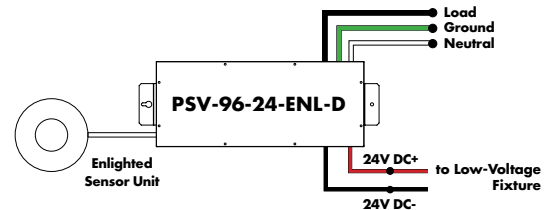
Model	96W	3X96
Length	14.40"	15.75"
Width	5.20"	6.62"
Depth	2.60"	4.95"



Enlighted Enabled Dimming Power Supplies 120VAC - 277VAC

MODEL	POWER	OUTPUT	DIMMING	LOCATION
PSV - PSV Series	96 - 96 Watt	24 - 24 VDC	ENL - Enlighted Dimming dims down to 0%	D - Damp

Model	96W
Length	14.40"
Width	5.20"
Depth	2.60"



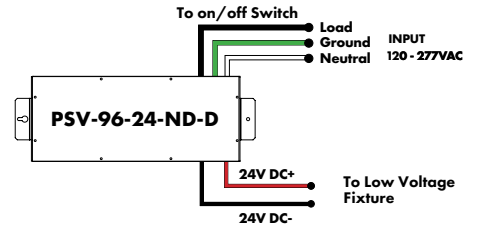
Power Supplies

See Power Supply instructions and spec sheet for wiring information. For a complete list of compatible dimmers, see Compatible Dimming Chart on the Resources page.

Non-Dimming Power Supply 120VAC - 277VAC

MODEL	POWER	OUTPUT	DIMMING	LOCATION
PSV - PSV Series	96 - 96 Watt	24 - 24 VDC	U2ND - Non Dimming	D - Damp

MODELS	96W
Length	14.40"
Width	5.20"
Depth	2.60"



LUTRON[®]

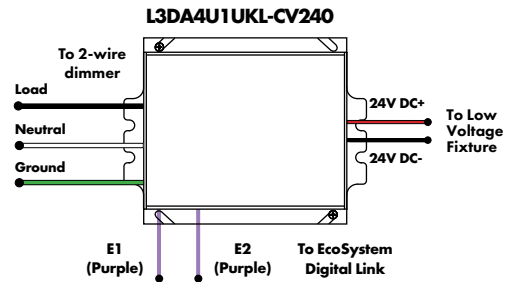
Luminii is a Lutron OEM Advantage Partner

Lutron Power Supplies 1%

MODEL
L3DA4U1UKL-CV240

HiLume™ 1% EcoSystem Voltage LED driver 40W max

MODELS	L3DA4U1UKL-CV240
Length	4.98"
Width	4.00"
Depth	2.62"



LUTRON[®]

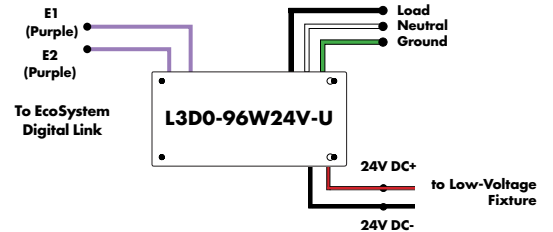
Luminii is a Lutron OEM Advantage Partner

Lutron Power Supplies 0.1%

MODEL
L3D0-96W24V-U

HiLume™ 0.1% EcoSystem Voltage LED Driver with Soft-On, Fade-to-Black™ 96W max

MODELS	L3D0
Length	10.50"
Width	5.50"
Depth	2.00"



In-Ground Power Supplies

MODEL	POWER	OUTPUT	INPUT
IG - In ground CVE Series	CVE - ELV Dimming DALI - eidoLED Dali dimming Both dims down to 0%	96X2 - 2 X 96 Watt	24 - 24 VDC
			Blank - 120 V 277 - 240/277 V

MODELS	Dual Circuit
Length	8.40"
Width	8.30"
Depth	8.10"

