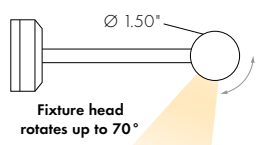
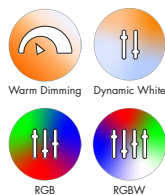




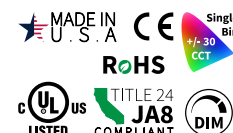
Features

- 24VDC Class 2 fixtures made to order up to 232".
- Approved for closet/storage space installation per NEC 410.16(A)(3) and 410.16(C)(5)
- Class two listed for damp locations.
- Dot free even illumination with frosted lens
- Proprietary strong bond solder method handles up to 50 lbs of pull force on wire leads and connectors.
- Dynamic White allows individual control of CCT and output
- Warm Dim follows the incandescent dimming curve and is compatible with MLV, ELV, and Incandescent dimmers.
- RGB options offer balanced output across the color gamut and a true white with RGBW
- Smart Pixel offerings allow for infinite color combinations with cascading and chasing effects
- 5 year warranty



Finish Options (see page 2 for additional information)

- Silver Anodized
- Black
- Bronze
- White
- Matte Black
- Warm Nickel
- Aged Brass
- Polished Gold
- Chrome



Technical Information

TYPE	Warm Dim	Dynamic White		RGBW		RGB		Pixel	
OUTPUT OPTIONS	WD68SO (19K-27K)	DW60X2HO (27K-65K)	DW60X2VHO (27K-65K)	RGBW36SO	RGBW36HO	RGB42SO	RGB42HO	RGBWX18SO	RGBX18SO
Lumens Output (all channels full on) (with a Clear Lens)	226 lm/ft	441 lm/ft	558 lm/ft	138 lm/ft	228 lm/ft	136 lm/ft	200 lm/ft	166 lm/ft	110 lm/ft
Average Power Consumption (for a 4' section)	5.4 W/ft	7.3 W/ft	9.4 W/ft	4 W/ft	7.6 W/ft	4.5 W/ft	8.3 W/ft	5.7 W/ft	4.5 W/ft
Efficacy	42 lm/W	60 lm/W	59 lm/W	35 lm/W	30 lm/W	30 lm/W	24 lm/W	29 lm/W	24 lm/W
Max Run Length (in series)	20 ft	26 ft	13 ft	26 ft	13 ft	28 ft	13 ft	20 ft	30 ft
Max Ambient Temperature*	50°C [122°F]	50°C [122°F]		50°C [122°F]				50°C [122°F]	
Control/Dimming Protocol	MLV, ELV, Inc.	0-10V, DMX		DMX				SPI Protocol UCS 2904	SPI Protocol UCS 2903

*Max Ambient Temperature to maintain L70 of 50k+ hours. Exceeding Max Ambient Temperature may result in decreased life/output. Consult Technical Support for specific inquiries.

Warm Dim (WD68)

CCT	CRI	TM-30		
		R _f	R _g	R ₉
1900K	96	92	96	94
2400K	97	96	103	98
2700K	96	93	106	95

Dynamic White (DW60X2)

CCT	CRI	TM-30		
		R _f	R _g	R ₉
1900K	97	94	98	95
2700K	98	96	101	91
2900K	98	96	102	94
3500K	97	94	105	97
4100K	95	91	104	79
4400K	97	91	101	97
6500K	92	88	97	64

RGBW (3000K)

Tape	CRI	TM-30		
		R _f	R _g	R ₉
RGBW36	95	93	106	84
RGBWX18	93	91	99	64

DW60X2	
CCT	Multiplier
19K - 65K	1.00
19K - 35K	0.78

Dominant Wavelength

Color	RGB42/RGBW36	RGBX18/RGBWX18
Red	620nm	621nm
Green	525nm	519nm
Blue	467nm	465nm

Ordering Code

MODEL	LENGTH ¹	OUTPUT	CCT	LENS ²	MOUNTING	FINISH ³
RUNW-Runda Wall	12"-120" 3" increments	WD68SO-Standard	19K27K-1900K-2700K	C-Clear F-Frosted	4-4" Arm Length 6-6" Arm Length 12-12" Arm Length	SA-Silver Anodized BK-Black BZ-Bronze WH-White MBK-Matte Black WN-Warm Nickel AB-Aged Brass PG-Polished Gold ⁴ CH-Chrome ⁴
	12"-232" 2" increments	DW60X2HO-High DW60X2VHO-Very High	19K35K-1900K-3500K 27K65K-2700K-6500K			
	12"-232" 2" increments	RGBW36SO-Standard RGBW36HO-High RGB42SO-Standard RGB42HO-High	CLR-Color			
	12"-232" 4" increments	RGBWX18SO-Standard RGBX18SO-Standard	PXSPI-Smart Pixel Control			

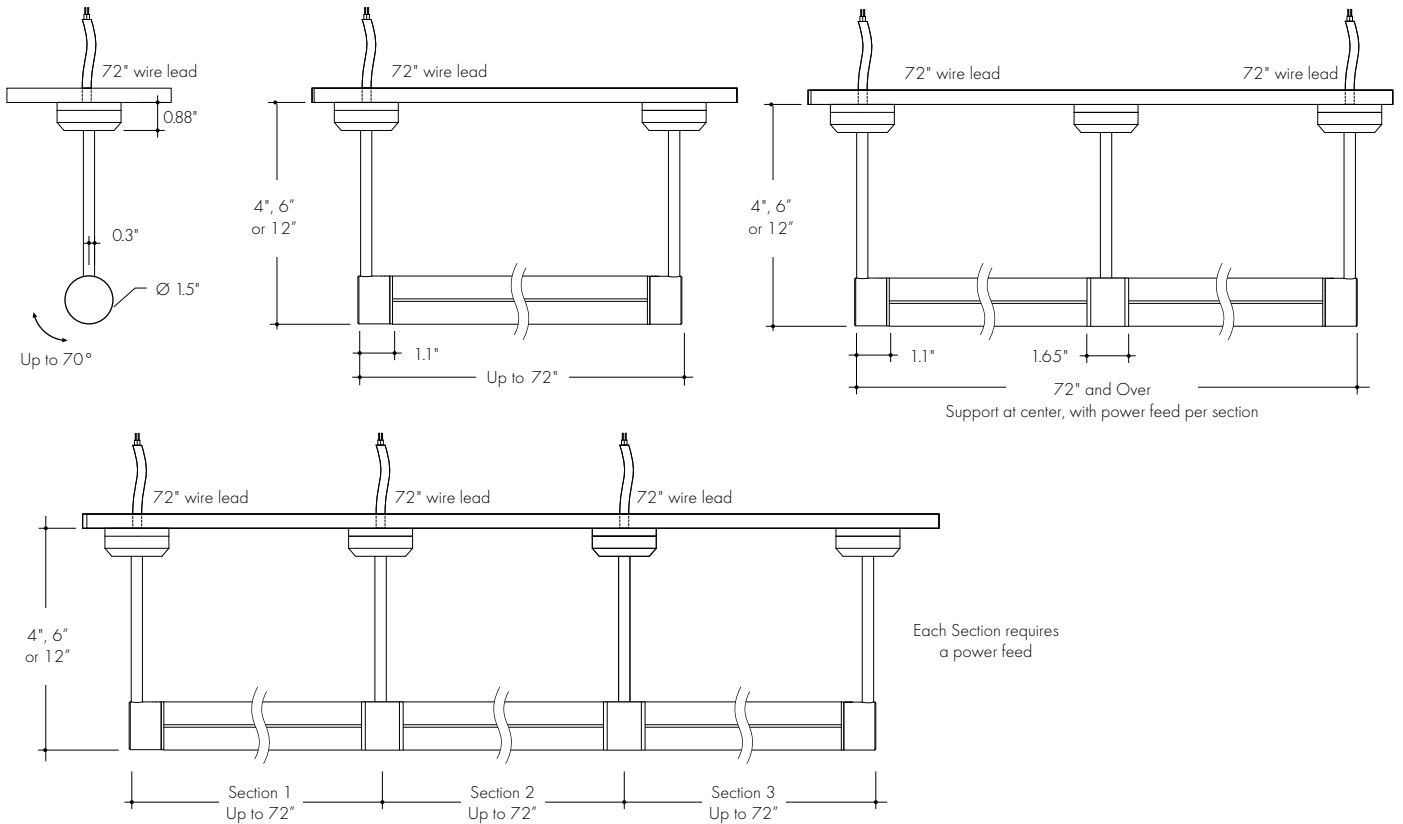
1 - Custom lengths and increments are available, please consult Inside Sales with specific request.

2 - Dynamic White options can be used to comply with Title 24 JAS8 at max brightness depending on Lens selection, see multiplier charts to calculate specific efficacy.

3 - Non SA finishes may have extended lead times. Custom RALs are available, please consult Inside Sales with specific request

4 - Polished Gold finishes have a maximum section length of 48", and Chrome finishes have a maximum section length of 72".

Product Dimensions



Finish Options

- Finish options are available in a wide variety, allowing for complete customization of style and aesthetic.
- Non Silver Anodized finishes may have extended lead times.
- Polished Gold finish has a maximum fixture length of 48" and Chrome finish has a maximum fixture length of 72".
- Custom RALs are available, please consult Inside Sales with specific request.

Silver Anodized



Silver Anodized is a soft silver with a clear finish.

Black



Black is a true deep black with a glossy finish.

Bronze



Bronze is a rich, dark brown with a satin finish.

White



White is a polar bright white and field paintable.

Matte Black



Matte Black is a dark, pitch-black with a soft flat finish.

Warm Nickel



Warm Nickel is a soft, silvery smoke with warm tones and a satin finish.

Aged Brass



Aged Brass is a deep brown shade with slightly golden undertones.

Polished Gold



Polished Gold is bright and radiant for a brilliant finish.

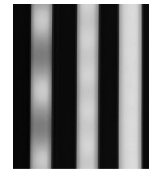
Chrome



Chrome is a highly reflective silver polish.

Lens Option / Light Transmission

Output Options	Lens/Accessory	
	Clear Lens	Frosted Lens
WD68SO - 27K	CD	ND
WD68SO - 19K	CD	ND
DW60X2HO (All On)	CD	ND
DW60X2HO (1-Channel)	CD	ND
DW60X2VHO (All On)	CD	ND
DW60X2VHO (1-Channel)	CD	ND
RGBW36SO	CD	ND
RGBW36HO	CD	ND
RGB42SO	CD	ND
RGB42HO	CD	ND
RGBWX18SO	CD	SD
RGBX18SO	CD	SD
Transmission Percentage	100%	63%



CD **SD** **ND**
CD - Clear Dotting
SD - Slight Dotting
ND - No Dotting

Power Consumption

Tested at Full Power with PDC Series power supplies.
 Standard Nominal Lengths offered provide minimal shadowing. For alternate lengths, please consult Inside Sales with specific request.

Warm Dim (WD68)

Nominal Length (in)	Actual Length	Watts	Nominal Length (in)	Actual Length	Watts	Nominal Length (in)	Actual Length	Watts
		SO			SO			SO
12	10 9/16	3.4	47	–	–	82	81 15/16	33.9
13	–	–	48	47 7/16	20.0	83	–	–
14	13	4.6	49	–	–	84	–	–
15	–	–	50	49 15/16	21.0	85	84 6/16	34.8
16	15 8/16	5.8	51	–	–	86	–	–
17	–	–	52	–	–	87	86 13/16	35.7
18	17 15/16	6.9	53	52 6/16	22.0	88	–	–
19	–	–	54	–	–	89	–	–
20	–	–	55	54 14/16	23.0	90	89 5/16	36.7
21	20 6/16	8.0	56	–	–	91	–	–
22	–	–	57	–	–	92	91 12/16	37.6
23	22 14/16	9.1	58	57 5/16	24.1	93	–	–
24	–	–	59	–	–	94	–	–
25	–	–	60	59 12/16	25.1	95	94 4/16	38.6
26	25 5/16	10.2	61	–	–	96	–	–
27	–	–	62	–	–	97	96 11/16	39.6
28	27 13/16	11.3	63	62 4/16	26.1	98	–	–
29	–	–	64	–	–	99	–	–
30	–	–	65	64 11/16	27.1	100	99 2/16	40.5
31	30 4/16	12.3	66	–	–	101	–	–
32	–	–	67	–	–	102	101 10/16	41.4
33	32 11/16	13.4	68	67 2/16	28.0	103	–	–
34	–	–	69	–	–	104	–	–
35	–	–	70	69 10/16	29.0	105	104 1/16	42.2
36	35 3/16	14.5	71	–	–	106	–	–
37	–	–	72	–	–	107	106 8/16	43.0
38	37 10/16	15.6	73	72 1/16	30.0	108	–	–
39	–	–	74	–	–	109	109	43.9
40	–	–	75	74 9/16	30.9	110	–	–
41	40 1/16	16.7	76	–	–	111	–	–
42	–	–	77	77	32.0	112	111 7/16	44.8
43	42 9/16	17.8	78	–	–	113	–	–
44	–	–	79	–	–	114	113 14/16	45.8
45	–	–	80	79 7/16	33.1	115	–	–
46	45	18.9	81	–	–	116	–	–

Power Consumption

Tested at Full Power with PDC Series power supplies.
Standard Nominal Lengths offered provide minimal shadowing. For alternate lengths, please consult Inside Sales with specific request.

Dynamic White (DW60X2)

Nominal Length (in)	Actual Length	Watts		Nominal Length (in)	Actual Length	Watts		Nominal Length (in)	Actual Length	Watts	
		HO	VHO			HO	VHO			HO	VHO
12	11 10/16	7.7	10.4	47	46 12/16	24.4	35.3	82	81 15/16	43.1	58.1
13	–	–	–	48	–	–	–	83	–	–	–
14	13	7.7	10.4	49	48 3/16	25.0	36.0	84	83 5/16	43.6	58.6
15	14 7/16	7.7	10.4	50	49 9/16	25.5	36.7	85	84 12/16	44.5	59.7
16	15 13/16	8.4	11.2	51	51	26.6	38.1	86	–	–	–
17	–	–	–	52	–	–	–	87	86 2/16	44.9	60.2
18	17 4/16	9.1	12.1	53	52 6/16	27.1	38.8	88	87 9/16	45.4	60.8
19	18 10/16	9.8	12.9	54	53 13/16	28.2	40.2	89	88 15/16	46.2	61.9
20	–	–	–	55	–	–	–	90	–	–	–
21	20 1/16	11.1	14.6	56	55 3/16	28.7	40.9	91	90 6/16	46.6	62.5
22	21 7/16	11.8	15.4	57	56 10/16	29.2	41.6	92	91 12/16	47.3	63.7
23	22 14/16	13.1	17.1	58	–	–	–	93	–	–	–
24	–	–	–	59	58	30.3	42.9	94	93 3/16	47.7	64.3
25	24 4/16	13.8	18.0	60	59 7/16	30.8	43.6	95	94 9/16	48.1	64.9
26	25 11/16	14.5	18.8	61	60 13/16	31.8	45.0	96	96	48.9	66.0
27	–	–	–	62	–	–	–	97	–	–	–
28	27 1/16	15.8	20.5	63	62 4/16	32.4	45.7	98	97 6/16	49.2	66.6
29	28 8/16	16.2	21.3	64	63 10/16	32.9	46.4	99	98 13/16	50.0	67.8
30	29 14/16	16.9	22.8	65	–	–	–	100	–	–	–
31	–	–	–	66	65 1/16	34.0	47.8	101	100 3/16	50.4	68.3
32	31 5/16	17.2	23.6	67	66 7/16	34.6	48.4	102	101 10/16	50.9	68.7
33	32 11/16	17.9	25.2	68	67 14/16	35.8	49.7	103	–	–	–
34	–	–	–	69	–	–	–	104	103	51.7	69.6
35	34 2/16	18.3	26.0	70	69 4/16	36.4	50.4	105	104 7/16	52.2	70.1
36	35 8/16	18.6	26.8	71	70 11/16	37.0	51.0	106	105 13/16	53.0	71.0
37	36 15/16	19.3	28.3	72	–	–	–	107	–	–	–
38	–	–	–	73	72 1/16	38.1	52.4	108	107 4/16	53.5	71.5
39	38 5/16	19.7	29.1	74	73 8/16	38.7	53.0	109	108 10/16	53.9	71.9
40	39 12/16	20.6	30.6	75	74 14/16	39.9	54.3	110	–	–	–
41	–	–	–	76	–	–	–	111	110 1/16	54.7	72.9
42	41 2/16	21.1	31.2	77	76 5/16	40.3	54.9	112	111 7/16	55.2	73.3
43	42 9/16	21.7	31.9	78	77 11/16	41.3	55.9	113	112 14/16	56.2	74.5
44	43 15/16	22.8	33.3	79	–	–	–	114	–	–	–
45	–	–	–	80	79 2/16	41.7	56.5	115	114 4/16	56.7	75.1
46	45 6/16	23.3	34.0	81	80 8/16	42.2	57.0	116	115 11/16	57.2	75.6

Power Consumption

Tested at Full Power with PDC Series power supplies.

Standard Nominal Lengths offered provide minimal shadowing. For alternate lengths, please consult Inside Sales with specific request.

RGB/RGBW (RGB42/RGBW36)

Nominal Length (in)	Actual Length	Watts				Nominal Length (in)	Actual Length	Watts				Nominal Length (in)	Actual Length	Watts			
		RGBW36		RGB42				RGBW36		RGB42				RGBW36		RGB42	
		SO	HO	SO	HO			SO	HO	SO	HO			SO	HO	SO	HO
12	11 1/16	4.0	7.3	4.4	8.6	47	46 8/16	13.8	26.3	16.0	29.9	82	81 15/16	25.4	48.4	28.8	52.6
13	-	-	-	-	-	48	-	-	-	-	-	83	-	-	-	-	-
14	13	4.0	7.3	4.4	8.6	49	48 7/16	14.4	27.5	16.8	31.3	84	83 14/16	26.1	49.6	29.4	53.8
15	15	4.0	7.3	4.4	8.6	50	-	-	-	-	-	85	-	-	-	-	-
16	-	-	-	-	-	51	50 7/16	15.1	28.8	17.5	32.7	86	85 14/16	26.8	50.8	30.0	55.0
17	16 15/16	4.5	8.5	5.2	10.0	52	-	-	-	-	-	87	-	-	-	-	-
18	-	-	-	-	-	53	52 6/16	15.8	30.0	18.3	34.0	88	87 13/16	27.4	51.9	30.7	56.2
19	18 15/16	5.1	9.7	5.9	11.3	54	-	-	-	-	-	89	-	-	-	-	-
20	-	-	-	-	-	55	54 6/16	16.4	31.2	18.9	35.1	90	89 13/16	28.0	52.9	31.4	57.3
21	20 14/16	5.6	10.9	6.7	12.6	56	-	-	-	-	-	91	-	-	-	-	-
22	-	-	-	-	-	57	56 5/16	17.0	32.4	19.6	36.3	92	91 12/16	28.6	53.8	32.2	58.4
23	22 14/16	6.2	12.1	7.4	13.9	58	-	-	-	-	-	93	-	-	-	-	-
24	-	-	-	-	-	59	58 5/16	17.6	33.5	20.3	37.5	94	93 12/16	29.2	54.8	32.9	59.5
25	24 13/16	6.7	13.3	8.2	15.2	60	-	-	-	-	-	95	-	-	-	-	-
26	-	-	-	-	-	61	60 4/16	18.2	34.7	21.0	38.7	96	95 11/16	29.9	55.8	33.6	60.5
27	26 13/16	7.3	14.5	8.9	16.6	62	-	-	-	-	-	97	-	-	-	-	-
28	-	-	-	-	-	63	62 4/16	18.9	35.9	21.7	39.8	98	97 11/16	30.2	56.3	34.0	61.1
29	28 12/16	8.0	15.7	9.6	18.0	64	-	-	-	-	-	99	-	-	-	-	-
30	-	-	-	-	-	65	64 3/16	19.5	37.1	22.4	41.1	100	99 10/16	30.8	57.2	34.7	62.2
31	30 12/16	8.6	17.0	10.4	19.4	66	-	-	-	-	-	101	-	-	-	-	-
32	-	-	-	-	-	67	66 3/16	20.2	38.4	23.2	42.4	102	101 10/16	31.3	57.9	35.4	63.4
33	32 11/16	9.3	18.2	11.1	20.7	68	-	-	-	-	-	103	-	-	-	-	-
34	-	-	-	-	-	69	68 2/16	20.8	39.7	24.0	43.7	104	103 9/16	31.9	58.6	36.0	64.7
35	34 11/16	9.7	18.8	11.5	21.4	70	-	-	-	-	-	105	-	-	-	-	-
36	-	-	-	-	-	71	70 2/16	21.5	41.0	24.7	45.1	106	105 9/16	32.4	59.3	36.7	65.9
37	36 10/16	10.3	20.0	12.2	22.8	72	-	-	-	-	-	107	-	-	-	-	-
38	-	-	-	-	-	73	72 1/16	22.1	42.3	25.5	46.4	108	107 8/16	32.9	60.0	37.3	67.2
39	38 10/16	11.0	21.3	13.0	24.2	74	-	-	-	-	-	109	-	-	-	-	-
40	-	-	-	-	-	75	74 1/16	22.8	43.5	26.3	47.8	110	109 8/16	33.5	60.7	38.0	68.4
41	40 9/16	11.7	22.5	13.7	25.6	76	-	-	-	-	-	111	-	-	-	-	-
42	-	-	-	-	-	77	76	23.5	44.8	26.9	49.0	112	111 7/16	34.0	61.4	38.6	69.7
43	42 9/16	12.4	23.8	14.5	27.0	78	78	24.1	46.0	27.6	50.2	113	-	-	-	-	-
44	-	-	-	-	-	79	-	-	-	-	-	114	113 7/16	34.8	62.6	39.3	70.5
45	44 8/16	13.1	25.0	15.2	28.5	80	79 15/16	24.8	47.2	28.2	51.4	115	-	-	-	-	-
46	-	-	-	-	-	81	-	-	-	-	-	116	115 6/16	35.6	63.8	39.9	71.4

Power Consumption

Tested at Full Power with PDC Series power supplies.

Standard Nominal Lengths offered provide minimal shadowing. For alternate lengths, please consult Inside Sales with specific request.

PIXEL (RGBX18/RGBWX18)

Nominal Length (in)	Actual Length	Watts		Nominal Length (in)	Actual Length	Watts		Nominal Length (in)	Actual Length	Watts	
		RGBX18	RGBWX18			RGBX18	RGBWX18			RGBX18	RGBWX18
		SO	SO			SO	SO			SO	SO
12	11 1/16	4.6	5.7	47	46 8/16	16.0	20.1	82	81 15/16	28.4	35.5
13	–	–	–	48	–	–	–	83	–	–	–
14	–	–	–	49	–	–	–	84	–	–	–
15	15	4.6	5.7	50	–	–	–	85	–	–	–
16	–	–	–	51	50 7/16	17.4	21.9	86	85 14/16	29.8	37.1
17	–	–	–	52	–	–	–	87	–	–	–
18	–	–	–	53	–	–	–	88	–	–	–
19	18 15/16	6.1	7.5	54	–	–	–	89	–	–	–
20	–	–	–	55	54 6/16	18.9	23.7	90	89 13/16	31.1	38.7
21	–	–	–	56	–	–	–	91	–	–	–
22	–	–	–	57	–	–	–	92	–	–	–
23	22 14/16	7.6	9.4	58	–	–	–	93	–	–	–
24	–	–	–	59	58 5/16	20.3	25.4	94	93 12/16	32.4	40.3
25	–	–	–	60	–	–	–	95	–	–	–
26	–	–	–	61	–	–	–	96	–	–	–
27	26 13/16	9.1	11.3	62	–	–	–	97	–	–	–
28	–	–	–	63	62 4/16	21.7	27.1	98	97 11/16	33.4	41.6
29	–	–	–	64	–	–	–	99	–	–	–
30	–	–	–	65	–	–	–	100	–	–	–
31	30 12/16	10.6	13.2	66	–	–	–	101	–	–	–
32	–	–	–	67	66 3/16	23.0	28.8	102	101 10/16	34.6	43.2
33	–	–	–	68	–	–	–	103	–	–	–
34	–	–	–	69	–	–	–	104	–	–	–
35	34 11/16	11.7	14.6	70	–	–	–	105	–	–	–
36	–	–	–	71	70 2/16	24.4	30.5	106	105 9/16	35.9	44.8
37	–	–	–	72	–	–	–	107	–	–	–
38	–	–	–	73	–	–	–	108	–	–	–
39	38 10/16	13.1	16.5	74	–	–	–	109	–	–	–
40	–	–	–	75	74 1/16	25.8	32.3	110	109 8/16	37.2	46.4
41	–	–	–	76	–	–	–	111	–	–	–
42	–	–	–	77	–	–	–	112	–	–	–
43	42 9/16	14.6	18.3	78	78	27.1	33.9	113	–	–	–
44	–	–	–	79	–	–	–	114	113 7/16	38.4	48.0
45	–	–	–	80	–	–	–	115	–	–	–
46	–	–	–	81	–	–	–	116	–	–	–

Voltage Drop Calculator

The below chart assumes nominal voltage of 24 Volts and a Voltage Drop Allowance of 3% through the wire

Wattage [W]	Maximum Wire Length From Power Supply to Start of Run [ft]						
	12 AWG	14 AWG	16 AWG	18 AWG	20 AWG	22 AWG	24 AWG
5	1088.2	684.4	430.3	270.6	170.2	107.1	67.3
10	544.1	342.2	215.1	135.3	85.1	53.5	33.7
15	362.7	228.1	143.4	90.2	56.7	35.7	22.4
20	272.0	171.1	107.6	67.7	42.6	26.8	16.8
25	217.6	136.9	86.1	54.1	34.0	21.4	13.5
30	181.4	114.1	71.7	45.1	28.4	17.8	11.2
35	155.5	97.8	61.5	38.7	24.3	15.3	9.6
40	136.0	85.5	53.8	33.8	21.3	13.4	8.4
45	120.9	76.0	47.8	30.1	18.9	11.9	7.5
50	108.8	68.4	43.0	27.1	17.0	10.7	6.7
55	98.9	62.2	39.1	24.6	15.5	9.7	6.1
60	90.7	57.0	35.9	22.6	14.2	8.9	5.6
65	83.7	52.6	33.1	20.8	13.1	8.2	5.2
70	77.7	48.9	30.7	19.3	12.2	7.6	4.8
75	72.5	45.6	28.7	18.0	11.3	7.1	4.5
80	68.0	42.8	26.9	16.9	10.6	6.7	4.2
85	64.0	40.3	25.3	15.9	10.0	6.3	4.0
90	60.5	38.0	23.9	15.0	9.5	5.9	3.7
96	56.7	35.6	22.4	14.1	8.9	5.6	3.5

Power Supplies

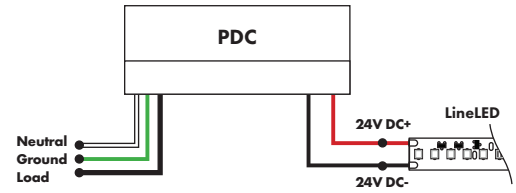
See fixture and power supply instructions & spec sheet for wiring information. Dimming possible in select models - view Luminii website for list of compatible dimmers.

For use with Warm Dim, WD68

Triac, MLV, & ELV Compatible Dimmers

MODEL	POWER	OUTPUT
PDC - (IP20) Power Supply	96 - 96 Watts	24 - 24 VDC

MODELS	96W
Length	8.25"
Width	4.10"
Depth	1.56"

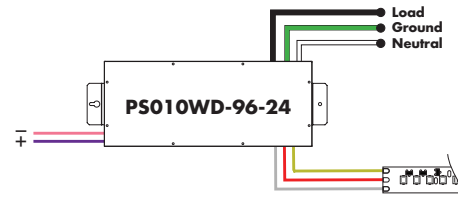


For use with Dynamic White, DW68

0-10V Warm Dimming 0% Power Supply 120VAC - 277VAC (for warm dimming of Dynamic White option)

MODEL	POWER	OUTPUT
PS010WD - 0-10 Warm dim LED Power Supply	96 - 96 Watt	24 - 24 VDC

Requires a 0-10V controller to work properly

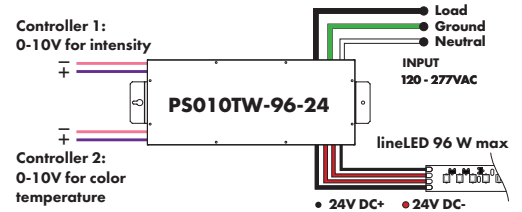


0-10V Tunable White 0% Dimming Power Supply 120VAC - 277VAC (for tunable white control of Dynamic White option)

MODEL	POWER	OUTPUT
PS010TW - 0-10 Tunable White LED Driver	96 - 96 Watt	24 - 24 VDC

Requires two 0-10V controllers to work properly

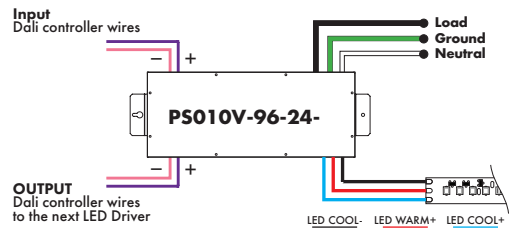
MODELS	PS010TW
A Length	14.40"
B Width	2.60"
C Depth	5.20"



Customizable Dim to Warm or Variable White via 0 - 10V (for tunable white or warm dimming control of Dynamic option)

MODEL	POWER	OUTPUT	CONTROL
PS010V-0-10 LED Driver	96-96 Watt	24-24 VDC	WW- Standard One Channel - Dim To Warm Curve W2C- Standard Two Channel - Dim 1: Intensity; Dim 2: CCT W21- Standard Two Channel - Dim 1: Warm Channel Intensity; Dim 2: Cool Channel Intensity W1X- Custom One Channel - Dim To Warm Curve W2X- Custom two Channel - Dim 1: Intensity; Dim 2: CCT

Requires a 0-10V controller to work properly



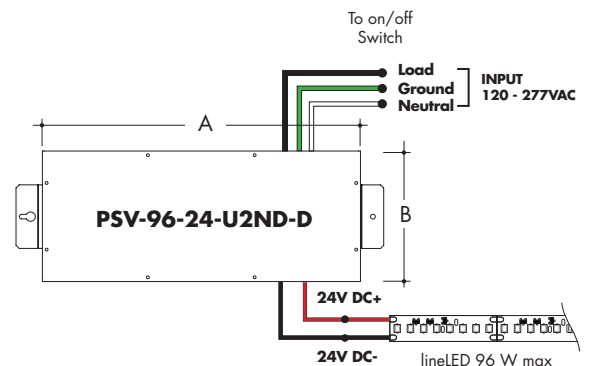
For use with RGB/RGBW/Pixel, RGB42/RGBW36/RGBX18/RGBWX18

Non-Dimming Power Supply 120VAC - 277VAC

MODEL	POWER	OUTPUT	DIMMING	LOCATION
PSV - PSV Series	96 - 96 Watt	24 - 24 VDC	U2ND - Non Dimming	D - Dry location

Requires a controller and a decoder to work properly

MODELS	96W
A Length	14.40"
B Width	5.20"
Depth	2.60"



Power Supplies

See fixture and power supply instructions & spec sheet for wiring information. Dimming possible in select models - view Luminii website for list of compatible dimmers.

For use with RGB/RGBW, RGB42/RGBW36 or with Dynamic White, DW68

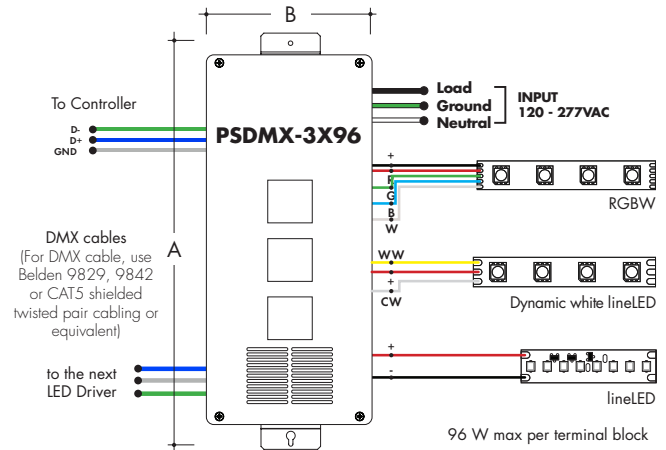
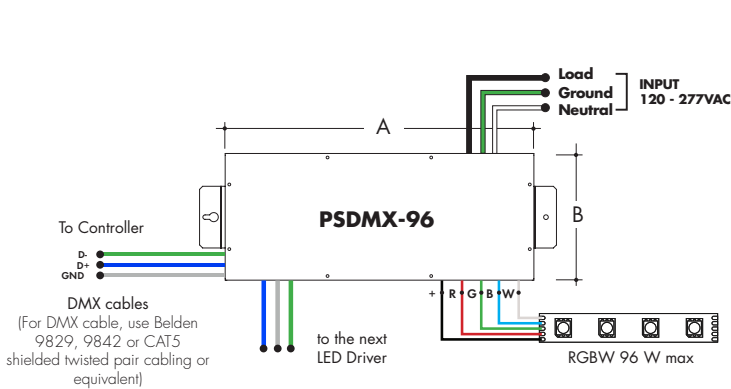
DMX 0% Dimming Power Supplies 120VAC - 277VAC

MODEL	POWER	OUTPUT
PSDMX-DMX Power Supply dims down to 0%	96 - 96 Watt 3X96 - 3 X 96 Watt	24-24 VDC

Features eldoLED's LINEARdrive configurable dimmable drivers.

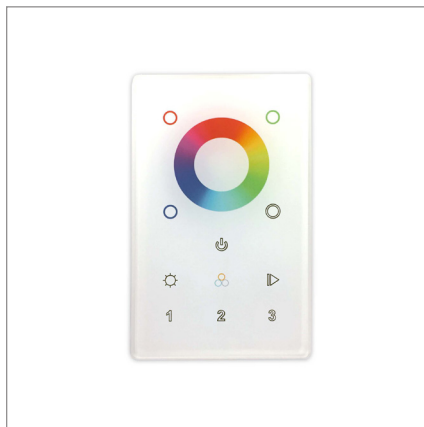
DDMX-RGBW DMX Decoder not required when purchasing this power supply.

MODELS	96W	3X96
A Length	14.40"	15.75"
B Width	5.20"	6.62"
Depth	2.60"	4.95"



DMX-1Z-RGBW, DMX-3Z-RGBW

RGBW LED 1 or 3 Zone Controller



ORDERING CODE

MODEL	ZONES	COLOR
DMX - DMX Controller	3Z - Three Zone 1Z - One Zone	RGBW - Red, Green, Blue, & White

DMX /Wireless RGB-W wall-mount controller controls DMX lighting fixtures, wireless control of RGB-W lighting fixture or use both simultaneously. Fits in any standard US switch box. Includes all the outputs in the back of the controller.

Control brightness levels with a single touch, personalize and memorize 3 different scenes, and even create 3 variations of white.

Features

- 2 in 1 in-Wall Controller: DMX Control or Wireless RGB-W
- 65,000 Color Options, Dimming and Speed Control
- Memory Function
- 50 Foot Wireless Range
- Easily Fits Standard US Switch Boxes
- Touch Sensitive Glass Surface
- Includes 10 Built in Programs, or Create and Play Your Own

Operating Voltage

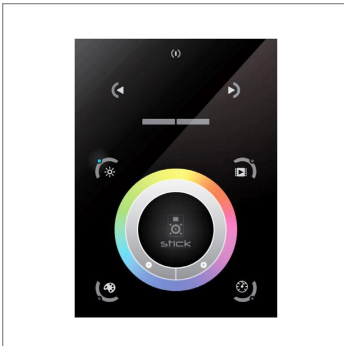
12 - 24V DC

Color Parameters

- Brightness
- Saturation
- Primary colors
- Fading
- Color changing speed

Touch DMX Controller

Touchscreen digital LED controller



MODEL

TSDMX-E

TSDMX-E - Touchscreen DMX controller

Programmable advanced DMX512 lighting controller featuring a touch-screen interface. Operates as stand alone controller or integrated with most architectural lighting control systems. Can controller endless DMX512 enabled devices.

Mounts to standard single or dual gang wall box with the included power supply inside the junction box. Terminal block design for power and data connections.

Features

- Sleek glass design which sits 0.43" from the wall
- Graphical color display to show selected environment
- Color/dimmer/speed palette
- Color temperature mixing
- Touch sensitive buttons. No mechanical parts
- Touch sensitive wheel allows for accurate color selection
- Multi-zone microSD memory
- Multi-room control with 500 scenes, 10 zones
- 1024 DMX channels. Control 340 RGB fixtures
- USB & Ethernet connectivity for programming and control

Power Supply

7 VDC (included)

Programmability

PC, Mac, Tablet, Smartphone

Output Signal

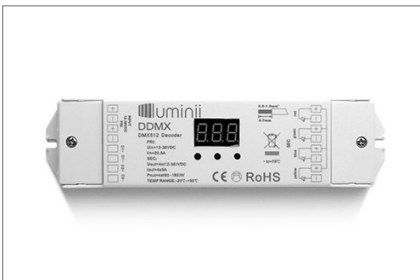
DMX512 (1024 channels)

Color Parameters

- Brightness
- Saturation
- Speed of color changing sequence
- Fading / dimming / brightness

DMX Decoder

DMX signal to RGBW decoder (required to operate DMX controller)



ORDERING CODE

MODEL

DDMX-RGBW

DDMX-RGBW - DMX decoder

Translates controller DMX512 programs for RGB and white LED strips.

Unique DMX address for the decoder can be set easily and displayed by the numeric display on the case. Changing and resetting the DMX address requires manual input.

Use power repeater to expand output.

Operating Voltage

12-36 VDC

Power Capacity

up to 96W at 24V

Operating Temperature Range

from -4°F to +122°F in case

Smart Pixel Decoder

SPI signal to DMX signal decoder



Model

SR-DMX-SPI

SR-DMX-SPI - Smart Pixel Decoder

The SR-DMX-SPI is a smart LED pixel decoder that controls RGB/RGBW pixel LED strips with SPI signal. Designed with an OLED backlit panel, the pixel controller allows for easy configuration of most settings. Four push buttons are available for control of the LED functions.

*For pixel only.

Features

- 2 in 1 in-Wall Controller: DMX Control or Wireless RGB-W
- SPI signal output for RGB/RGBW pixel light control
- DMX512 controllable and RF/WIFI remote controllable
- Capable of addressing up to 1020 RGB pixels & 765 RGB pixels
- OLED panel allows for easy configuration

Operating Voltage

12 - 36V DC

Power capacity

up to 96W at 24V

Operating temperature range

from -4°F to +122°F in case