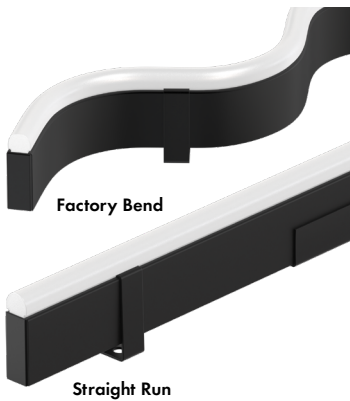
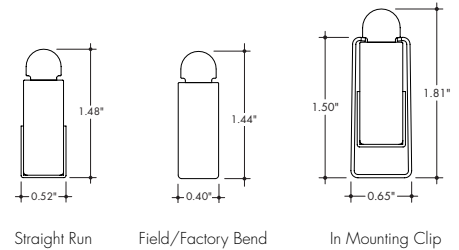


Plexineon Surface Mount

Static White and Monochrome Colors



- Easy to install, for interior and exterior accent lighting
- Neon look providing a crisp, clear line of light visible for miles
- Creative freedom to make stunning designs, rigid construction maintains factory formed shape
- Mounting clips are included in the appropriate quantities
- Operating temperature: -40° F to 140° F (-40° C to 60° C)
- 24VDC Class 2
- IK10 and 3G rated
- IP67 rated. IP68 rating available upon specific request
- 5 year warranty indoor, 3 year warranty outdoor



Technical Information

| MODEL | Plexineon Static White (30K) | Plexineon Monochrome Colors | | | | | |
|---|------------------------------|-----------------------------|----------|-----------|----------|-----------|-----------|
| | | Red | Blue | Green | Magenta | Teal | Yellow |
| OUTPUT OPTIONS | | SO | | | | | |
| Lumens Output (3000K) | 123 lm/ft | 14 lm/ft | 11 lm/ft | 50 lm/ft | 24 lm/ft | 60 lm/ft | 62 lm/ft |
| Average Power Consumption <small>(for a 4" section)</small> | 3.2 W/ft | 1.2 W/ft | 1.4 W/ft | 1.5 W/ft | 2.6 W/ft | 2.9 W/ft | 2.7 W/ft |
| Wavelength | N/A | 622 nm | 468 nm | 525 nm | 567 nm | 486 nm | 563 nm |
| Efficacy | 39 lm/W | 12.1 lm/W | 8.1 lm/W | 33.8 lm/W | 9.2 lm/W | 20.9 lm/W | 23.2 lm/W |
| Cut Increment | 1.97" | | | | | | |
| Max Run Length <small>(in series)</small> | 30 ft | 32ft | 32ft | 32ft | 32ft | 32ft | 32ft |

| CCT | Multiplier <small>(reference - 3000K)</small> | TM-30 | | |
|-------|--|-------|----------------|----------------|
| | | CRI | R _f | R _g |
| 2700K | 0.94 | 90 | 88 | 97 |
| 3000k | 1.00 | 90 | 87 | 97 |
| 3500k | 1.02 | 90 | 87 | 97 |
| 4000k | 1.02 | 90 | 84 | 92 |

Ordering Code

| MODEL | RUN LENGTH ¹ | BEND | CCT | OUTPUT | LENS | MOUNTING ⁴ | FINISH | POWERFEED POSITION/TYPE | QUOTE NUMBER ⁶ |
|--------------|--|--|--|-------------|-----------|--|--|--|--|
| PX-Plexineon | —Run length in inches, 6" min, no max run length | SR-Straight Run FB-Field Bendable ² EB-Factory Bend, Side/Easy Bend ³ HB-Factory Bend, Top/Hard Bend ³ | 27K-2700K 30K-3000K 35K-3500K 40K-4000K | SO-Standard | F-Frosted | SM-Surface Mount, Standard Clips SML-Surface Mount, L-Tab Clips SMS-Surface Mount, S-Tab Clips SMV-Surface Mount, Vertical Clips SMD-Surface Mount Decorative Clips ⁵ | GG-Gloss Grey BK-Matte Black GY-Matte Grey WH-Matte White | B-4-Male Quick Connect One End, Female Quick Connect Other End | (Leave Blank)-For SR or FB —Quote Number entered by Inside Sales used for Factory Bends and Custom Drawings |

1. Static White and Monochrome colors are available in 2" increments, +/- 1/2" tolerance. Run Lengths over 96" (8ft) will be made of equal sections no longer than 96".
 2. Field Bendable ships as straight sections which can be bent down to 72" radius min. Field Bendable sections do not include rigid c-channel and may not maintain straightness without appropriately placed mounting clips.
 3. Factory Bends require an Image or Drawing input at time of Quote to calculate total linear/arc length. Factory Bends require a Custom Drawing submittal at time of Order. Allow 2 weeks (typical) for Custom Drawing generation/confirmation process.

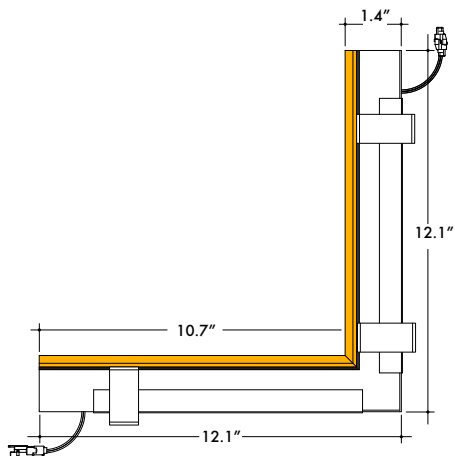
4. Standard mounting clip included approximately every 30" of linear/arc length.
 5. Decorative Clips match the fixture finish, included approximately every 18" of linear/arc length.
 6. Quote Number correlates the Quote to the Custom Drawing. If a single Quote includes different designs having the same length, add -1, -2, -3, etc. to the end of the Quote Number for each unique configuration.

Plexineon Surface Mount

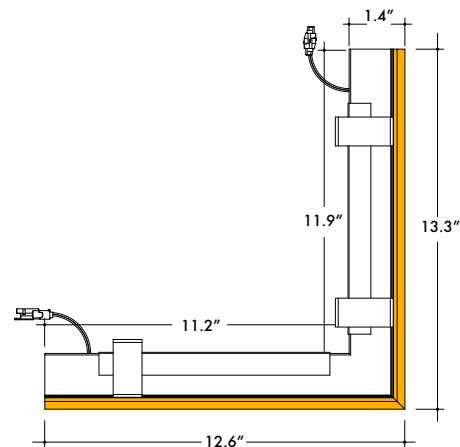
Static White and Monochrome Colors

Corner Dimensions

IC-SR Inside Corner

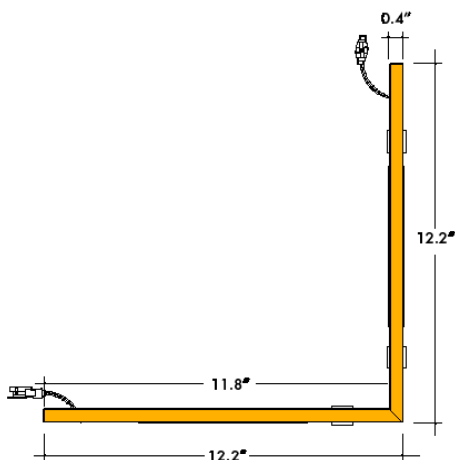


OC-SR Outside Corner



Note: Outside Corner legs are asymmetric, male connector is on the longer end, female connector is on the shorter end.

HC-SR Horizontal Corner



Ordering Code

| MODEL | CORNER ¹ | CCT | OUTPUT | LENS | MOUNTING ¹ | FINISH | POWERFEED POSITION/TYPE |
|----------------|--|---|---------------|-------------|--|--|--|
| PX - Plexineon | IC-SR - Inside Corner OC-SR - Outside Corner HC-SR - Horizontal Corner | 27K - 2700K 30K - 3000K 35K - 3500K 40K - 4000K B - Blue G - Green T - Teal Y - Yellow R - Red M - Magenta | SO - Standard | F - Frosted | SM - Surface Mount, Standard Clips SML - Surface Mount, L-Tab Clips SMS - Surface Mount, S-Tab Clips SMV - Surface Mount, Vertical Clips SMD - Surface Mount Decorative Clips ² | GG - Gloss Grey BK - Matte Black GY - Matte Grey WH - Matte White | B-4 - Male Quick Connect One End, Female Quick Connect Other End |

1. Corners include 3 mounting clips.
2. Decorative Clips match the fixture finish.

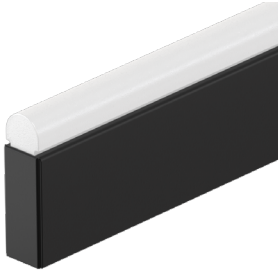
Plexineon Surface Mount

Static White and Monochrome Colors



Finish Options

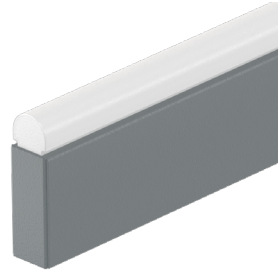
BK
Matte Black Finish



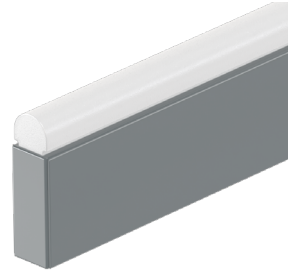
WH
Matte White Finish



GY
Matte Grey Finish



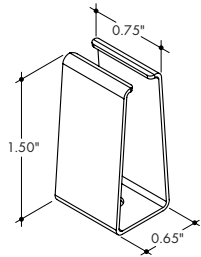
GG
Gloss Grey Finish



Mounting Clips

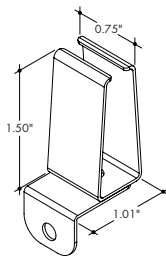
- Mounting Clips are included with Plexineon runs in the appropriate quantity, every 30" of linear/arc length for Standard Clips and every 18" of linear/arc length for Decorative Clips.
- Standard Clips have a stainless steel finish, Decorative Clip finishes match the fixture finishes.
- Standard Clip mounting hole is $\varnothing 0.2"$, Decorative Clip mounting hole is $\varnothing 0.16"$.

SM
75-CLP16-001-00
Surface Mount, Standard Clip



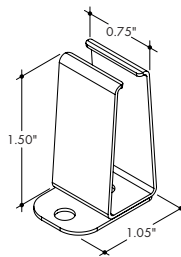
Used for mounting direct to surfaces

SML
75-CLP15-001-00
Surface Mount, L-Tab Clip



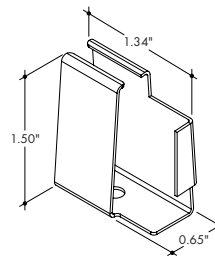
Used for mounting to adjacent surfaces

SMS
75-CLP17-001-00
Surface Mount, S-Tab Clip



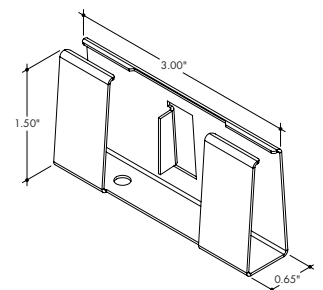
Used for to reduce install time and mounting direct to surfaces with fixture pre-assembled to clips

SMV
75-CLP20-001-00
Surface Mount, Vertical Clip



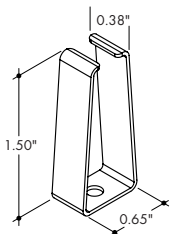
Used to hold fixtures in a vertical orientation

75-CLP19-001-00
Surface Mount, Standard Joiner Clip



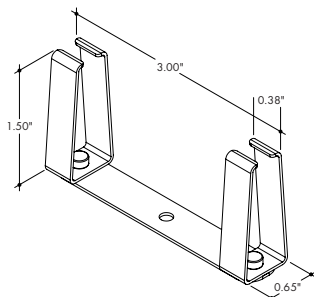
Used to join two fixtures together

SMD
75-CLP36-001-0X
Surface Mount, Decorative Clip



Thinner clip with finish options to match fixtures

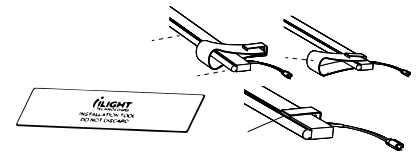
75-CLP37-001-0X
Surface Mount, Decorative Joiner Clip



Thinner clip with finish options to match and join two fixtures together for a continuous run

| OX | Clip Finish |
|----|-----------------|
| 00 | Stainless Steel |
| 01 | Matte Black |
| 02 | Matte Grey |
| 03 | Matte White |

70-TOL02-001-01
Mounting Clip Installation Tool



Use for installation of Plexineon into Mounting Clips

Plexineon Surface Mount

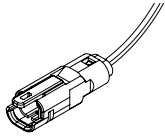
Static White and Monochrome Colors



Additional Material

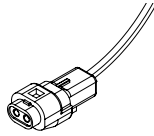
- Connectors are included in the Plexineon runs per CCT option selected. Order extras as desired.

60-H-0001-08
Female Quick Connect
with flying leads



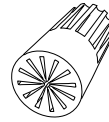
Female Quick Connect with flying leads can be connected to the Power Supply at the start of a run. Can also be used with the Male Quick Connect to make wire jumpers. Use color suffix -08 for Black, -09 for Grey, or -10 for White

60-H-0002-08
Male Quick Connect
with flying leads



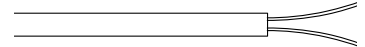
Male Quick Connect with flying leads can be used to make wire jumpers. Use color suffix -08 for Black, -09 for Grey, or -10 for White

60-12-22AWGSBWN
Weatherproof Wire Nut
Silicone Filled



Order 2 per Power Supply

55-STW02-050-00
50 ft of 14 gauge wire Black jacket,
2 conductors



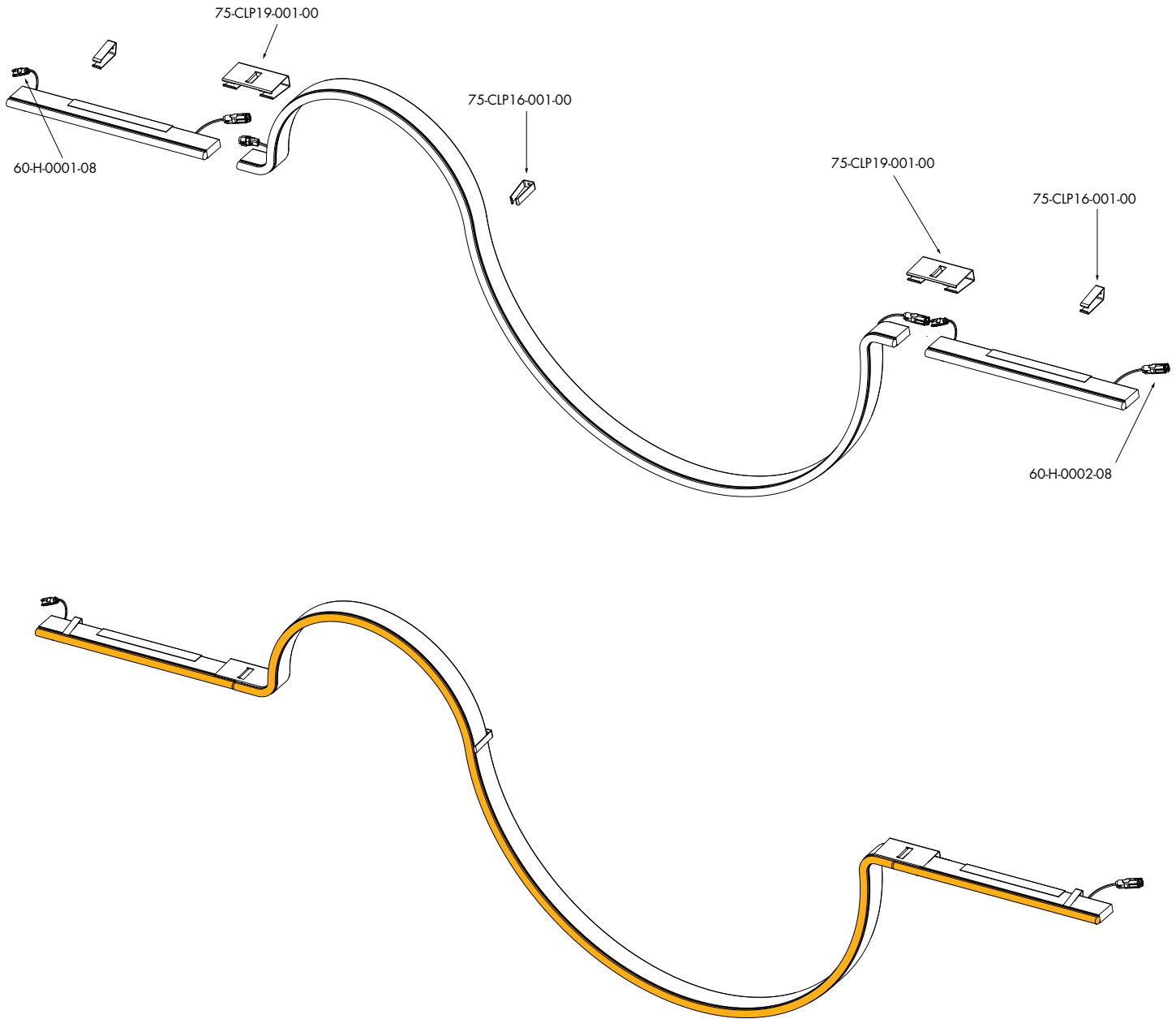
Sunlight, moisture resistant, and flame retardant PVC jacket per UL 1277

Plexineon Surface Mount

Static White and Monochrome Colors

Sample Layout

PX-120-EB-30K-SO-F-SM-GG-B-4-QXXXXX
Plexineon Factory Bend, Standard Mounting Clips



Plexineon Surface Mount

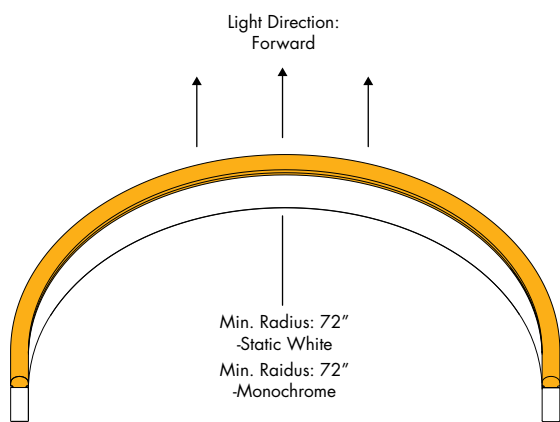
Static White and Monochrome Colors



Field Bends

- Field Bends available with Surface Mount installations only.
- Field Bends can be made only in a direction perpendicular to the light output, Horizontal/Easy Bend.
- Field Bendable ship as straight sections which can be bent down to 72" radius min.
- Field Bendable sections do not include rigid c-channel and may not maintain straightness without appropriately placed mounting clips.

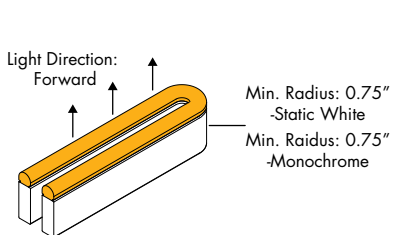
FB
Field Bend, Side/Easy Bend



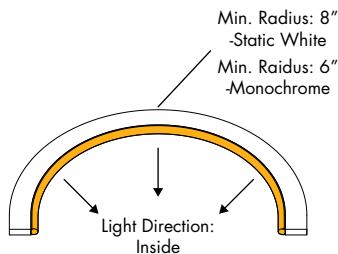
Factory Bends

- Require Custom Drawing submittal and approval.

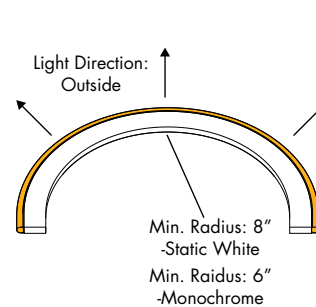
EB
Factory Bend, Side/Easy Bend



HB
Factory Bend, Top/Hard Bend



HB
Factory Bend, Top/Hard Bend



Plexineon Surface Mount

Static White and Monochrome Colors



Common Applications

Custom Indoor Designs | Coves | Signs | Building Facades | Lobbies | Hallways | Statement Pieces | Restaurants
Corporate Offices | Schools | Residential Towers | Parking Garages | Hotels | Bridges | Benches | Airports



Plexineon Surface Mount

Static White and Monochrome Colors



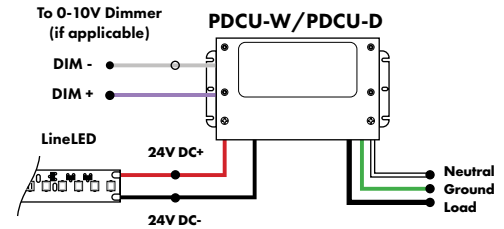
Power Supplies

See Power Supply instructions and spec sheet for wiring information. For a complete list of compatible dimmers, see [Compatible Dimming Chart](#) on the Resources page.

Universal Power Supply 1% 120VAC - 277VAC

| MODEL | POWER | OUTPUT |
|--------------------------|--|-------------|
| PDCU-D - IP20 Dry Series | 30 - 30 W 60 - 60 W 96 - 96 W 3X96 - 3X96 W | 24 - 24 VDC |
| PDCU-W - IP66 Wet Series | 96 - 96 W 3X96 - 3X96 W | |

0-10V dims down to 1%, MLV/ELV/TRIAC dims down to 1%.
For a complete list of compatible dimmers, see [Compatible Dimming Chart](#) on the Resources page.

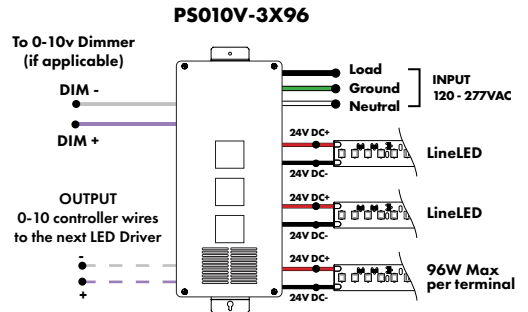
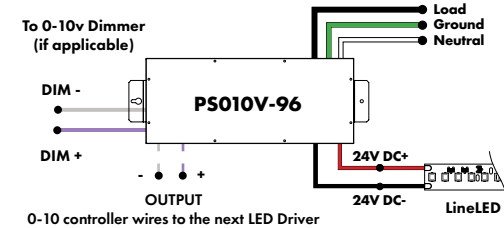


| MODELS | PDCU-W 96W | PDCU-W 3X96W | PDCU-D 30W | PDCU-D 60W | PDCU-D 96W | PDCU-D 3X96W |
|---------------|------------|--------------|------------|------------|------------|--------------|
| Length | 8.66" | 11.85" | 6.10" | 7.93" | 8.25" | 9.57" |
| Width | 3.73" | 4.32" | 3.35" | 3.35" | 4.10" | 5.94" |
| Depth | 1.61" | 1.81" | 1.33" | 1.32" | 1.56" | 1.13" |

0-10V Dimming Power Supplies 0.1% 120VAC - 277VAC

| MODEL | POWER | OUTPUT | DIMMING |
|--|------------------------------------|-------------|-----------------------------------|
| PS010V - 0-10V Power Supply dims down to 0.1% | 96 - 96 Watt 3X96 - 3 X 96 Watt | 24 - 24 VDC | LIN - Linear LOG - Logarithmic |

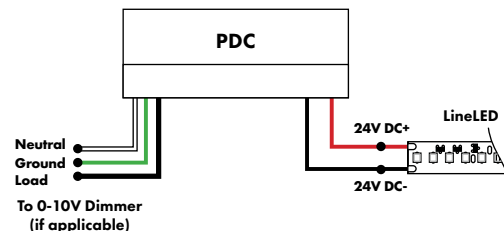
| MODELS | 96W | 3X96 |
|---------------|--------|--------|
| Length | 14.40" | 15.75" |
| Width | 5.20" | 6.62" |
| Depth | 2.60" | 4.95" |



Triac, MLV, & ELV Compatible Dimmers

| MODEL | POWER | OUTPUT |
|---------------------------|---------------|-------------|
| PDC - (IP20) Power Supply | 96 - 96 Watts | 24 - 24 VDC |

| MODELS | 96W |
|---------------|-------|
| Length | 8.25" |
| Width | 4.10" |
| Depth | 1.56" |



Plexineon Surface Mount

Static White and Monochrome Colors



Power Supplies

See Power Supply instructions and spec sheet for wiring information. For a complete list of compatible dimmers, see Compatible Dimming Chart on the Resources page.

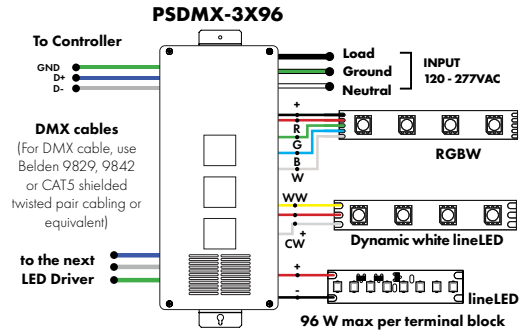
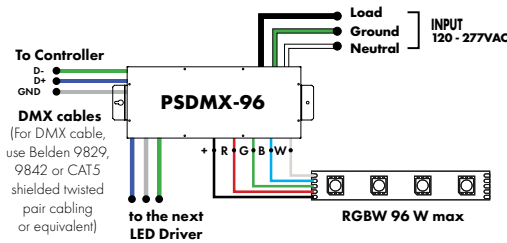
DMX Dimming Power Supplies 120VAC - 277VAC

| MODEL | POWER | OUTPUT |
|-------|------------------------------------|-------------|
| PSDMX | 96 - 96 Watt 3X96 - 3 X 96 Watt | 24 - 24 VDC |

PSDMX - DMX Power Supply dims down to 0%

Features eldoLED's LINEARdrive configurable dimmable drivers

| MODELS | 96W | 3X96 |
|--------|--------|--------|
| Length | 14.40" | 15.75" |
| Width | 5.20" | 6.62" |
| Depth | 2.60" | 4.95" |



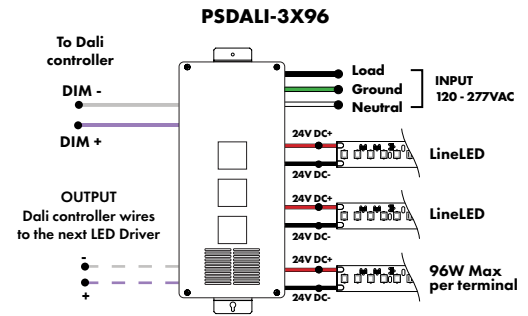
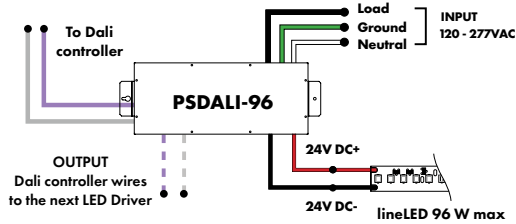
DALI 0% Dimming Power Supplies 120VAC - 277VAC

| MODEL | POWER | OUTPUT |
|--------|------------------------------------|-------------|
| PSDALI | 96 - 96 Watt 3X96 - 3 X 96 Watt | 24 - 24 VDC |

PSDALI - DALI Power Supply dims down to 0%

Features eldoLED's LINEARdrive configurable dimmable drivers

| Model | 96W | 3X96 |
|--------|--------|--------|
| Length | 14.40" | 15.75" |
| Width | 5.20" | 6.62" |
| Depth | 2.60" | 4.95" |

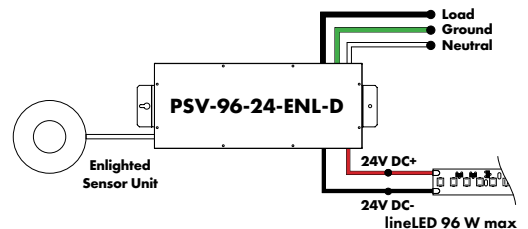


Enlighted Enabled Dimming Power Supplies 120VAC - 277VAC

| MODEL | POWER | OUTPUT | DIMMING | LOCATION |
|------------------|--------------|-------------|---|----------|
| PSV - PSV Series | 96 - 96 Watt | 24 - 24 VDC | ENL - Enlighted Dimming dims down to 0% | D - Damp |

PSV - PSV Series 96 - 96 Watt 24 - 24 VDC ENL - Enlighted Dimming dims down to 0% D - Damp

| | |
|--------|--------|
| Model | 96W |
| Length | 14.40" |
| Width | 5.20" |
| Depth | 2.60" |



Plexineon Surface Mount

Static White and Monochrome Colors



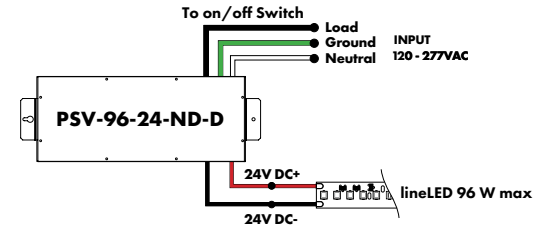
Power Supplies

See Power Supply instructions and spec sheet for wiring information. For a complete list of compatible dimmers, see Compatible Dimming Chart on the Resources page.

Non-Dimming Power Supply 120VAC - 277VAC

| MODEL | POWER | OUTPUT | DIMMING | LOCATION |
|------------------|--------------|-------------|--------------------|----------|
| PSV - PSV Series | 96 - 96 Watt | 24 - 24 VDC | U2ND - Non Dimming | D - Damp |

| MODELS | 96W |
|---------------|--------|
| Length | 14.40" |
| Width | 5.20" |
| Depth | 2.60" |

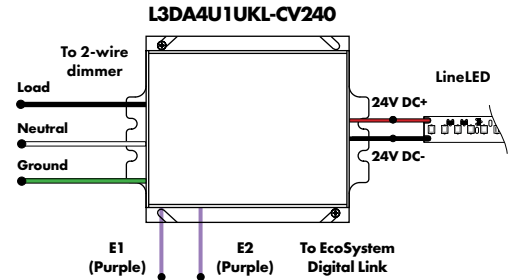


Luminii is a Lutron OEM Advantage Partner

Lutron Power Supplies 1%

| MODEL |
|--|
| L3DA4U1UKL-CV240 |
| HiLume™ 1% EcoSystem Voltage LED driver 40W max |

| MODELS | L3DA4U1UKL-CV240 |
|---------------|------------------|
| Length | 4.98" |
| Width | 4.00" |
| Depth | 2.62" |

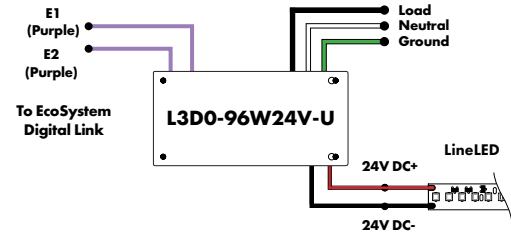


Luminii is a Lutron OEM Advantage Partner

Lutron Power Supplies 0.1%

| MODEL |
|---|
| L3D0-96W24V-U |
| HiLume™ 0.1% EcoSystem Voltage LED Driver with Soft-On, Fade-to-Black™ 96W max |

| MODELS | L3D0 |
|---------------|--------|
| Length | 10.50" |
| Width | 5.50" |
| Depth | 2.00" |



In-Ground Power Supplies

| MODEL | POWER | OUTPUT | INPUT |
|---|--------------------|-------------|----------------------------------|
| IG - In ground CVE Series CVE - ELV Dimming DALI - eldoLED Dali dimming Both dims down to 0% | 96X2 - 2 X 96 Watt | 24 - 24 VDC | Blank - 120 V 277 - 240/277 V |

| MODELS | Dual Circuit |
|---------------|--------------|
| Length | 8.40" |
| Width | 8.30" |
| Depth | 8.10" |

