

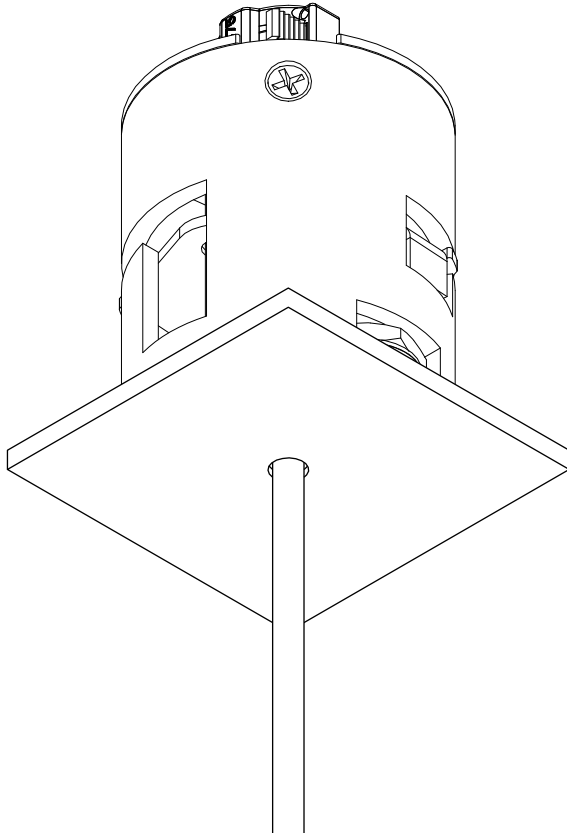
LETO 44 Mini P

954 SEMI-RECESSED CANOPY

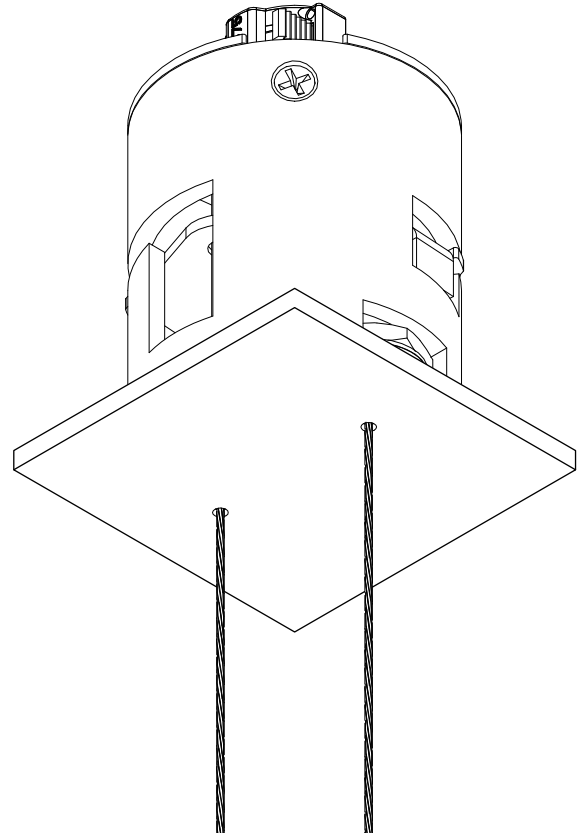
Overview / Vue d'ensemble

 **senso**
by luminii

Feed Suspended
AC P2 / DC P3



Powered Aircraft
AC P4 / DC P5



For powered aircraft height adjustment, see **P6**



Read and follow these instructions before installing or maintaining this product

- This product is suitable for **DRY INDOOR LOCATIONS ONLY**
- Make sure this product is **NOT** on the same circuit as inductive loads, (e.g. fluorescent bulbs, discharge bulbs, ventilation fans, etc...)
- Do not switch on line voltage until all wiring is complete
- Incorrect wiring will result in irreparable damage to LED and power supply
- This product should only be installed by a licensed electrician

Veillez lire et suivre ces instructions avant l'installation ou l'entretien de ce produit

- Ce produit convient pour une installation **DANS UN ENDROIT SEC SEULEMENT**
- Assurer vous que des charges inductives ne se retrouvent pas sur le même circuit que ce produit, (i.e. fluorescent, ampoules à décharge, ventilateurs, etc...)
- Compléter les branchements avant de mettre sous tension
- Un branchement incorrect créerait des dommages irréparables à l'alimentation et au DEL
- Ce produit devrait être uniquement installé par un électricien qualifié



Warranty

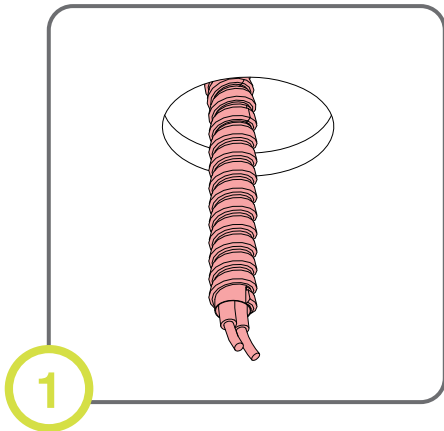
- This product must be installed in accordance with all applicable installation codes and ordinance
- Limited five (5) years warranty
- Warranty is void in the eventuality of unauthorized modifications and/or improper use

Garantie

- Ce produit doit être installé conformément au code d'installation et autres normes applicables
- Garantie limitée de cinq (5) ans
- La garantie est non valide advenant une modification non autorisée ou un usage non approprié

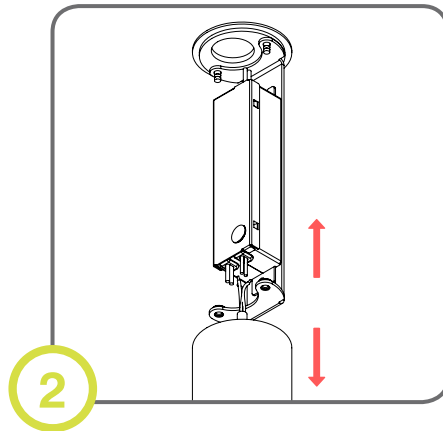
LETO 44 Mini P

Pendant: Single Feed Cable (AC Connection)



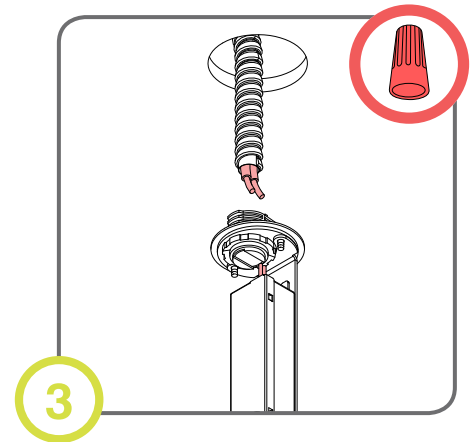
1

Finish ceiling installation. Make sure hole is cut to appropriate size and location. **54mm (2.125")**



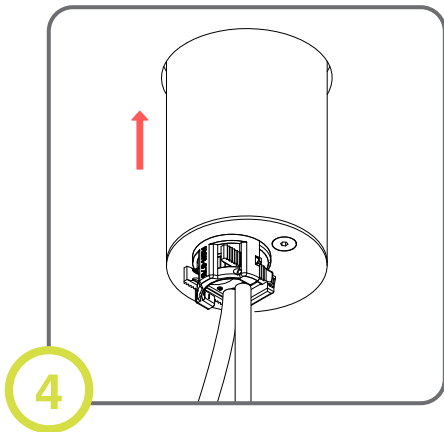
2

Disassemble driver housing to expose the driver.



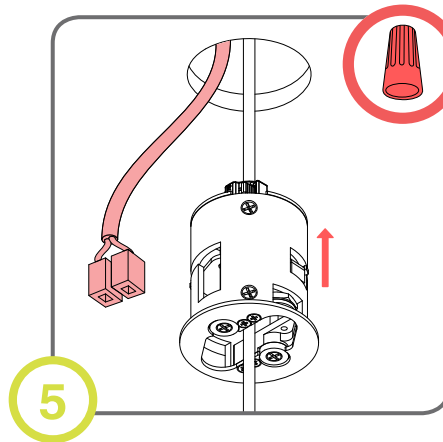
3

Make electrical connections and use appropriate strain relief.



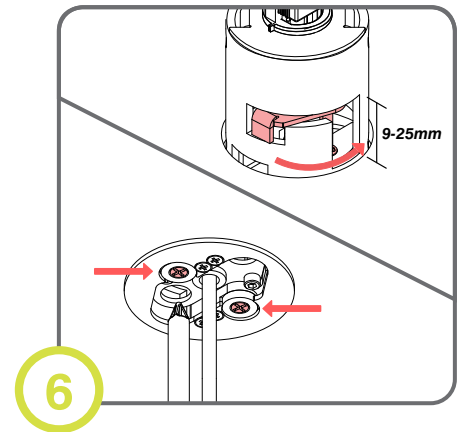
4

Reassemble housing and insert into ceiling. Push aside to leave room for canopy.



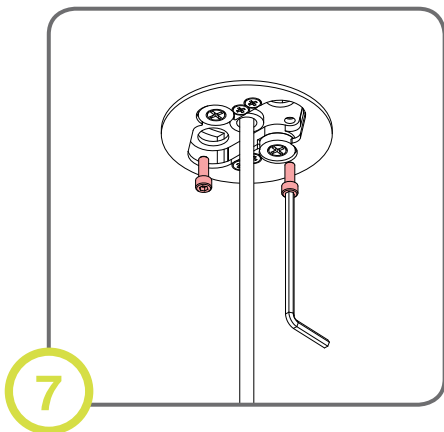
5

Connect dimming controls to included cable clamps. Insert wires and canopy into ceiling.



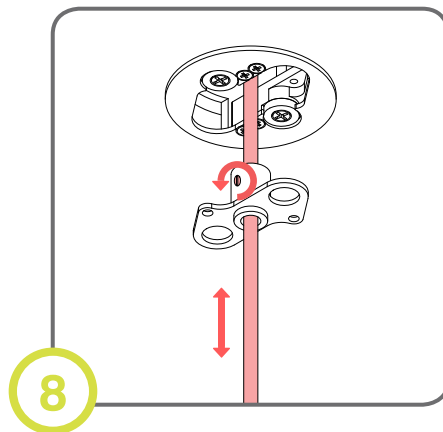
6

Turn screws until housing is secured in place (arms will rotate and clamp down on ceiling)



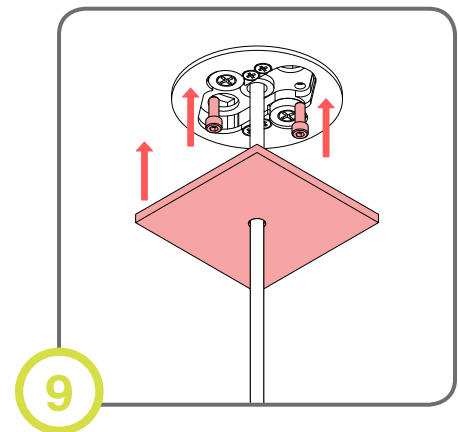
7

Unscrew gripper plate and separate from canopy.



8

Loosen set screw and adjust cable to desired height. Cut and reconnect wire if needed.

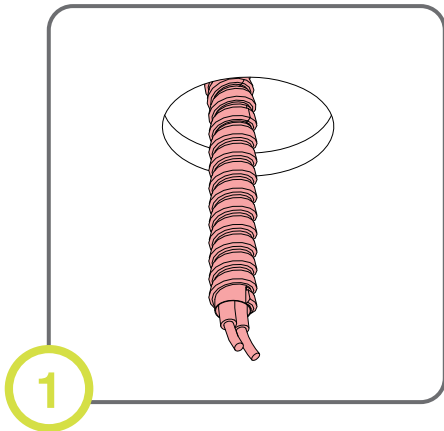


9

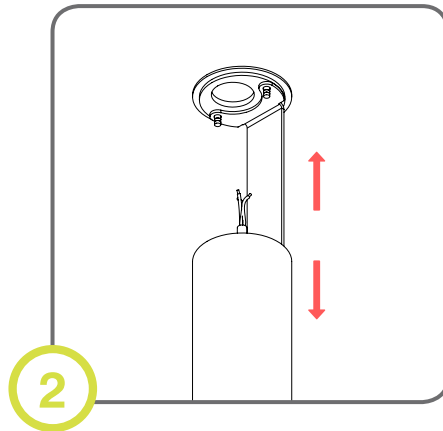
Re-attach gripper to canopy and slide trim plate up until held in place by magnets.

LETO 44 Mini P

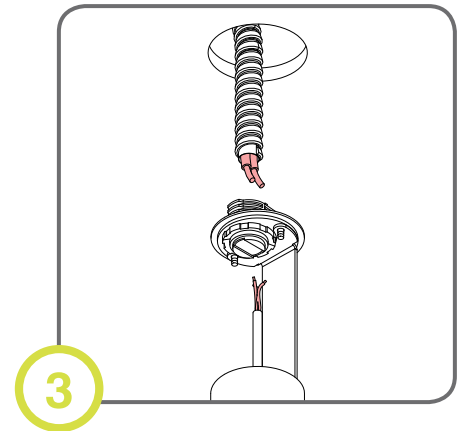
Pendant: Single Feed Cable (Remote DC Connection)



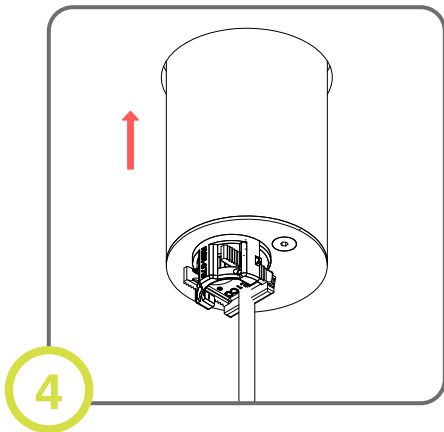
1 Finish ceiling installation. Make sure hole is cut to appropriate size and location. **54mm (2.125")**



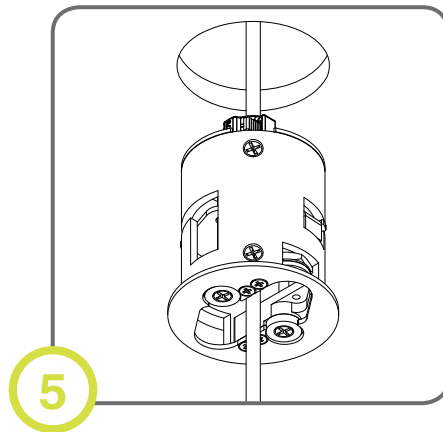
2 Disassemble driver housing to expose fixture wiring. Cylinder housing is used as DC junction box.



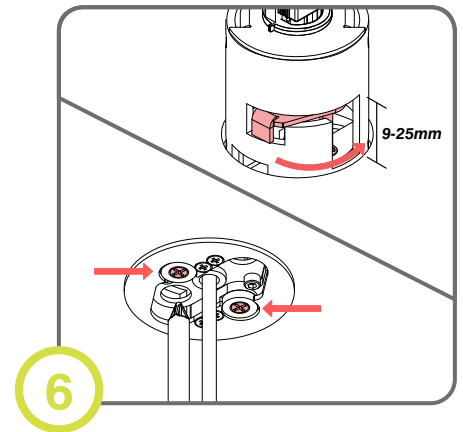
3 Make electrical connections and use appropriate strain relief.



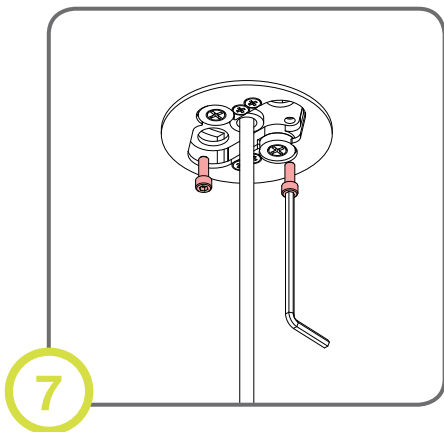
4 Reassemble housing and insert into ceiling. Push aside to leave room for canopy.



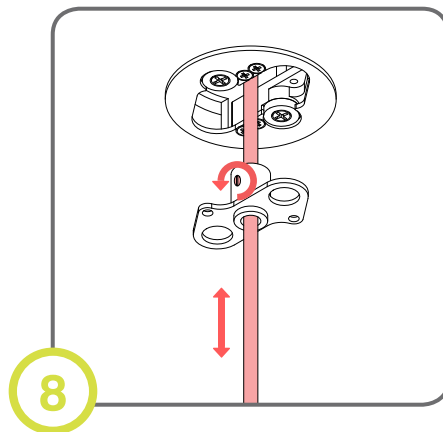
5 Insert canopy into ceiling.



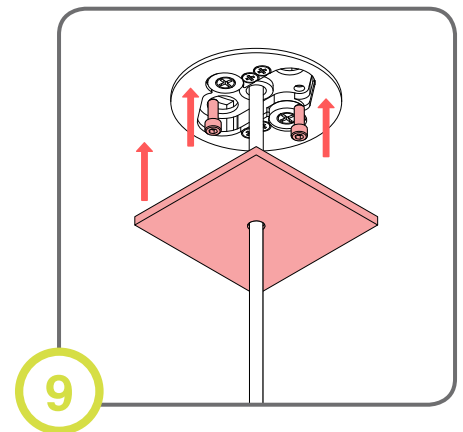
6 Turn screws until housing is secured in place (arms will extend and clamp down on ceiling)



7 Unscrew gripper plate and separate from canopy.



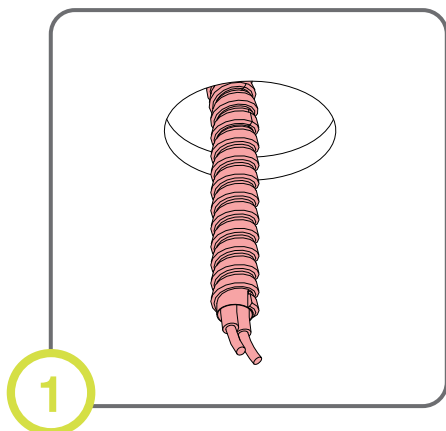
8 Loosen set screw and adjust cable to desired height. Cut and reconnect wire if needed.



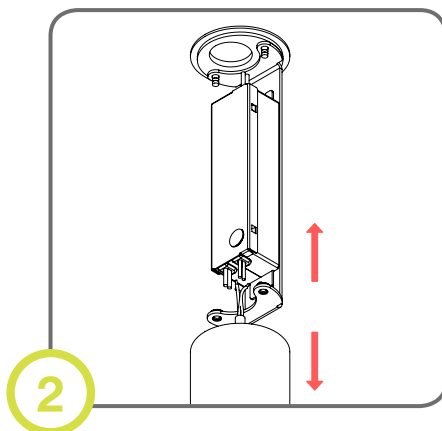
9 Re-attach gripper to canopy and slide trim plate up until held in place by magnets.

LETO 44 Mini P

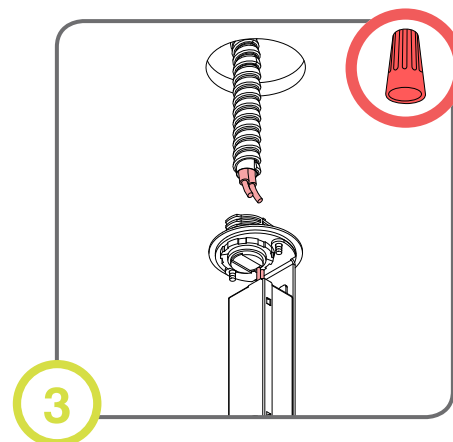
Pendant: Powered Aircraft Cable (AC Connection)



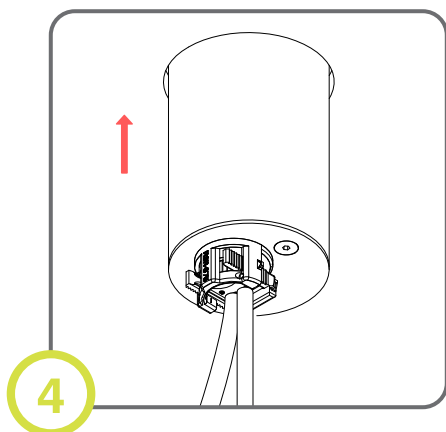
Finish ceiling installation. Make sure hole is cut to appropriate size and location. **54mm (2.125")**



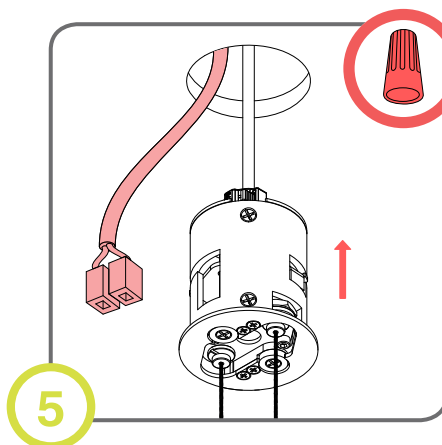
Disassemble driver housing to expose the driver.



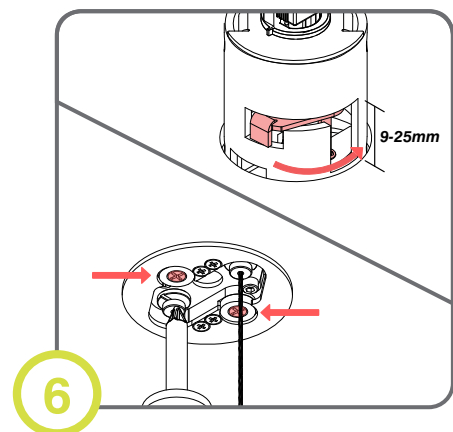
Make electrical connections and use appropriate strain relief.



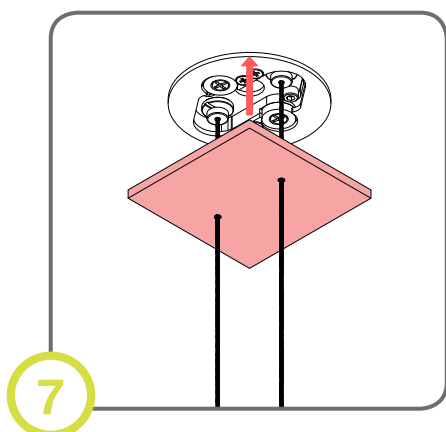
Reassemble housing and insert into ceiling. Push aside to leave room for canopy.



Connect dimming controls to included cable clamps. Insert wires and canopy into ceiling.



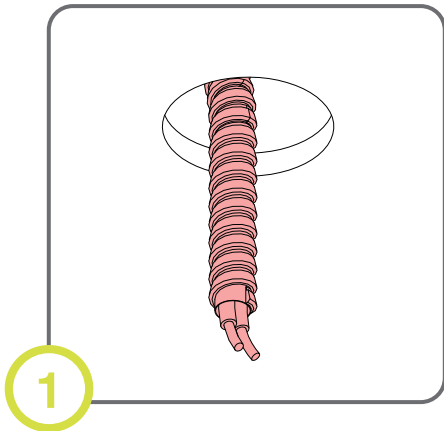
Turn screws until housing is secured in place (arms will extend and clamp down on ceiling)



Slide trim plate up until held in place by magnets.

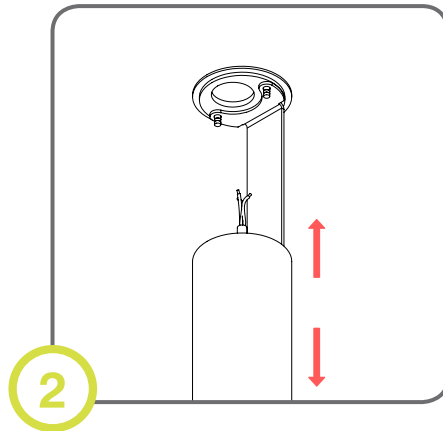
LETO 44 Mini P

Pendant: Powered Aircraft Cable (Remote DC Connection)



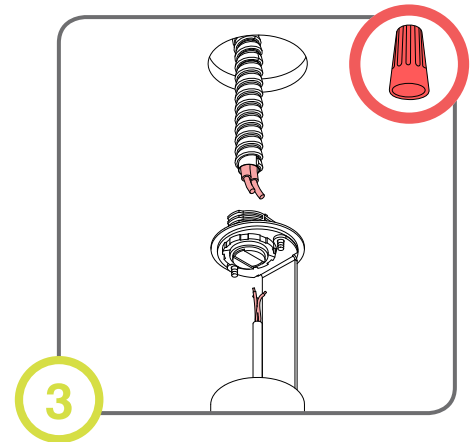
1

Finish ceiling installation. Make sure hole is cut to appropriate size and location. **54mm (2.125")**



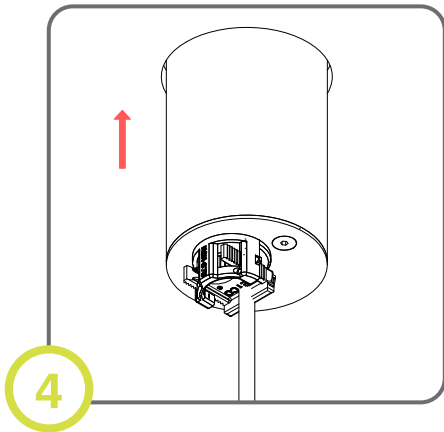
2

Disassemble driver housing to expose fixture wiring. Cylinder housing is used as DC junction box.



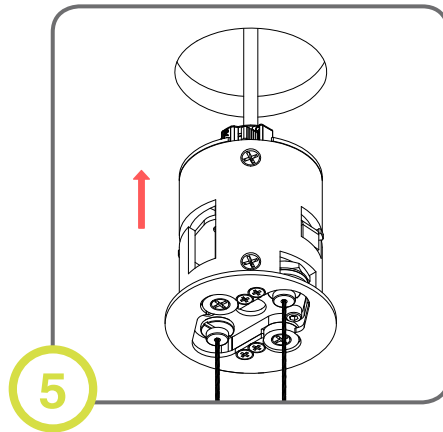
3

Make electrical connections and use appropriate strain relief.



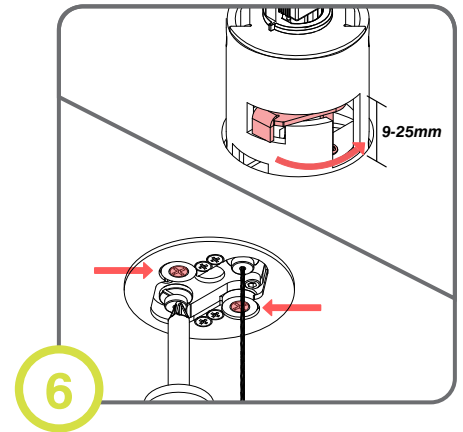
4

Reassemble housing and insert into ceiling. Push aside to leave room for canopy.



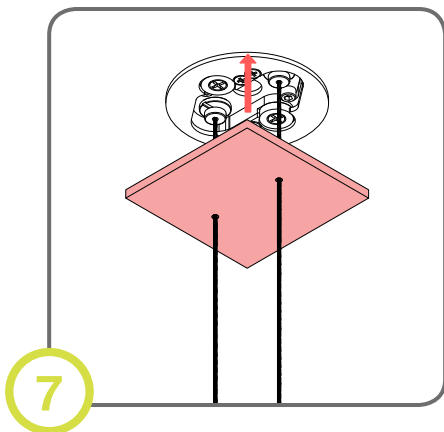
5

Insert canopy into ceiling.



6

Turn screws until housing is secured in place (arms will extend and clamp down on ceiling)

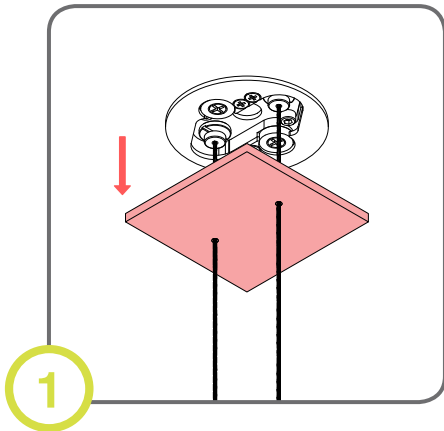


7

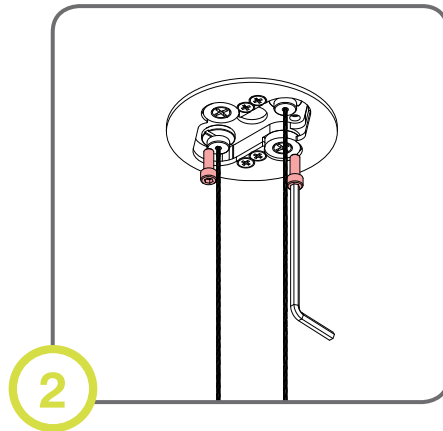
Slide trim plate up until held in place by magnets.

LETO 44 Mini P

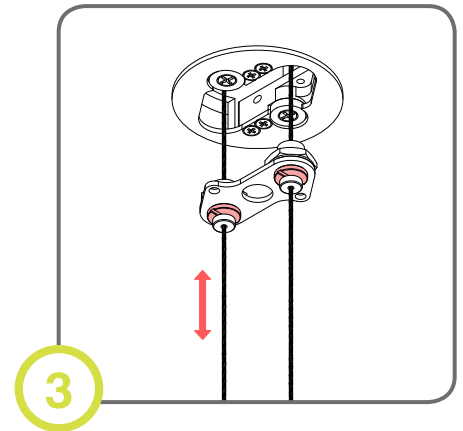
Height Adjustment: Powered Aircraft Cable



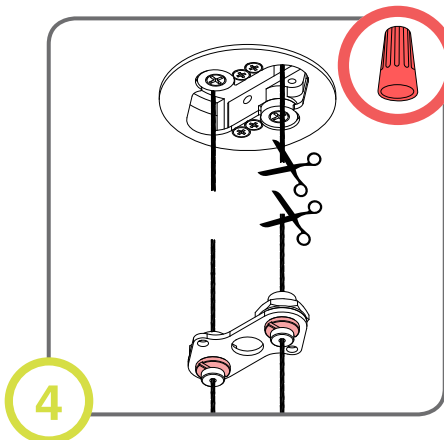
1 Remove trim plate from the canopy



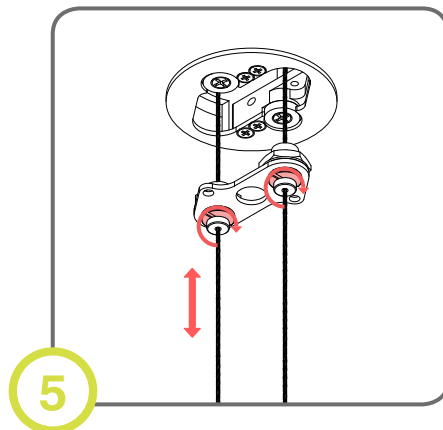
2 Unscrew gripper plate separate from canopy.



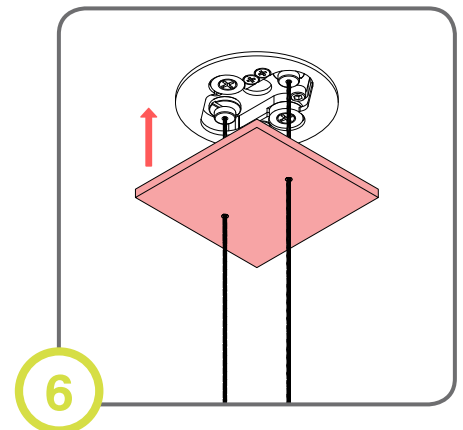
3 Loosen set screw and adjust cable to desired height.



4 Cut excess cable leaving ~3" above gripper. Make electrical connections using appropriate hardware.



5 If cables develop a twist, loosen set screw and cycle cable through the gripper 4-5 times.



6 Tighten screws, re-attach gripper plate to canopy and slide trim plate up until held in place by magnets.