

# LETO 11.5 Wet

WET RATED PENDANT LED DOWNLIGHT



**Leto 11.5 Wet - Wet Rated Pendant LED Light.** Leto 11.5 Wet is a compact version of the full sized Leto 11 Wet. Sealed clear or frosted lenses prevent the entry of water allowing more versatile design options both inside and outside. Packing the same power as the taller body, Leto 11.5 offers more discretion when planning your lighting.

## Ordering Code

Fixture	<b>686</b>							
	1	2	3	4	5	6	7	8
Driver							--	--
	1	2	3	4	5	6	7	8

## Product Specifications

SAMPLE: Fixture **686** - A90 - 610 - 27 - 07 - CL - 08 - 02 | Driver **951** - 08 - 00 - 01 - STD - 120 - A90 - 07

1 - Model	2 - CRI/LED	3 - Optic		4 - CCT	5 - Lumen	6 - Accessory	
<b>686</b> · Leto 11.5 Wet	<b>A90</b> · 93+ CRI Accuracy <b>WD</b> · Warm Dim*1	<i>Faceted</i> <b>610</b> · 10° <b>618</b> · 18° <b>630</b> · 30° <b>645</b> · 45° <b>660</b> · 60°	<i>Smooth</i> <b>630S</b> · 30° <b>645S</b> · 45°	<b>25</b> · 2500K <b>27</b> · 2700K <b>30</b> · 3000K <b>35</b> · 3500K <b>40</b> · 4000K <b>65</b> · 6500K <b>WD</b> · 1800K - 3000K*1	<b>07</b> · 700 (6.1W) <b>10</b> · 1000 (9.1W)	<b>CL</b> · Clear Lens <b>DL</b> · Diffusing Lens	
7 - Body Color	8 - Baffle Color		1 - Canopy Style	2 - Canopy Color		3 - Suspension	
<i>Standard</i> <b>01</b> · White <b>02</b> · Black <b>08</b> · Silver <b>55</b> · Firebrick <b>XX</b> · RAL	<i>Premium</i> <b>52</b> · Mocha <b>53</b> · Charcoal <b>54</b> · Cerulean <b>55</b> · Firebrick <b>XX</b> · RAL	<i>Standard</i> <b>01</b> · White <b>02</b> · Black <b>08</b> · Silver <b>55</b> · Firebrick <b>XX</b> · RAL	<i>Premium</i> <b>52</b> · Mocha <b>53</b> · Charcoal <b>54</b> · Cerulean <b>55</b> · Firebrick <b>XX</b> · RAL	<b>951</b> · Round	<i>Standard</i> <b>01</b> · White <b>02</b> · Black <b>08</b> · Silver <b>55</b> · Firebrick <b>XX</b> · RAL	<b>03</b> · Solid Stem (6' MAX) <i>Contact Senso for custom length</i>	
4 - Stem Color	5 - Driver	Dim Level		Dim Level	6 - Voltage	7 - LED	8 - Lumen
<b>01</b> · White <b>02</b> · Black <b>08</b> · Silver <b>XX</b> · Custom	<b>STD</b> · Non Dimming <b>LCS</b> · 0 - 10 Volt Protocol <b>DIM</b> · Phase*2/3 <b>ELDOLC</b> · 0 - 10 Volt Protocol*3 <b>DALI</b> · Dali Protocol*3	N/A 1% 1% 0.1% 0.1%	<b>LUTES</b> · Hilume Ecodigital*3 <b>LUT2W</b> · 2 Wire for phase*2/3 <b>DMX</b> · Senso*3 <b>EMG</b> · Emergency Driver*3/4 <b>CSMB</b> · Casambi Wireless Control*3/4	1% 1%	<b>120</b> · 120V <b>277</b> · 277V <b>347</b> · 347V*3/5	Same as Fixture	Same as Fixture

\*1 only required with **WD** option

\*2 120V only

\*3 remote mount driver

\*4 second driver required

\*5 not available with ELDO, Lutron or DMX

# LETO 11.5 Wet

WET RATED PENDANT LED DOWNLIGHT

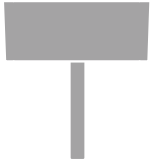
## Canopy / Suspension

**Round Canopy:** W - Ø5.17" [131.24 mm] / H - 2.36" [60mm]

Drivers mounted in the Round Canopy: **STD, LCS**

Drivers remote mounted: **DIM, ELDOLC, DALI, LUTES, LUTW2, DMX, EMG, CSMB**

**Solid Stem**



## Reflectors

Senso metal spun faceted reflectors are specifically designed to retain as much light as possible. This results in a more power efficient fixture with a higher delivered lumen.

**Faceted Reflector**

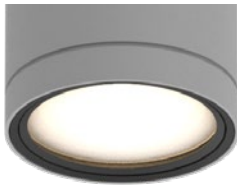


## Accessories

**Clear Lens**



**Diffusing Lens**



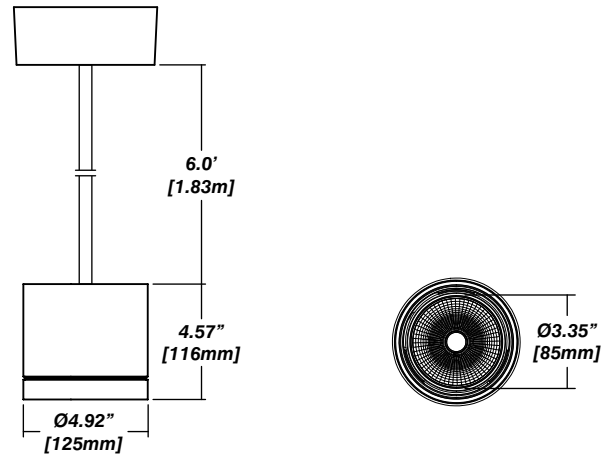
## Installation

- The included canopy fits on a standard junction box
- Silicone seal around canopy (supplied by others)
- Solid stem suspension (specify height) included

## Construction / Finish

- High quality, scratch resistant powder coated finish in standard, premium or custom colors
- GORE® vented shade
- Factory sealed aluminum extruded body for optimized elemental resistance
- Made in Canada

## Dimensions



# LETO 11.5 Wet

WET RATED PENDANT LED DOWNLIGHT



## Photometrics

Senso's in-house photometric testing ensures that our lighting design can match your needs precisely. Our Goniophotometer and testing lab produces on-demand photometry files based on any specified fixture, including LM-79 Test reports, IES Files, and CRI/CCT measurements. See [Sensolighting.com](http://Sensolighting.com) for more information.

*\*Full photometric Reports and IES files available for every configuration*

## Color Metrics

### TM 30-15

Our clients deserve the best information possible about their lighting choices. That's why Senso has invested in the Illuminating Engineering Society (IES) TM 30-15, a new system that measures an LED light source's color rendering properties. Using Senso's state-of-the-art goniophotometer, this method identifies the optimal light source for your project and helps evaluate the trade-offs between efficacy and color rendering. Senso can provide TM 30-15 data for all of our products.

*\*Full Color Metric Info Available at [Sensolighting.com](http://Sensolighting.com)*

## LED Module Performance

**Output:** Up to 106 lumen/Watt

**Efficacy:** Color consistency within a 3-MacAdam Ellipse

**CCT Options:** 2500K - 6500K

**Warm Dim Range:** 1800K - 3000K

**Color Rendering:** 93+ CRI

**Min. R Values:** R<sup>9</sup> - 60 R<sup>1</sup> - 90 R<sup>a</sup> - 100

## Driver and Power Consumption

**Dimming:** 1% dimming standard with 0.1% option  
Casambi wireless control available

**Ripple:** Industry leading Low ripple

**Efficiency:** Power Factor >0.9  
Efficiency over 85%

Class 2 output for safety

**Installation:** Remote mounted

<b>Lumen Option</b>	700lm	1000lm
<b>Fixture Wattage</b>	6.1W	9.1W
<b>Delivered Lumen</b>	647lm	965lm

## Leto Light Distribution: Reflector

