

Cove Channel extrusion - Installation Instructions

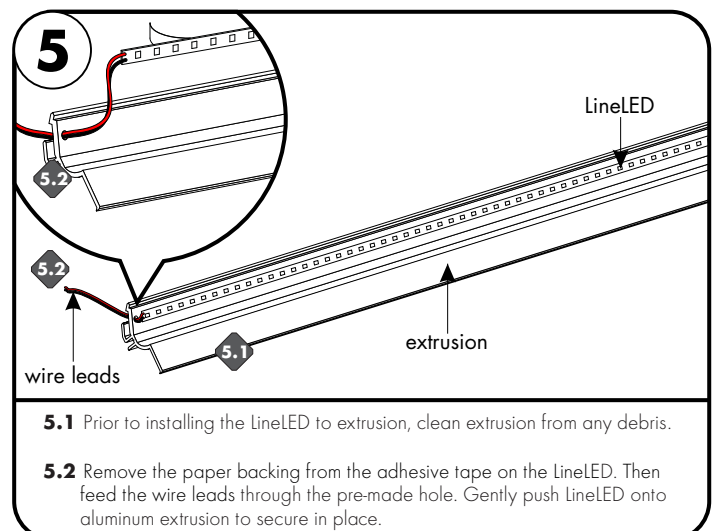
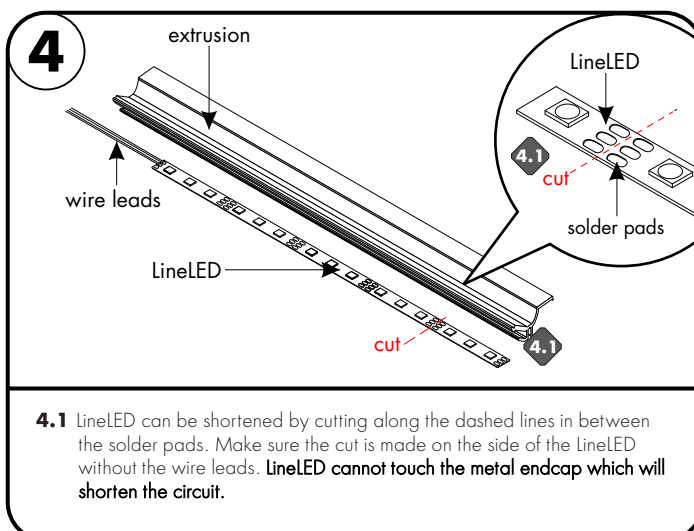
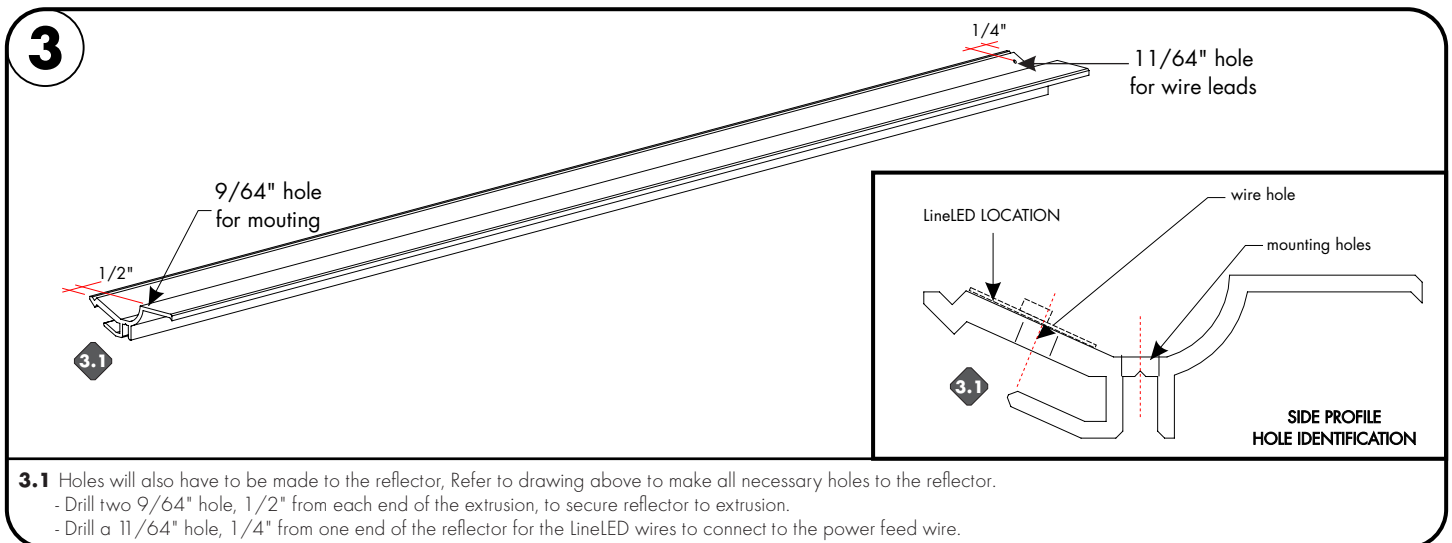
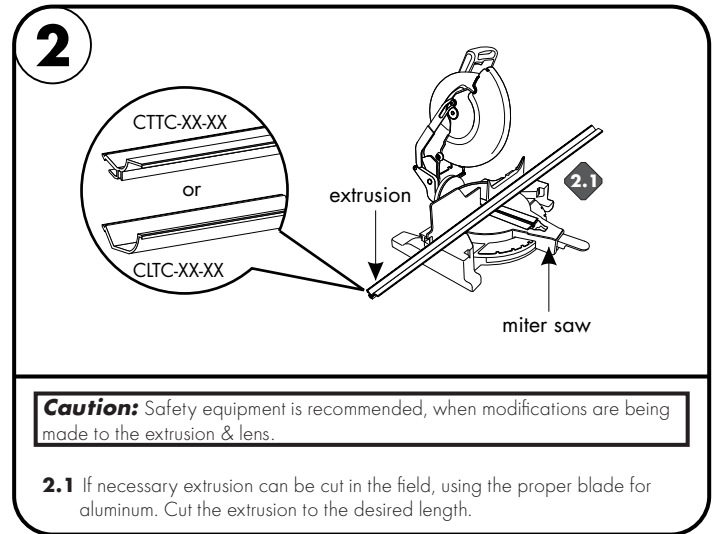
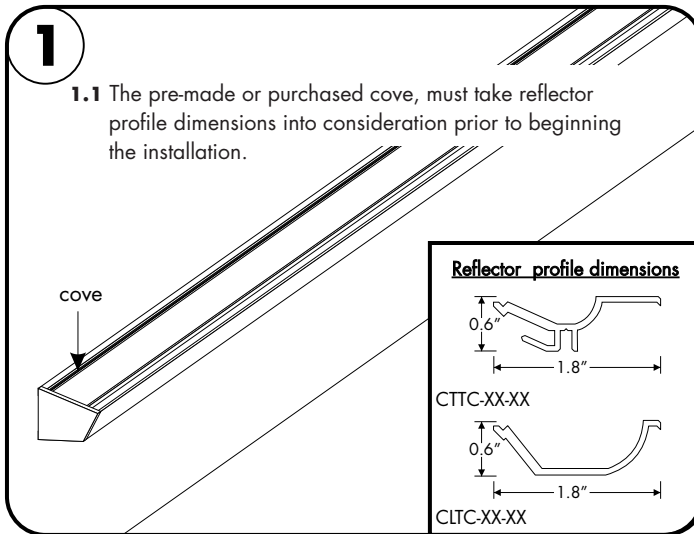
Models CLTC-XX & CTC-XX

Please read all instructions prior to installation and keep for future reference!

T 224.333.6033
www.opticarts.com

1. Product to be installed by a qualified electrician.
2. Prior to installation ensure power is off at fuse box to prevent electrical shock.

Page 1 of 2



Cove Channel extrusion - Installation Instructions

Models CLTC-XX & CTTTC-XX

Please read all instructions prior to installation and keep for future reference!

1. Product to be installed by a qualified electrician.
2. Prior to installation ensure power is off at fuse box to prevent electrical shock.

T 224.333.6033
www.opticarts.com

Page 2 of 2

