



The **CTRLDMX.4CH.3S.W** is a single zone DMX controller with three scene memory and an RGB/RGBW color picker for use with color changing FLEXDC products.

SPECIFICATIONS

ELECTRICAL

Input Voltage	12 - 24 VDC
Current	0.2A Max
Power Consumption	4.8 Watts
Control Output	4 Channels of DMX 512

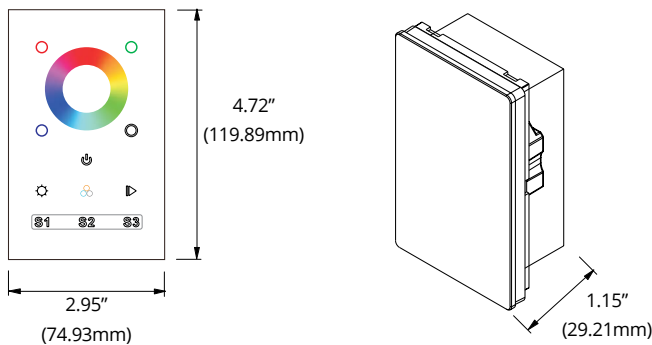
DIMENSIONS

Length (L)	4.72" (119.89mm)
Width (W)	2.95" (74.93mm)
Height (H)	1.15" (29.21mm)

OTHER

- Fits in standard US switch box
- Smooth glass face plate
- Single zone of control
- 4 channels (preset for use with RGB & RGBW)
- 3 scene memory
- Built in color fade programs with speed control
- 5 year warranty

DIMENSIONS



PART NUMBER BUILDER

SERIES
CTRLDMX

+

CHANNEL
4CH - 4 CHANNELS

+

SCENE MEMORY
3S - 3 Scene Memory

+

FACEPLATE COLOR
W - WHITE

CONTROLLER DRIVER - CONTROL POWER SUPPLY (LV10-24N-120-A)



- Driver Type: CV (Constant Voltage)
- Number of Outputs: 1
- Dry and Damp Location
- Output Power: 10W
- Input Voltage Range: 120VAC
- Operating Temperature: -40°C to +90°C
- UL 8750 recognized

INPUT

Voltage Range	120VAC
Frequency Range	60Hz
Power Factor	>0.5
Efficiency	80%
AC Current	0.22A

OUTPUT

Max Power	10 Watts
Max Current	0.42
Max Voltage	24V

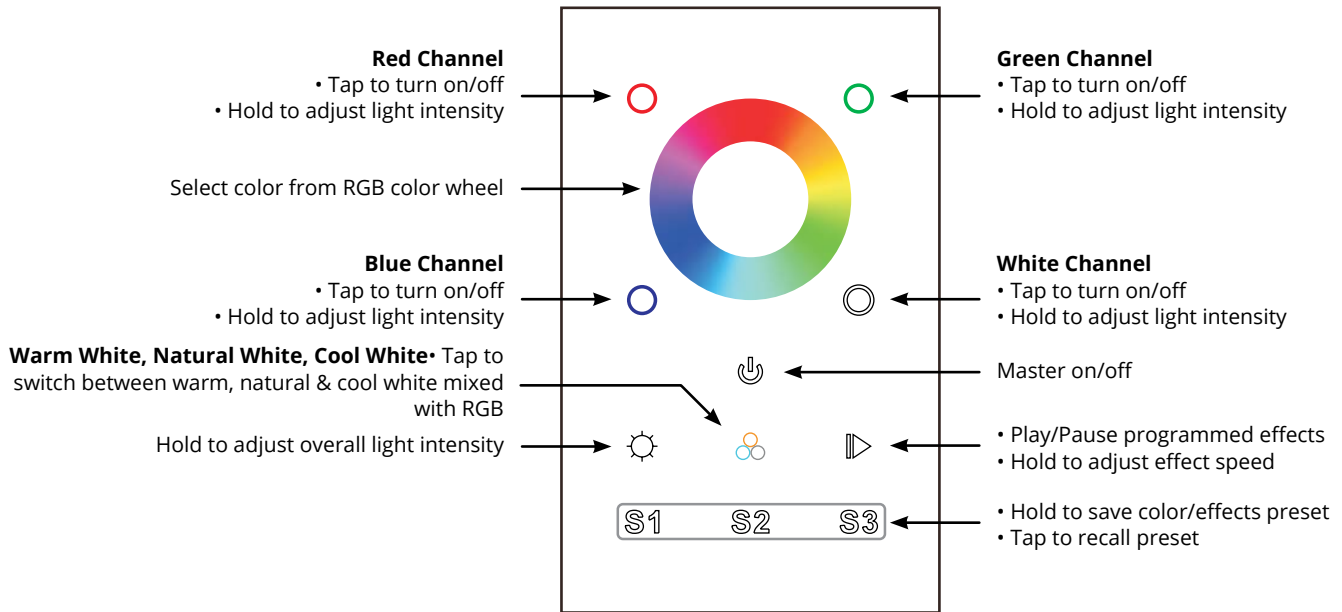
OTHER

Length (L)	2.70" (68.58mm)
Width (W)	1.30" (33.02mm)
Height (H)	0.80" (20.32mm)
Mounting (M)	2.86 lbs
Working Temp. Range	-40 to +90°C
Warranty	5 years

WIRE SPECS

Input	6", #18AWg (White, Black)
Output	6", #22AWG (Red and Blue)

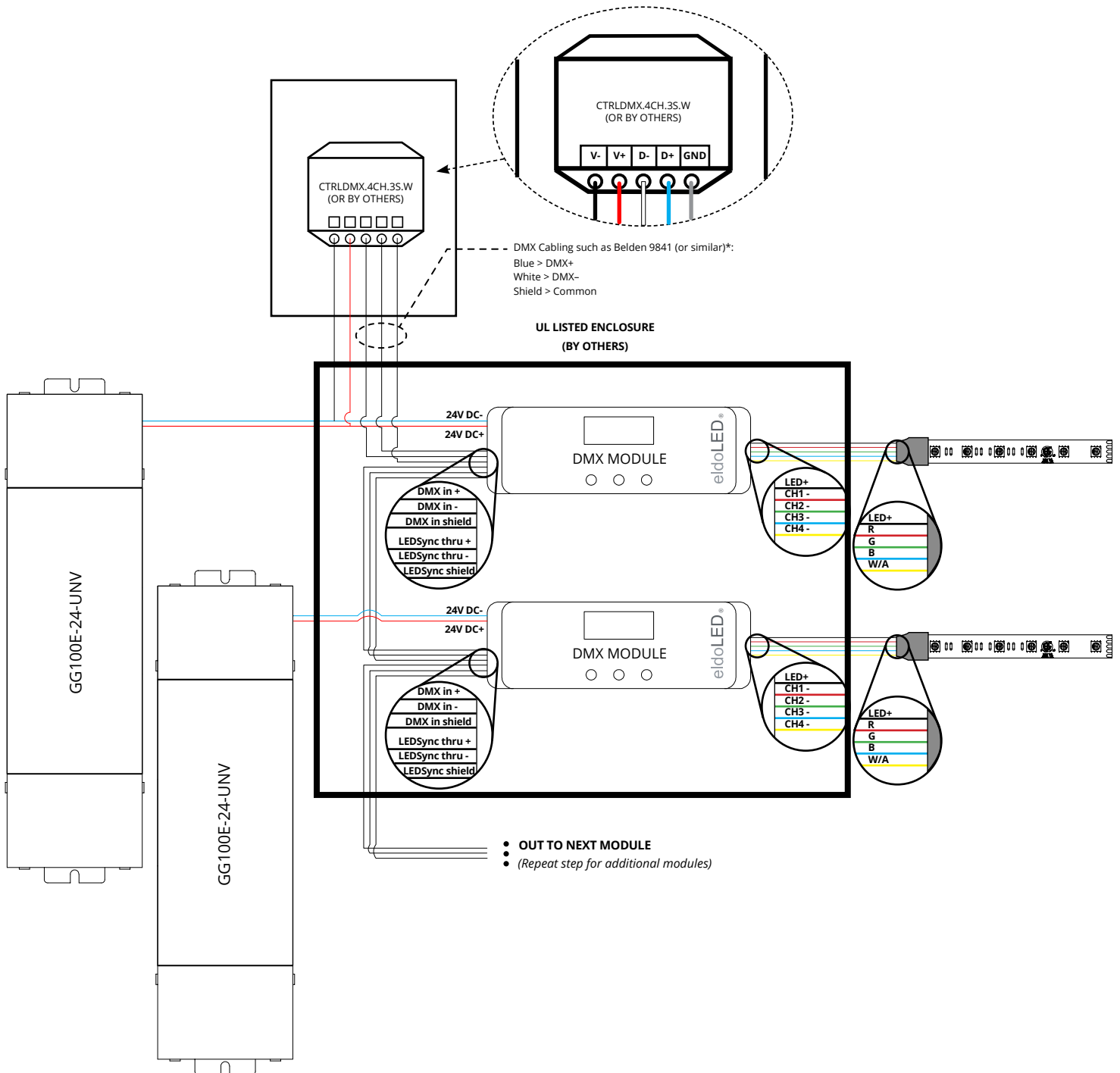
WALL MOUNTED DMX CONTROLLER BUTTON FUNCTIONS



NOTES:

- Set eldoLED DMX Module mode of operation to DMX.
- Set LED Group to RGBW
- Refer to page 2 of [eldoLED DMX Module Quick Start Guide](#)

WIRING DIAGRAMS



ALL DMX CABLING SHALL CONFORM TO ANSI E1.27-2-2009 (R2014), RECOMMENDED PRACTICE FOR PERMANENTLY INSTALLED CONTROL CABLES FOR USE WITH ANSI E1.11 (DMX512-A) AND USITT DMX512/1990 PRODUCTS.

THE MAXIMUM TOTAL LENGTH OF A DAISY-CHAIN DMX CONTROL RUN IS 300 METERS (1,000 FEET) USING THE LOWEST GRADE CABLING CONFORMING TO ANSI E1.27-2-2009 (R2014). IMPROVED WIRE GAUGE AND SHIELDING CAN EXTEND THIS LIMITATION. SOME ADDITIONAL DEVICES SUCH AS REPEATERS OR SPLITTERS MAY ALSO EXTEND THIS LIMITATION. CONSULT MANUFACTURER TO VALIDATE ANY LIMITATION EXTENSIONS.

EVERY DMX CONTROL RUN MUST BE TERMINATED AFTER THE LAST DMX CONTROL MODULE IN A DAISY-CHAIN SEQUENCE WITH A DMX TERMINATOR.

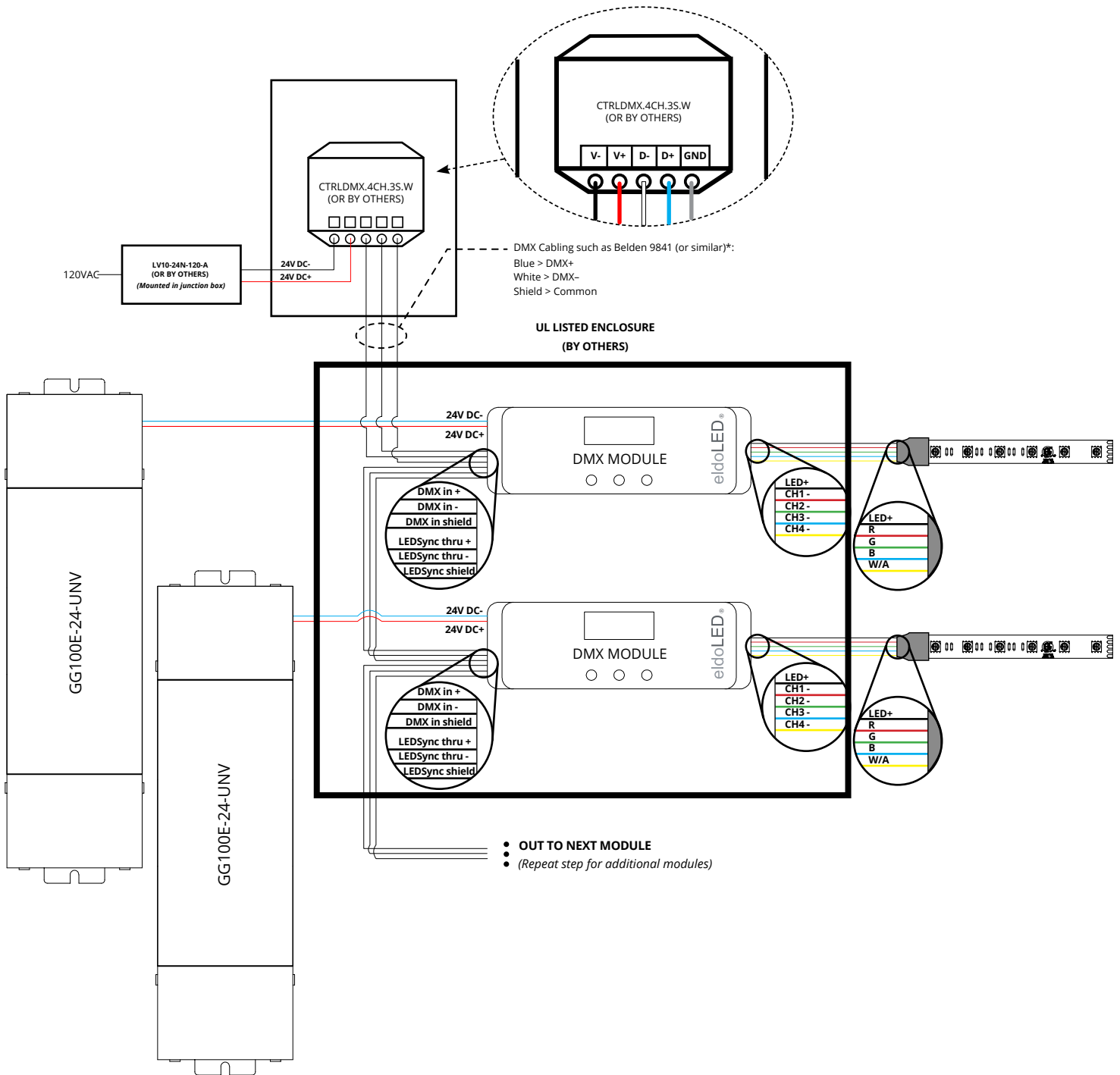
1130 Monterey Pass Rd, Monterey Park, CA 91754

213.250.6069 | customerservice@opticsarts.com | www.opticsarts.com

Optic Arts reserves the right to modify this specification without prior notice.

Last Modified: May 30, 2018 10:56 AM

WIRING DIAGRAMS - LV10-24N-120-A



ALL DMX CABLING SHALL CONFORM TO ANSI E1.27-2-2009 (R2014), RECOMMENDED PRACTICE FOR PERMANENTLY INSTALLED CONTROL CABLES FOR USE WITH ANSI E1.11 (DMX512-A) AND USITT DMX512/1990 PRODUCTS.

THE MAXIMUM TOTAL LENGTH OF A DAISY-CHAIN DMX CONTROL RUN IS 300 METERS (1,000 FEET) USING THE LOWEST GRADE CABLING CONFORMING TO ANSI E1.27-2-2009 (R2014). IMPROVED WIRE GAUGE AND SHIELDING CAN EXTEND THIS LIMITATION. SOME ADDITIONAL DEVICES SUCH AS REPEATERS OR SPLITTERS MAY ALSO EXTEND THIS LIMITATION. CONSULT MANUFACTURER TO VALIDATE ANY LIMITATION EXTENSIONS.

EVERY DMX CONTROL RUN MUST BE TERMINATED AFTER THE LAST DMX CONTROL MODULE IN A DAISY-CHAIN SEQUENCE WITH A DMX TERMINATOR.