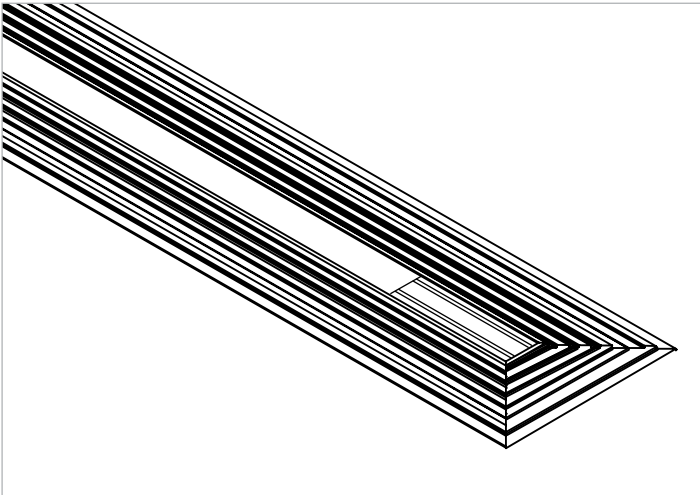




Render; Application: Ceiling



Product Line Drawing

A recessed mud-in system with 100' single piece lens for long, continuous runs.

### FEATURES

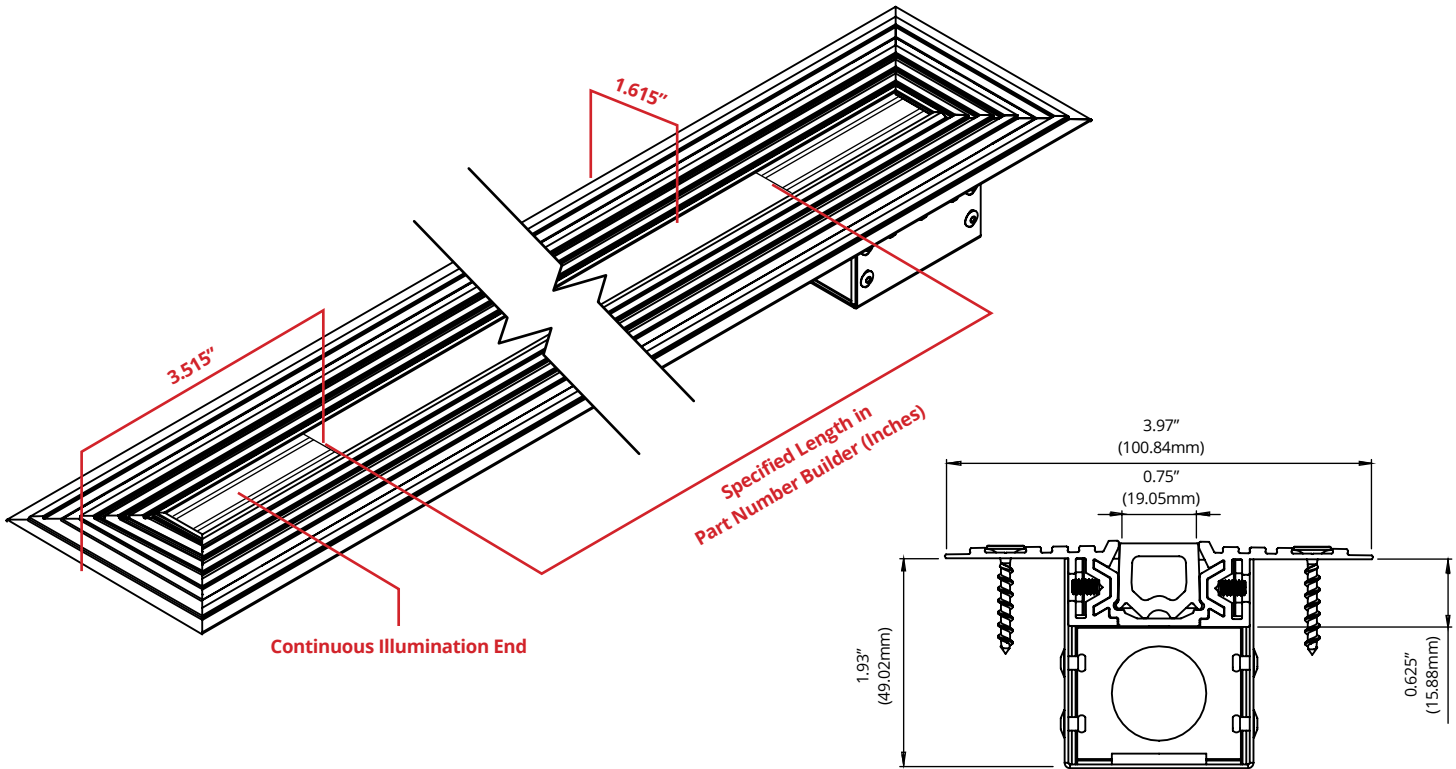
- Recesses into 5/8" drywall
- Seamless lens up to 100' long
- Three Wattage Options for Static White
- Variable White, and RGBW Options

## PART NUMBER BUILDER

SERIES	+	SIZE	+	COLOR <sup>2</sup>	+	LENS	+	WATTAGE	+	DIMMING	+	CONFIGURATION	+	LENGTH
SLOT		0.75		18 = 1800K 23 = 2350K 27 = 2750K <sup>6</sup> 29 = 2930K <sup>6</sup> 35 = 3550K <sup>6</sup> 1835 = Variable White 1800K+3500K <sup>7</sup> 1865 = Variable White 1800K+6500K <sup>7</sup> RGBW		SF = Seamless Flat		20 = FLEX STP 2.0 40 = FLEX STP 4.0 73 = FLEX STP 7.3 50 = FLEX STP RGBW 5.0 <sup>3</sup> 58 = FLEX STP VW 5.8 <sup>4</sup>		MLV = MLV ND = Non-Dim 010 = 0-10V System Dimming VIN = VintageDim® System 0-10V Dimming <sup>5</sup> PDC = Pure DC™ Dimming DMX = DMX System Dimming LN2 = Lutron Hi-Lume® A-Series 2-Wire Dimming LN3 = Lutron Hi-Lume® A-Series 3-Wire/ Ecosystem Dimming LNP = Lutron Hi-Lume® Premier 3-Wire/ Ecosystem Dimming		C1 = SLOTConfig1 C2 = SLOTConfig2		XX = Custom Length (Inches) <sup>1</sup>  1: Determined by luminous length. See drawing on page 2.  Note: Max run length of RGBW = 19' Max run length of VW = 16'

2: CCTs shown represent light engine specifications. Seamless lens material shifts color by up to -250K. 5: Must be used with Variable White. 7: JAB 2016 when used with DMX or VintageDim® (VIN) dimming  
 3: Must be used with DMX Dimming. 6: JAB 2016 when used with 0-10V, DMX, or Lutron Premier (LN3) dimming (FLEX STP VW 5.8 only).  
 4: Must be used with DMX Dimming or VintageDim® Dimming.

## DIMENSIONS



## ELECTRICAL

<b>Input Voltage</b>	24VDC
<b>Dimming Options</b>	<ul style="list-style-type: none"> <li>• PURE DC™</li> <li>• MLV</li> <li>• 0-10V</li> <li>• VintageDim®</li> <li>• DMX</li> <li>• Lutron (2-WIRE, 3-WIRE, EcoSystem)</li> </ul>
<b>Power Consumption</b>	<b>Static White:</b> 2.0W, 4.0W, 7.3W per foot <b>Variable White:</b> 5.8W per foot <b>RGBW:</b> 5.0W per foot
<b>Wire Size</b>	20AWG, 2 and 3 wire 24AWG, 5 wire
<b>Certification</b>	<b>ETL</b> - Conforms to UL Std. 2108; Certified to CSA Std. C22.2 No. 9.0. <b>Title 24</b> - Selected models are JA8 2016 compliant when used with 0-10V, DMX, VintageDim®, or Lutron Premier dimming.

## PHYSICAL

<b>Operating Temperature</b>	-20° C (-40°F) to +50°C (+122°F)
<b>Environment</b>	<b>IP20</b> - Dry Location
<b>Dimensions</b>	See diagrams on pg. 2

## DELIVERED LUMENS

	<b>2.0W</b>	<b>4.0W</b>	<b>7.3W</b>
<b>1800K</b>	71.40 lm/ft	144.00 lm/ft	205.20 lm/ft
<b>2350K</b>	94.80 lm/ft	187.80 lm/ft	259.80 lm/ft
<b>2750K</b>	106.20 lm/ft <sup>8</sup>	202.80 lm/ft <sup>8</sup>	295.80 lm/ft
<b>2950K</b>	113.40 lm/ft <sup>8</sup>	210.00 lm/ft <sup>8</sup>	312.00 lm/ft
<b>3550K</b>	113.40 lm/ft <sup>8</sup>	211.80 lm/ft <sup>8</sup>	327.00 lm/ft
		<b>5.8W</b>	<b>5.0W</b>
<b>VW 1800K-3550K</b>		355.00 lm/ft <sup>9</sup>	N/A
<b>Both colors at 100% (2829K)</b>			
<b>VW 1800K-6500K</b>		349.00 lm/ft <sup>9</sup>	N/A
<b>Both colors at 100% (3556K)</b>			
<b>RGB+2700K</b>		N/A	205.00 lm/ft
<b>All colors at 100%</b>			

Note: Stated lumen values have a tolerance of +/- 10%.

8: JA8 2016 when used with 0-10V, DMX, or Lutron Premier dimming.

9: JA8 2016 when used with DMX or VintageDim® dimming (FLEX STP VW 5.8 only).

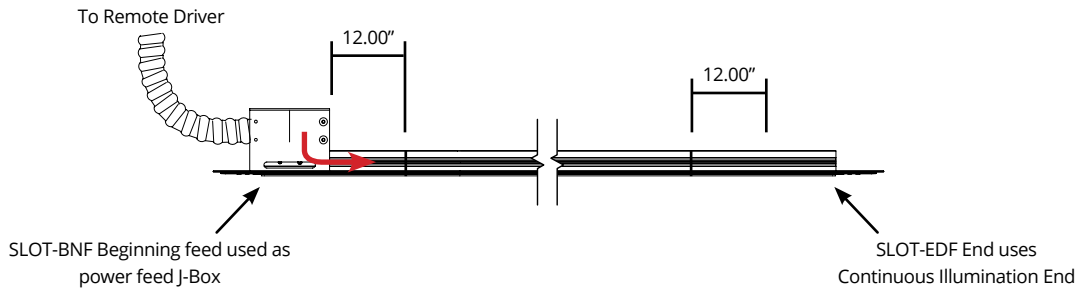
## PERFORMANCE

<b>CRI</b>	<b>1800K</b> = 90+, <b>2350-3550K</b> = 95+, <b>6500K</b> = 95+
<b>Binning Tolerance</b>	+/- 100K
<b>Average LED Life</b>	50,000 L70
<b>Warranty</b>	5 years

## POWER FEED TYPES

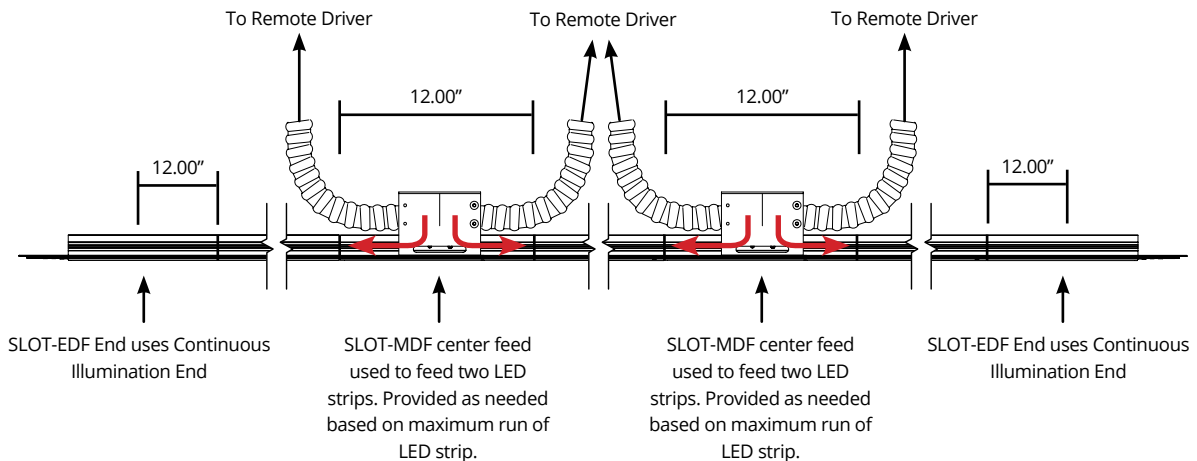
Power Feed types will be selected by factory based on specified length.

**SINGLE** - For runs with a single power feed (Max 40.00' for 2.0W, 24.00' for 4.0W, 13.00' for 7.3W, 16' for VW, and 19' for RGBW)



## CONTINUOUS ROW MOUNT

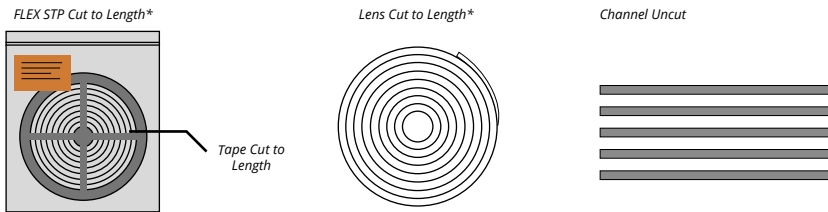
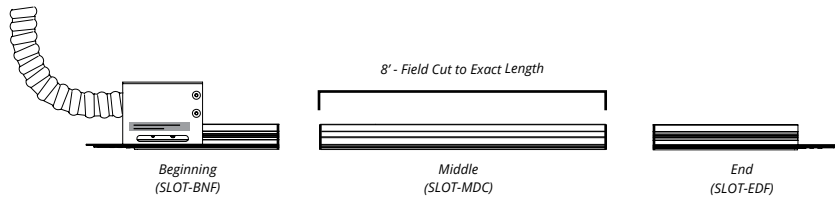
- Unlimited run length
- Power feeds provided at appropriate refeed intervals
- Max one piece lens length is 100.00' - lens will have a seam at each 100.00' interval.
- Feed accessories provided as needed.
- RGBW & Variable White are not available for Continuous Row Mount.



## CONFIGURATION TYPES

### 1 Components Provided for Field Cutting and Assembly

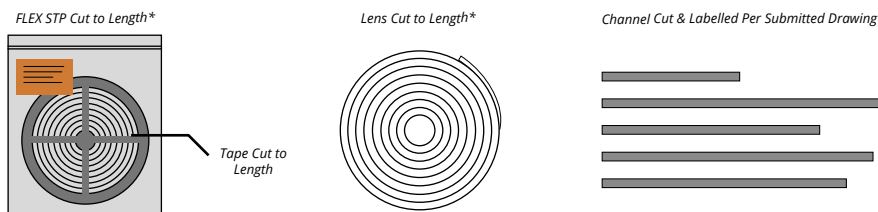
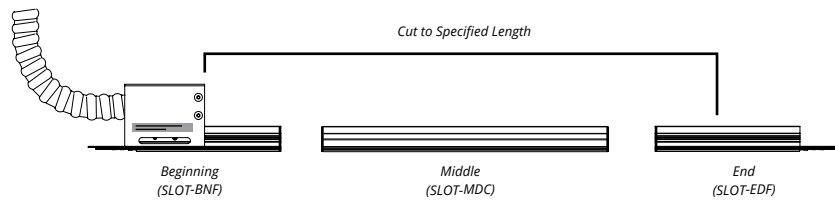
- Specify **SLOTConfig-1**
- Specify run lengths
- Proper number of beginning, middle, and ends provided for specified run length
- Channel in between feeds provided as 8' lengths for field cutting
- **If no config is specified, SLOTConfig-1 will be used**



\*LED Strip & Lens will be built 1.00' longer than specified to be field trimmed for exact fit.

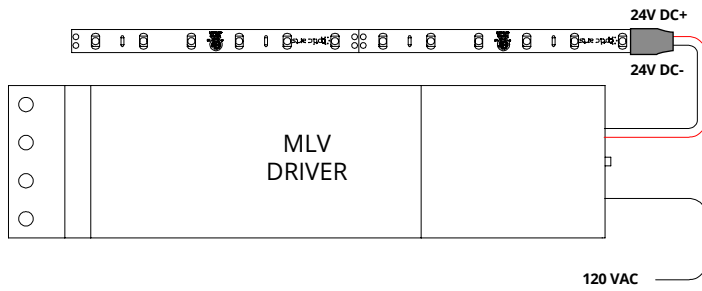
### 2 Cut To Length, Fully Assembled and Labelled for On-Site Assembly

- Specify **SLOTConfig-2**
- Specify run lengths
- System fully engineered and built to specified length – no on-site channel cutting required



\*LED Strip & Lens will be built 1.00' longer than specified to be field trimmed for exact fit.

## COMPATIBLE DRIVERS



## MLV (MLV)

PART	DESCRIPTION
ML10S24VDC	10W 120VAC DIMMABLE DRIVER
ML20S24VDC	20W 120VAC DIMMABLE DRIVER
ML35S24VDC	35W 120VAC DIMMABLE DRIVER
ML35S24VDC-277	35W 277VAC DIMMABLE DRIVER
ML40S24VDC	40W 120VAC DIMMABLE DRIVER
ML50S24VDC	50W 120VAC DIMMABLE DRIVER
ML50S24VDC-277	50W 277VAC DIMMABLE DRIVER
ML60S24VDC	60W 120VAC DIMMABLE DRIVER
ML75S24VDC	75W 120VAC DIMMABLE DRIVER
ML75S24VDC-277	75W 277VAC DIMMABLE DRIVER
ML96S24VDC	96W 120VAC DIMMABLE DRIVER
ML96S24VDC-277	96W 120VAC DIMMABLE DRIVER
EM2-200S24DC	200W 120VAC DIMMABLE DRIVER, 2 96W CIRCUITS
EM3-300S24DC	300W 120VAC DIMMABLE DRIVER, 3 96W CIRCUITS
EM2-200S24DC-277	200W 120VAC DIMMABLE DRIVER, 2 96W CIRCUITS
EM3-300S24DC-277	288W 120VAC DIMMABLE DRIVER, 3 96W CIRCUITS

### DIMENSIONS

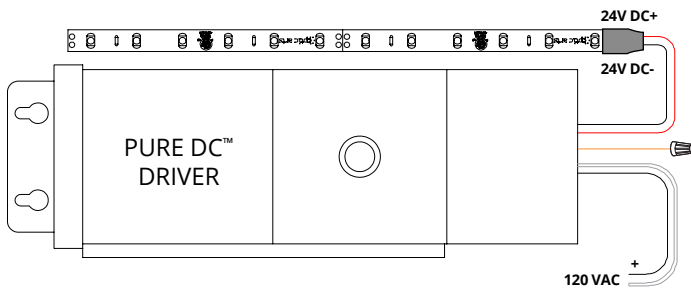
10W-50W	H 2.11"; W 7.38"; D 1.60"
60W-96W	H 3.93"; W 8.13"; D 1.59"
200-300W	H 5.69"; W 10.29"; D 3.13"

### DIMMING PERFORMANCE

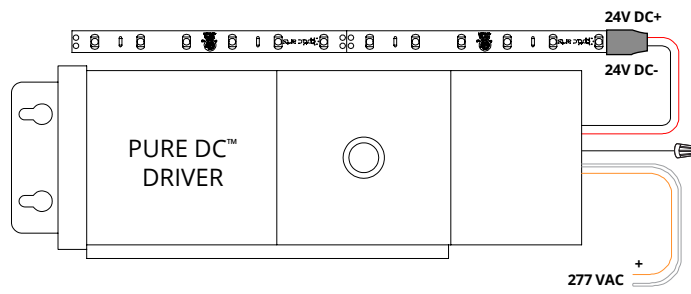
**MLV DRIVER** Dims to 20% on most MLV dimmers

*NOTE: Must be loaded between 75%-100% of rated load to maintain FLEX DC® warranty*

### 120 VAC WIRING



### 277 VAC WIRING



## PURE DC™ MLV (PDC)

PART	DESCRIPTION
PDC.40.24	40W 120/277VAC PURE DC MLV DIMMABLE DRIVER
PDC.96.24	96W 120/277VAC PURE DC MLV DIMMABLE DRIVER

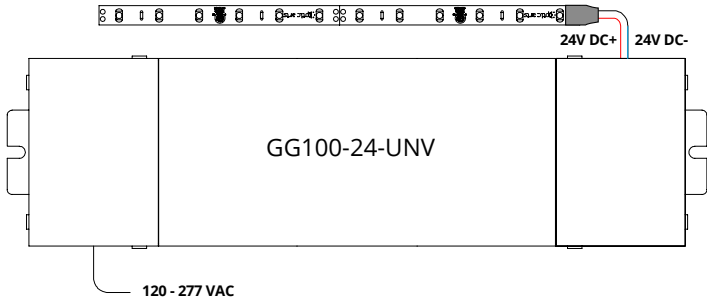
### DIMENSIONS

40W	L 14.25"; W 3.00"; H 2.88"
96W	L 14.75"; W 4.31"; H 4.81"

### DIMMING PERFORMANCE

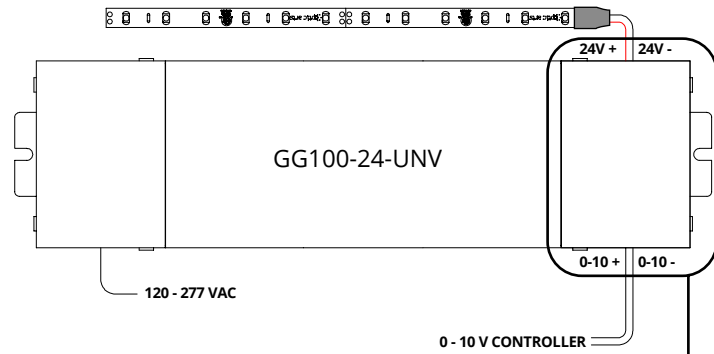
**PURE DC DRIVER** Dims to 0.1% on most MLV dimmers

**COMPATIBLE DRIVERS**



## ELECTRONIC DRIVER - NON-DIM (ND)

PART	DESCRIPTION
GG100E-24-UNV	96W 120-277VAC ELECTRONIC DRIVER
<b>DIMENSIONS</b>	
ELECTRONIC DRIVER	H 3.00"; W 11.46"; D 1.30"
<b>DIMMING PERFORMANCE</b>	
ELECTRONIC DRIVER	Non-Dim

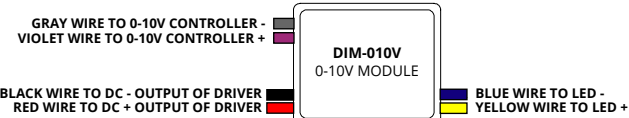


## ELECTRONIC DRIVER W/O-10V MODULE (010)

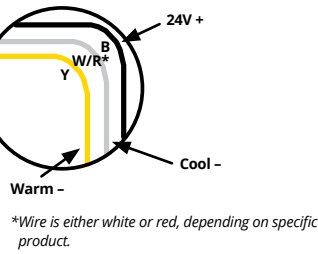
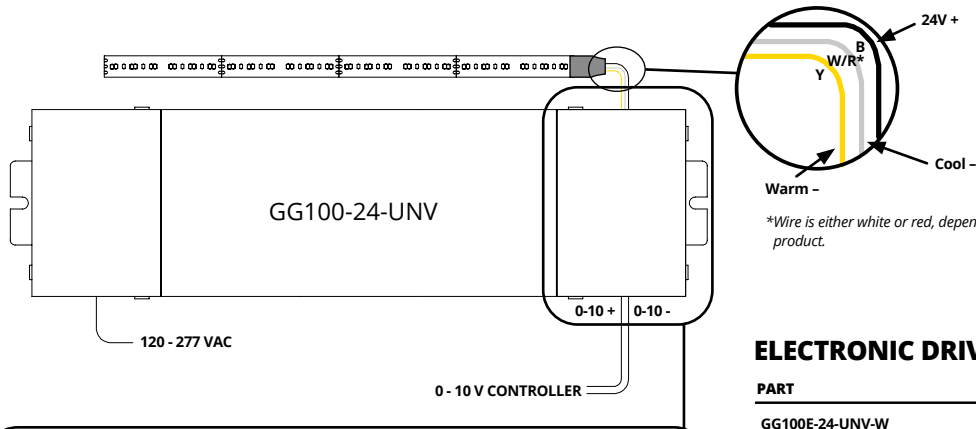
PART	DESCRIPTION
GG100E-24-UNV-010V	96W 120-277VAC ELECTRONIC DRIVER WITH 0-10V DIMMING MODULE (SINK)
<b>DIMENSIONS</b>	
ELECTRONIC DRIVER - 0-10V	H 3.00"; W 11.46"; D 1.30"
<b>DIMMING PERFORMANCE</b>	
ELECTRONIC DRIVER - 0-10V	Dims below 1% on most 0-10V dimmers

**FIELD INSTALLED IN LOW VOLTAGE WIRING COMPARTMENT**

- Install DIM-010V Module in low voltage wiring compartment.
- Max number of 25 modules on one dimmer. Consult dimmer datasheet for maximum device limitation of a specific controller.



## COMPATIBLE DRIVERS



**FIELD INSTALLED IN LOW VOLTAGE WIRING COMPARTMENT**

- Install VintageDim® Module in low voltage wiring compartment.
- Consult dimmer datasheet for maximum device limitation of a specific controller.

GRAY WIRE TO 0-10V CONTROLLER -  
VIOLET WIRE TO 0-10V CONTROLLER +

BLUE WIRE TO DC - OUTPUT OF DRIVER  
RED WIRE TO DC + OUTPUT OF DRIVER

**VintageDim® MODULE**

YELLOW WIRE TO LED (WARM) -  
WHITE WIRE TO LED (COOL) -  
BLACK WIRE TO LED +  
BLACK WIRE TO LED +

\* Cap off one + wire unless using two separate strips

## ELECTRONIC DRIVER W/VintageDim® MODULE (VIN)

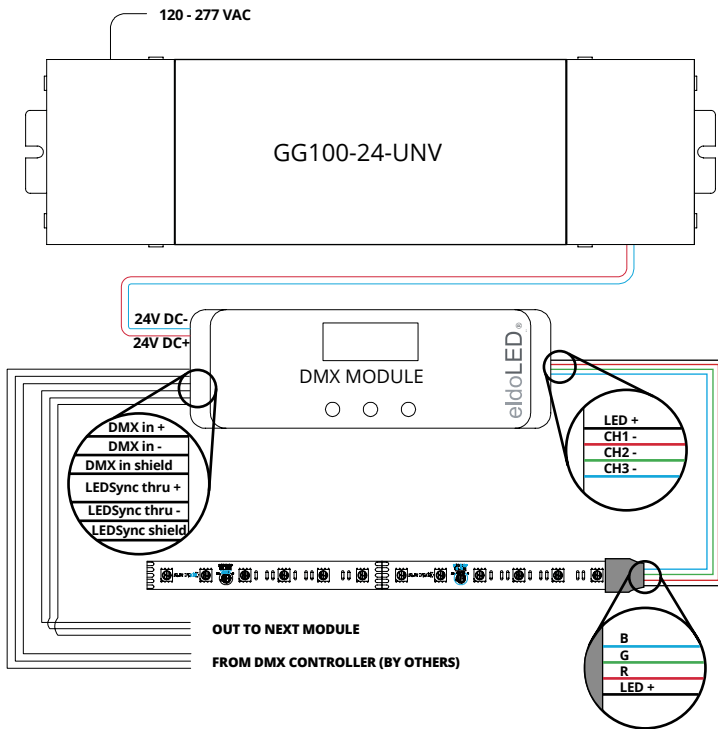
PART	DESCRIPTION
GG100E-24-UNV-W	96W 120-277VAC ELECTRONIC DRIVER WITH VINTAGEDIM® DIMMING MODULE STANDARD DIM TO WARM CURVE
GG100E-24-UNV-C	96W 120-277VAC ELECTRONIC DRIVER WITH VINTAGEDIM® DIMMING MODULE CUSTOM CURVE

**DIMENSIONS**

ELECTRONIC DRIVER	H 3.00"; W 11.46"; D 1.30"
VintageDim® MODULE	H 1.56"; W 1.56"; D 0.78"

**DIMMING PERFORMANCE**

ELECTRONIC DRIVER - VintageDim®	Dims below 1% on most 0-10V dimmers
---------------------------------	-------------------------------------



## ELECTRONIC DRIVER W/DMX MODULE (DMX)

PART	DESCRIPTION
GG100E-24-UNV-DMX	96W 120-277VAC ELECTRONIC DRIVER WITH eldoLED DMX DIMMING MODULE

**DIMENSIONS**

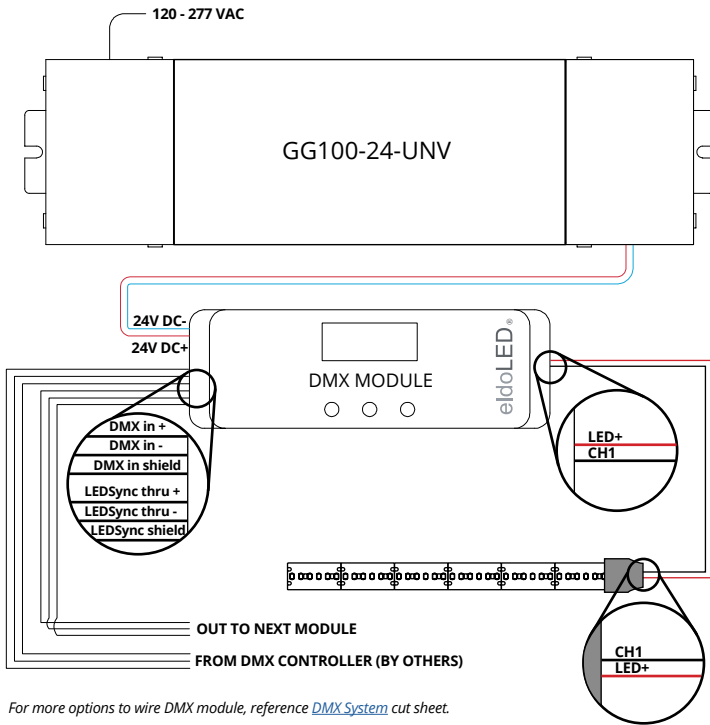
96W	H 3.00"; W 11.46"; D 1.30"
DMX MODULE	H 1.97"; W 6.02"; D 0.91"

\*Must be installed in UL box (by others)

**DIMMING PERFORMANCE**

ELECTRONIC DRIVER - DMX MODULE	Dims to 0.1% on most DMX systems
--------------------------------	----------------------------------

COMPATIBLE DRIVERS



For more options to wire DMX module, reference [DMX System](#) cut sheet.

## ELECTRONIC DRIVER W/DMX MODULE (DMX)

PART	DESCRIPTION
GG100E-24-UNV-DMX	96W 120-277VAC ELECTRONIC DRIVER WITH eldoLED DMX DIMMING MODULE

DIMENSIONS	
96W	H 3.00"; W 11.46"; D 1.30"
DMX MODULE	H 1.97"; W 6.02"; D 0.91"

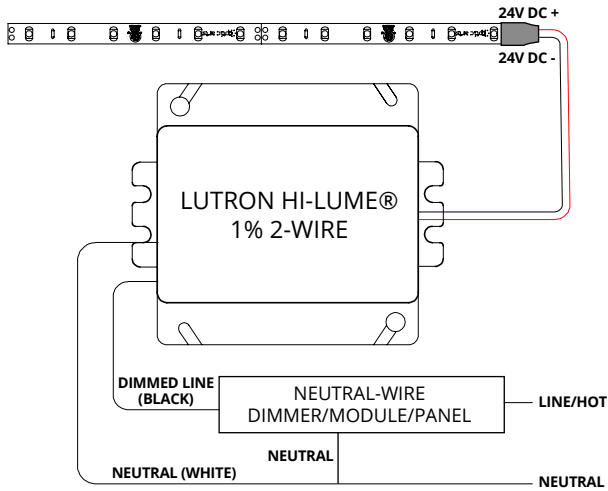
\*Must be installed in UL box (by others)

DIMMING PERFORMANCE	
ELECTRONIC DRIVER - DMX MODULE	Dims to 0.1% on most DMX systems

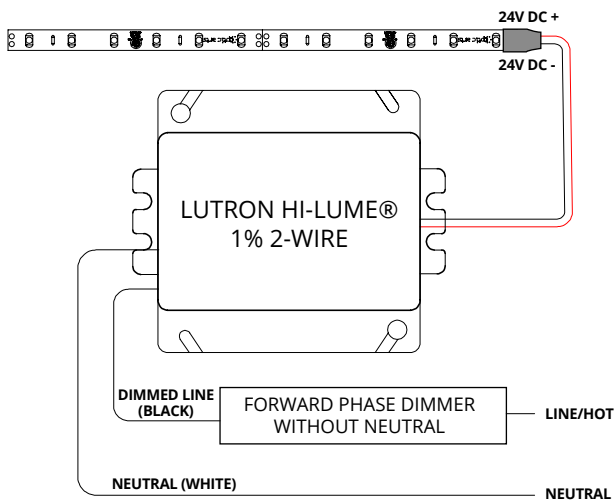


COMPATIBLE DRIVERS

### DIMMER WITH NEUTRAL



### DIMMER WITHOUT NEUTRAL



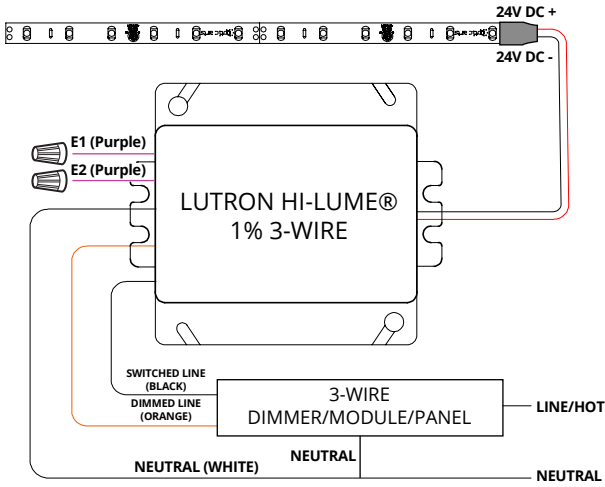
**LUTRON HI-LUME® 1% 2-WIRE (LN2):**  
2-WIRE CONTROL FORWARD PHASE



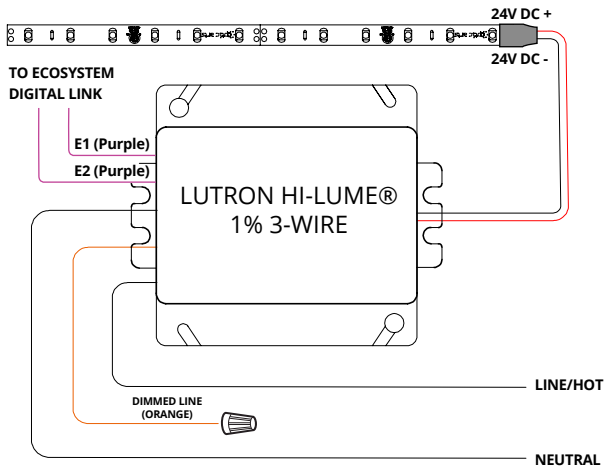
PART	DESCRIPTION
LTEA4U1UKL-CV240	5-40W, 120VAC, 2-WIRE FORWARD PHASE DRIVER
DIMENSIONS	
LUTRON HI-LUME® 1% 2-WIRE	H 4.00"; W 4.89"; D 2.62"
DIMMING PERFORMANCE	
LUTRON HI-LUME® 1% 2-WIRE	Dims to 1% with compatible Lutron controls

COMPATIBLE DRIVERS

### 3-WIRE



### ECOSYSTEM



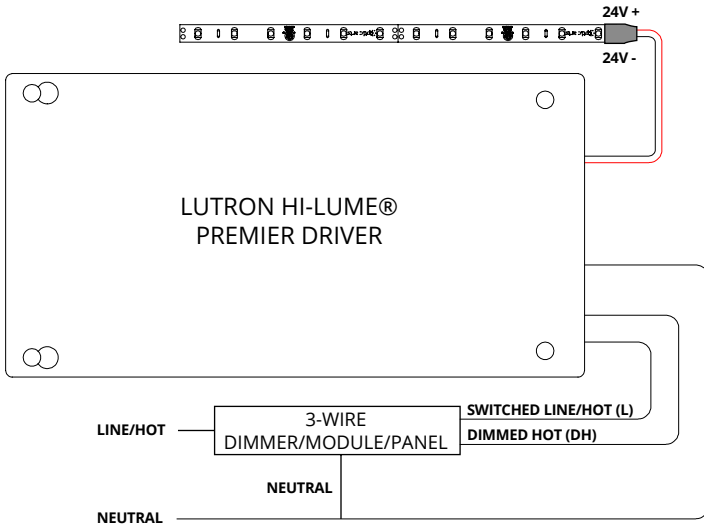
**LUTRON HI-LUME® 1% (LN3):**  
3-WIRE/ECOSYSTEM



PART	DESCRIPTION
L3DA4U1UKL-CV240	5-40W, 120-277VAC, 3-WIRE/ECOSYSTEM DRIVER
DIMENSIONS	
LUTRON HI-LUME® 1% 3-WIRE/ ECOSYSTEM	H 4.00"; W 4.89"; D 2.62"
DIMMING PERFORMANCE	
LUTRON HI-LUME® 1% 3-WIRE/ECOSYSTEM	Dims to 1% with compatible Lutron controls

**COMPATIBLE DRIVERS**

**3-WIRE**



**LUTRON HI-LUME® PREMIER (LNP):**  
3-WIRE/ECOSYSTEM



PART	DESCRIPTION
L3D0-96W24V-U	2-96W, 120-277VAC, 3-WIRE/ECOSYSTEM DRIVER

DIMENSIONS	
LUTRON HI-LUME® PREMIER	H 5.5"; W 10.5"; D 2.0"

DIMMING PERFORMANCE	
LUTRON HI-LUME® PREMIER	Dims to 0.1% with compatible Lutron controls

*NOTE: Lutron soft-on, fade to black technology available with Ecosystem Digital Control only.*

**ECOSYSTEM**

