

NITELIGHT™ CLOSET ROD

Specification Sheet



ELECTRICAL

Input Voltage	24VDC
Dimming Options	0-10 Volt, MLV, DMX, Lutron, PDC
Power Consumption	3.0 Watts per foot/4.4 Watts per foot
Wire Size	18AWG, 2 wire
Certification	ETL - Conforms to UL Std. 2108; Certified to CSA Std. C22.2 No. 9.0. Closet Rated - Suitable for installation in the storage area of a clothes closet.

LIGHT ENGINE LUMEN OUTPUT

	3.0W	4.4W
2000K	174.44 lm/ft 62.44 lm/watt	253.93 lm/ft 56.61 lm/watt
2400K	230.22 lm/ft 76.74 lm/watt	320.54 lm/ft 72.85 lm/watt
2700K	262.59 lm/ft 87.53 lm/watt	367.44 lm/ft 83.51 lm/watt
3000K	265.65 lm/ft 88.55 lm/watt	371.09 lm/ft 84.34 lm/watt
3500K	276.03 lm/ft 92.01 lm/watt	398.72 lm/ft 90.62 lm/watt
4100K	286.77 lm/ft 95.59 lm/watt	392.39 lm/ft 89.18 lm/watt
6000K	272.94 lm/ft 90.98 lm/watt	413.68 lm/ft 94.02 lm/watt

*Stated lumen values have a tolerance of +/- 10%.

PHYSICAL

Operating Temperature	-30° C (-22°F) to +60°C (+140°F)
Environment	IP20 - Dry Location
Diameter	Ø 1 5/16"
Max Length	6.00'
Finish	Satin Silver Anodized, Deep Bronze Anodized*, Matte Black Anodized*, White Powder Coat*, Custom RAL Power Coat*, Chrome*

*Special order finishes. Additional charges and longer lead times may apply.

PERFORMANCE

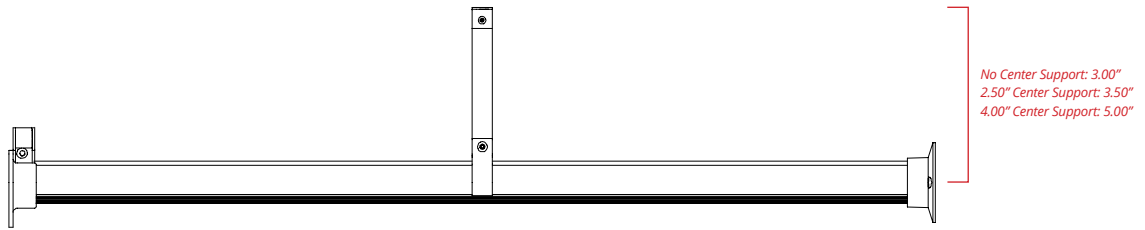
CRI	90+
Lumen Maintenance	50,000 Hours
Binning Tolerance	+/- 100k
Warranty	3 years

PART NUMBER BUILDER

SERIES	+	TYPE	+	FINISH	+	COLOR	+	LENS	+	SLIDE RAIL	+	SIZE	+	CTR SPRT	+	WATTAGE	+	DIMMING	+	LENGTH
NL = Nitelight		CR = Closet Rod		SL = Satin Silver *BZ = Deep Bronze *MB = Matte Black *WH = White Powder Coat *CR = Custom RAL Powder Coat *CH = Chrome		20 = 2000k 24 = 2400k 27 = 2700k 30 = 3000k 35 = 3500k 41 = 4100k 60 = 6000k		CF = Frosted		CL = Clear		SI = Single (Closet Rod 6' and under)		XCH30 = # of Center Hard Support, 3.0" XCH45 = # of Center Hard Support, 4.5" N = None		30 = FLEX DC® 3.0 44 = FLEX DC® 4.4		MLV = MLV ND = Non-Dim 010 = 0-10V Dimming PDC = Pure DC Dimming DMX = DMX Dimming LN2 = Lutron Hi-Lume® A-Series 2-Wire Dimming LN3 = Lutron Hi-Lume® A-Series 3-Wire/Ecosystem Dimming		XX = Custom Length** (Inches) **Determined by interior wall to wall dimension of closet

*Special order finishes. Additional charges and longer lead times may apply.

FUNCTIONALITY



WEIGHT RATINGS*

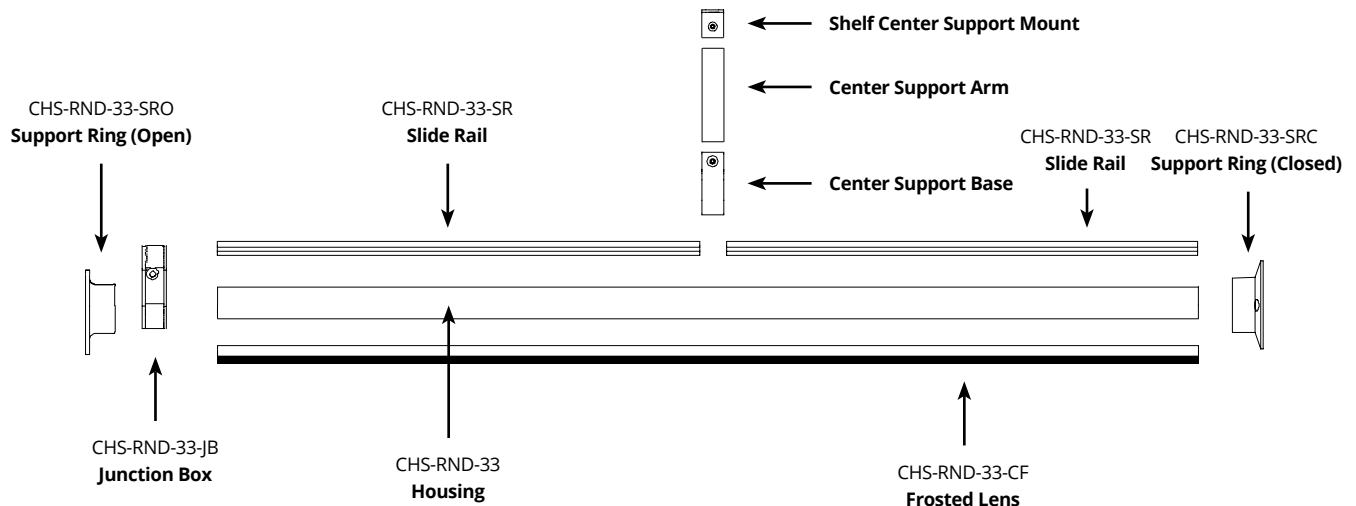
4' & Under, No Center Support	20 lbs/ft
4' & under w/Center Support	25 lbs/ft
Over 4', Center Support Required	20 lbs/ft

*Weight ratings have been tested & verified by Intertek to meet UL 2108 standards.

Clothing Weight Reference

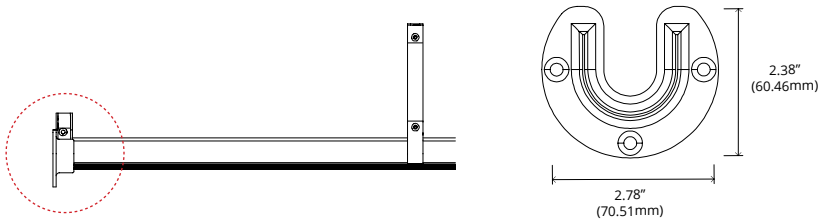
Jeans: 1.5lbs
Shirts: 0.5lbs
Suits: 4.0lbs

EXPLODED VIEW



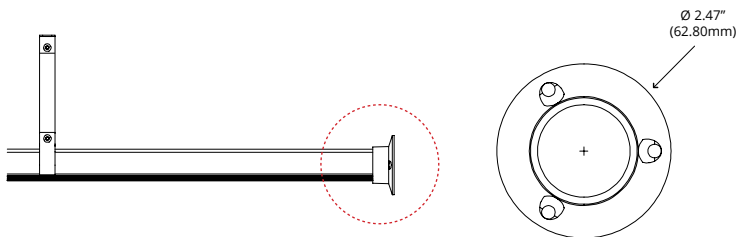
ACCESSORIES

SUPPORT RING (OPEN) - CHS-RND-33-SRO



- One open support ring will be included with each Closet Rod span.

SUPPORT RING (CLOSED) - CHS-RND-33-SRC



- One closed support ring will be included with each Closet Rod span.

JUNCTION BOX - CHS-RND-33-JB

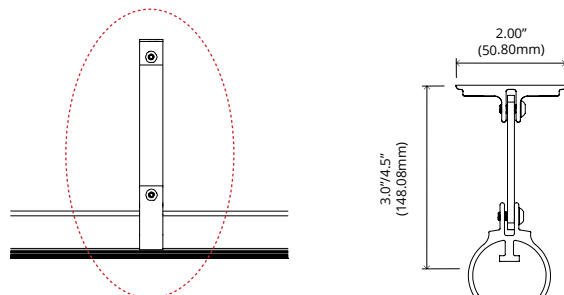


- Endcap Junction Box allows final connection to driver to be made directly at the fixture if needed.
- Wire exit holes on either side of box allow for surface mounting of wire when penetrating closet is not possible.

*Recommended side exit wire: **Belden 18AWG 2 Conductor: 5300UE-0091000 or similar by others**

- Endcap Junction Box ships installed on fixture and engages with open support ring during installation to prevent rotation of fixture.

CENTER SUPPORT - CHS-RND-33-SRCR30 CHS-RND-33-SRCR45



- CHS-RND-33-SRCR30: 3.0" from shelf or mounting surface
- CHS-RND-33-SRCR45: 4.5" from shelf or mounting surface
- *An additional 0.63" gap must be field cut out of slide rail wherever Center Support is mounted.

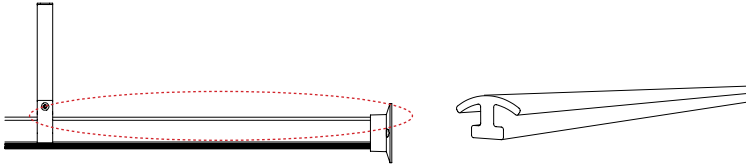
WEIGHT RATINGS*

4' & Under, No Center Support	20 lbs/ft
4' & under w/Center Support	25 lbs/ft
Over 4', Center Support Required	20 lbs/ft

*Weight ratings have been tested & verified by Intertek to meet UL 2108 standards.

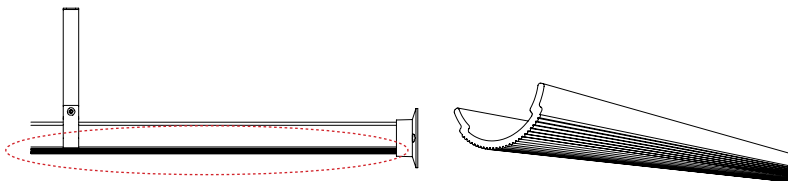
ACCESSORIES

SLIDE RAIL - CHS-RND-33-SR



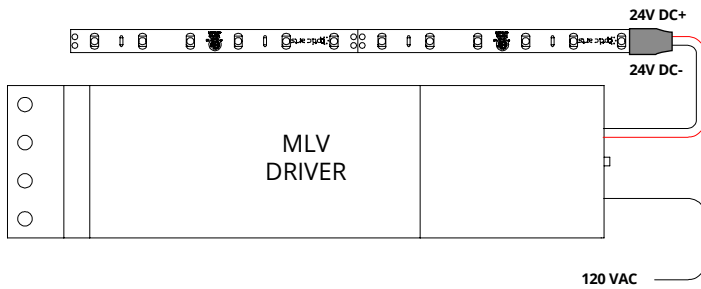
- Slide rail comes installed on the Closet Rod and allows for clothes hangers to slide without damaging the rod's finish
- Standard color is clear

LENS COVER - CHS-RND-33-CF



- The Closet Rod ships standard with a frosted lens

COMPATIBLE DRIVERS



MLV (MLV)

PART	DESCRIPTION
ML10S24VDC	10W 120VAC DIMMABLE DRIVER
ML20S24VDC	20W 120VAC DIMMABLE DRIVER
ML35S24VDC	35W 120VAC DIMMABLE DRIVER
ML35S24VDC-277	35W 277VAC DIMMABLE DRIVER
ML40S24VDC	40W 120VAC DIMMABLE DRIVER
ML50S24VDC	50W 120VAC DIMMABLE DRIVER
ML50S24VDC-277	50W 277VAC DIMMABLE DRIVER
ML60S24VDC	60W 120VAC DIMMABLE DRIVER
ML75S24VDC	75W 120VAC DIMMABLE DRIVER
ML75S24VDC-277	75W 277VAC DIMMABLE DRIVER
ML96S24VDC	96W 120VAC DIMMABLE DRIVER
ML96S24VDC-277	96W 120VAC DIMMABLE DRIVER
EM2-200S24DC	200W 120VAC DIMMABLE DRIVER, 2 96W CIRCUITS
EM3-300S24DC	300W 120VAC DIMMABLE DRIVER, 3 96W CIRCUITS
EM2-200S24DC-277	200W 120VAC DIMMABLE DRIVER, 2 96W CIRCUITS
EM3-300S24DC-277	288W 120VAC DIMMABLE DRIVER, 3 96W CIRCUITS

DIMENSIONS

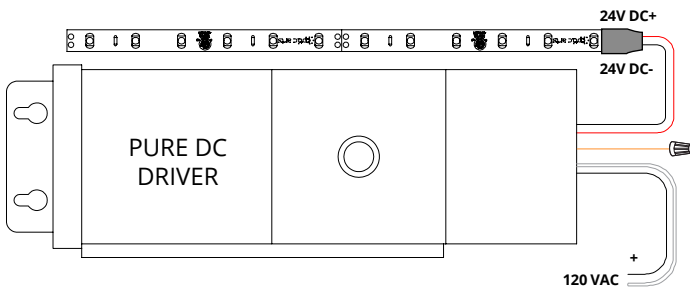
10W-50W	H 2.11"; W 7.38"; D 1.60"
60W-96W	H 3.93"; W 8.13"; D 1.59"
200-300W	H 5.69"; W 10.29"; D 3.13"

DIMMING PERFORMANCE

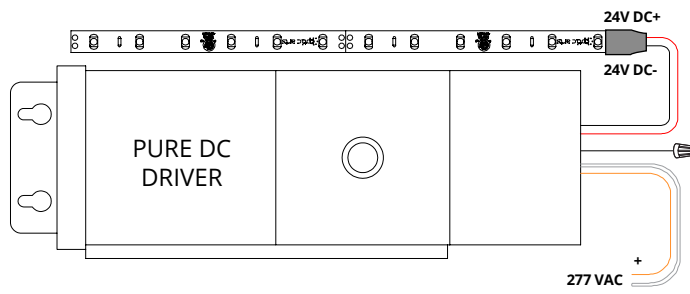
MLV DRIVER Dims to 20% on most MLV dimmers

NOTE: Must be loaded between 75%-100% of rated load to maintain FLEX DC warranty

120 VAC WIRING



277 VAC WIRING



PURE DC MLV (PDC)

PART	DESCRIPTION
PDC.40.24	40W 120/277VAC PURE DC MLV DIMMABLE DRIVER
PDC.96.24	96W 120/277VAC PURE DC MLV DIMMABLE DRIVER

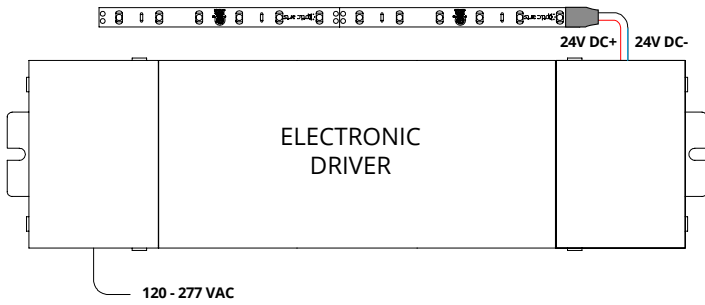
DIMENSIONS

40W	L 14.25"; W 3.00"; H 2.88"
96W	L 14.75"; W 4.31"; H 4.81"

DIMMING PERFORMANCE

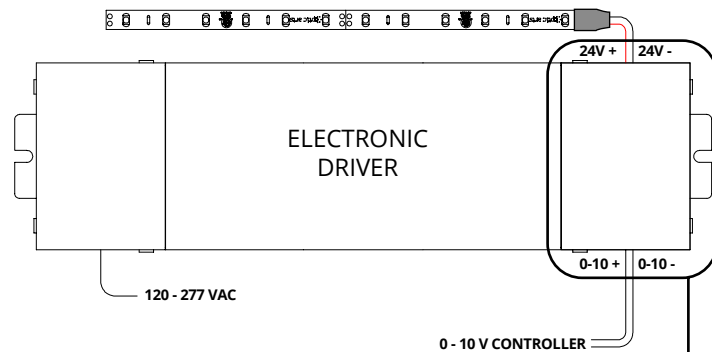
PURE DC DRIVER Dims to 0.1% on most MLV dimmers

COMPATIBLE DRIVERS



ELECTRONIC DRIVER - NON-DIM (ND)

PART	DESCRIPTION
GG100E-24-UNV	96W 120-277VAC ELECTRONIC DRIVER
DIMENSIONS	
ELECTRONIC DRIVER	H 3.00"; W 11.46"; D 1.30"
DIMMING PERFORMANCE	
ELECTRONIC DRIVER	Non-Dim

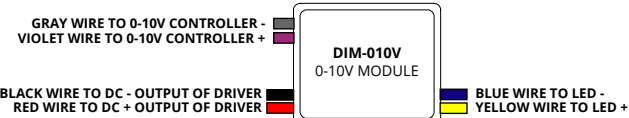


ELECTRONIC DRIVER W/O-10V MODULE (010)

PART	DESCRIPTION
GG100E-24-UNV-010V	96W 120-277VAC ELECTRONIC DRIVER WITH 0-10V DIMMING MODULE (SINK)
DIMENSIONS	
ELECTRONIC DRIVER - 0-10V	H 3.00"; W 11.46"; D 1.30"
DIMMING PERFORMANCE	
ELECTRONIC DRIVER - 0-10V	Dims below 1% on most 0-10V dimmers

FIELD INSTALLED IN LOW VOLTAGE WIRING COMPARTMENT

- Install DIM-010V Module in low voltage wiring compartment.
- Max number of 25 modules on one dimmer. Consult dimmer datasheet for maximum device limitation of a specific controller.

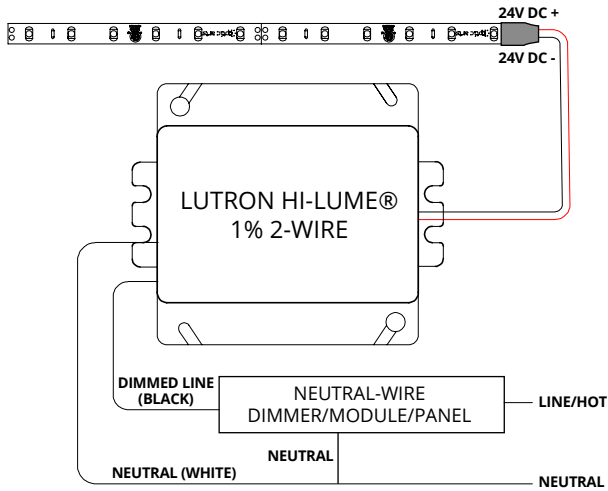


NITELIGHT™ CLOSET ROD

Specification Sheet

COMPATIBLE DRIVERS

DIMMER WITH NEUTRAL



LUTRON HI-LUME® 1% 2-WIRE (LN2):
2-WIRE CONTROL FORWARD PHASE

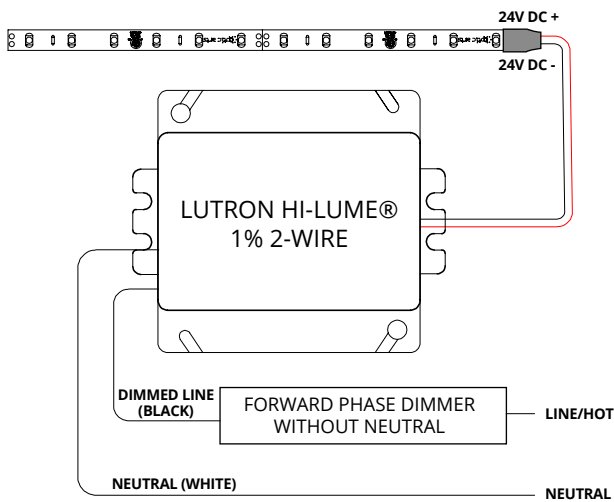


PART	DESCRIPTION
LTEA4U1UKL-CV240	5-40W, 120VAC, 2-WIRE FORWARD PHASE DRIVER

DIMENSIONS	
LUTRON HI-LUME® 1% 2-WIRE	H 4.00"; W 4.89"; D 2.62"

DIMMING PERFORMANCE	
LUTRON HI-LUME® 1% 2-WIRE	Dims to 1% with compatible Lutron controls

DIMMER WITHOUT NEUTRAL

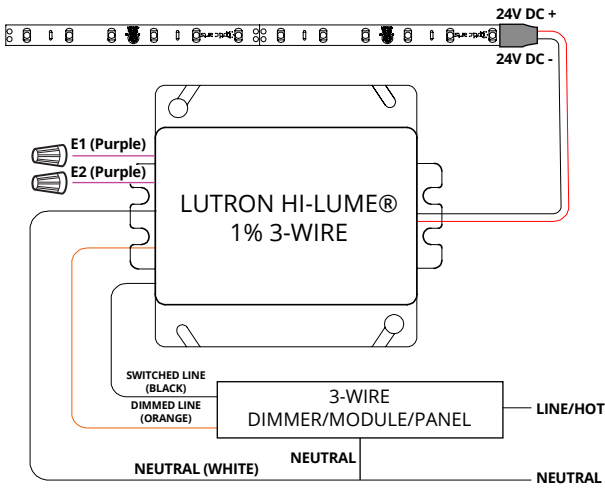


NITELIGHT™ CLOSET ROD

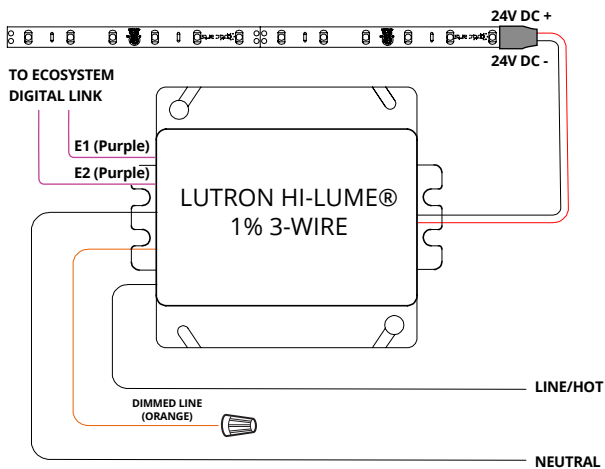
Specification Sheet

COMPATIBLE DRIVERS

3-WIRE



ECOSYSTEM



LUTRON HI-LUME® 1% (LN3):
3-WIRE/ECOSYSTEM



PART	DESCRIPTION
L3DA4U1UKL-CV240	5-40W, 120-277VAC, 3-WIRE/ECOSYSTEM DRIVER
DIMENSIONS	
LUTRON HI-LUME® 1% 3-WIRE/ ECOSYSTEM	H 4.00"; W 4.89"; D 2.62"
DIMMING PERFORMANCE	
LUTRON HI-LUME® 1% 3-WIRE/ECOSYSTEM	Dims to 1% with compatible Lutron controls