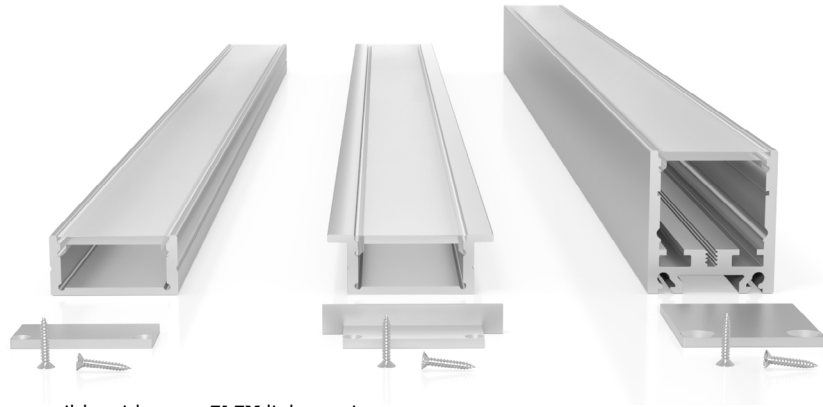


# MEDIUM CHANNEL



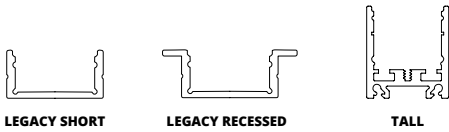
Medium anodized extrusions compatible with most **FLEX** light engines.

## CHANNEL OPTIONS

MATERIAL	FINISHES	
Anodized aluminum	<ul style="list-style-type: none"> <li>Satin Silver</li> <li>Deep Bronze Anodized<sup>1</sup></li> <li>Matte Black Anodized<sup>1</sup></li> <li>White Powder Coat</li> <li>Blue Powder Coat<sup>1</sup></li> </ul>	<ul style="list-style-type: none"> <li>Red Powder Coat<sup>1</sup></li> <li>Gray Powder Coat<sup>1</sup></li> <li>Chrome<sup>1</sup></li> <li>Custom RAL Powder Coat<sup>1</sup></li> </ul>

<sup>1</sup>: Special order finishes may increase order lead time and incur an added cost.

## CHANNEL TYPE



LEGACY SHORT

LEGACY RECESSED

TALL

## COMBINATIONS

Note: All combinations come with fitted endcap for each end.

DIMENSIONS	LEGACY SHORT CHANNEL + FLAT LENS <i>(Previously Known As CHW-5-2010 &amp; CHW-R-1210)</i>			TALL CHANNEL + FLAT LENS		
	<b>A:</b> 0.90" (23.11mm)	<b>B:</b> 0.75" (19.05mm)	<b>D:</b> 2.00" (50.08mm)	<b>A:</b> 0.90" (23.11mm)	<b>B:</b> 0.75" (19.05mm)	<b>C:</b> 1.02" (26.16mm)
<b>BLENDED FLEX W/MILKY LENS</b>	—			<ul style="list-style-type: none"> <li>FLEX STP 20</li> <li>FLEX STP 40</li> </ul>	<ul style="list-style-type: none"> <li>FLEX STP 70</li> <li>FLEX DC<sup>®</sup> 30</li> </ul>	<ul style="list-style-type: none"> <li>FLEX DC<sup>®</sup> 88</li> </ul>
<b>CENTER BLENDED FLEX W/MILKY LENS</b>	<ul style="list-style-type: none"> <li>FLEX STP 20</li> </ul>	<ul style="list-style-type: none"> <li>FLEX STP 40</li> </ul>	<ul style="list-style-type: none"> <li>FLEX STP 70</li> </ul>	—		
<b>NOT BLENDED</b>	<ul style="list-style-type: none"> <li>FLEX DC<sup>®</sup> 15</li> <li>FLEX DC<sup>®</sup> 22</li> <li>FLEX DC<sup>®</sup> 30</li> </ul>	<ul style="list-style-type: none"> <li>FLEX DC<sup>®</sup> 44</li> <li>FLEX DC<sup>®</sup> 88</li> <li>FLEX DC<sup>®</sup> 44 RGBW</li> </ul>	<ul style="list-style-type: none"> <li>FLEX DC<sup>®</sup> 88 RGBW<sup>3</sup></li> <li>FLEX DC<sup>®</sup> QUAD</li> <li>FLEX STP RGBW</li> </ul>	<ul style="list-style-type: none"> <li>FLEX DC<sup>®</sup> 15</li> <li>FLEX DC<sup>®</sup> 44</li> <li>FLEX DC<sup>®</sup> 44 RGBW</li> <li>FLEX DC<sup>®</sup> 88</li> </ul>	<ul style="list-style-type: none"> <li>FLEX DC<sup>®</sup> 88 RGBW</li> <li>FLEX DC<sup>®</sup> 44 RGBW</li> <li>FLEX DC<sup>®</sup> 44 QUAD</li> <li>FLEX STP RGBW</li> </ul>	

<sup>3</sup>: IP20 (FLEX STP) or IP40 (FLEX DC) Only

## PART NUMBER BUILDER

CHANNEL	CHANNEL SIZE	CHANNEL TYPE	FINISH	LENS TYPE	LENS DIFFUSION	MOUNTING
CH-MD = Channel Medium	LS = Legacy Short TL = Tall <sup>5</sup>	SF = Surface RE = Recessed <sup>4</sup>	SS = Satin Silver MB = Matte Black Anodized <sup>9</sup> BZ = Deep Bronze Anodized <sup>9</sup> WH = White Powder Coat <sup>9</sup> GY = Gray Powder Coat <sup>9</sup>	FL = Flat	CC = Clear CF = Frosted CM = Milky	NA = Direct Surface MC = Mounting Clip <sup>7</sup> RC = Rotating Clip <sup>7</sup> PD = Pendant <sup>7,8</sup>
			BL = Blue Powder Coat <sup>9</sup> RD = Red Powder Coat <sup>9</sup> CH = Chrome <sup>9</sup> CR = Custom RAL Powder Coat <sup>9</sup>			

<sup>4</sup>: Not available for tall channel.  
<sup>5</sup>: Only available in surface channel type.

<sup>7</sup>: Not compatible with recessed options.  
<sup>8</sup>: Not available with Lite option.

<sup>9</sup>: Special order finishes may increase order lead time and incur an added cost.

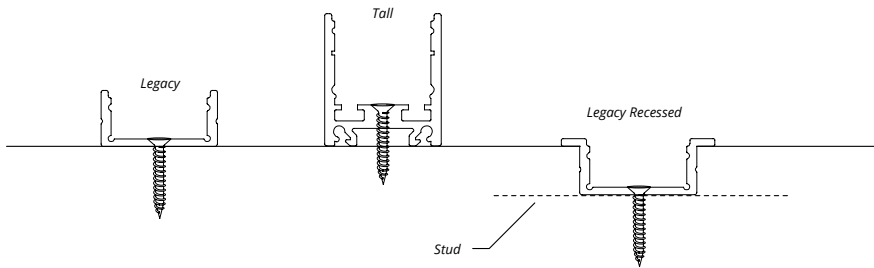
716 Monterey Pass Rd, Monterey Park, CA 91754  
213.250.6069 | info@opticsarts.com | www.opticsarts.com

# MEDIUM CHANNEL

## MOUNTING OPTIONS

### DIRECT SURFACE

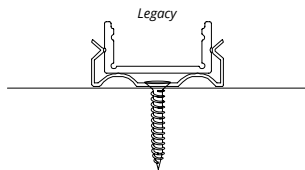
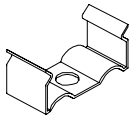
Compatible Channel: Legacy, Legacy Recessed, Tall



### MOUNTING CLIP (LITE)

Compatible Channel: Legacy

CH-SF-LMC



#### CHANNEL TYPE

#### DIMENSIONS W/CLIP

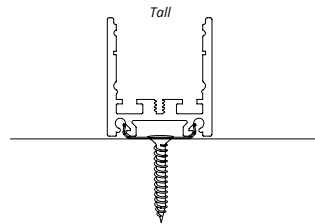
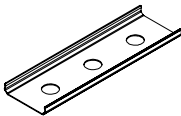
Legacy

H: 0.48" (12.19mm); W: 1.02" (25.80mm)

### MOUNTING CLIP (TALL)

Compatible Channel: Tall

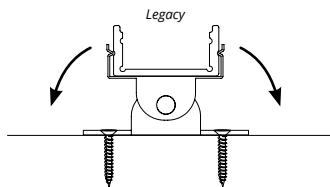
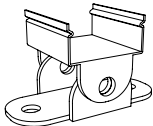
CH-SF-MC



### ROTATING CLIP (LITE)

Compatible Channel: Legacy

CH-SF-LMC-R



#### CHANNEL TYPE

#### DIMENSIONS W/CLIP

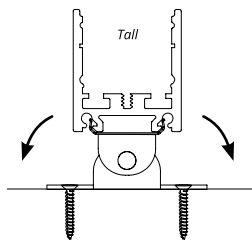
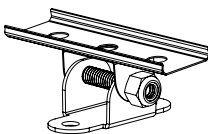
Legacy

H: 1.10" (27.94mm); W: 1.44" (36.58mm)

### ROTATING CLIP (TALL)

Compatible Channel: Tall

CH-SF-MC-R



#### CHANNEL TYPE

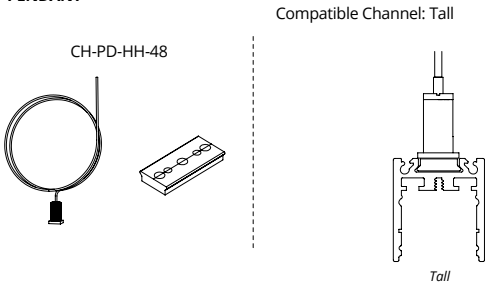
#### DIMENSIONS W/CLIP

Tall

H: 1.67" (42.41mm); W: 1.44" (36.58mm)

# MEDIUM CHANNEL

## PENDANT

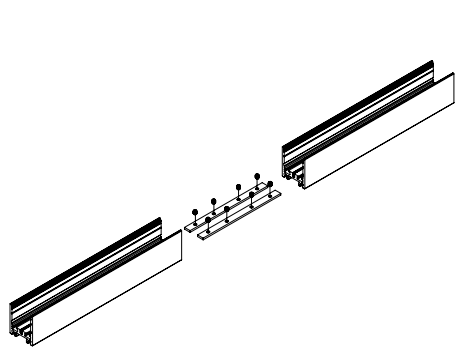
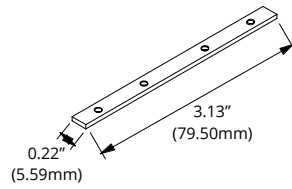


CHANNEL TYPE	SUSPENSION HEIGHT
Tall	Up to 3' (914.40mm)

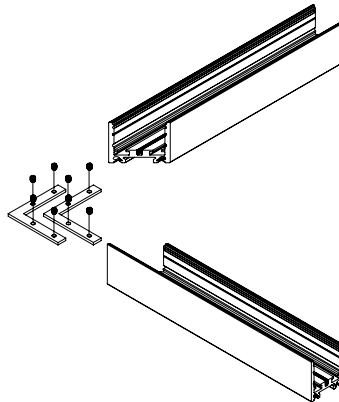
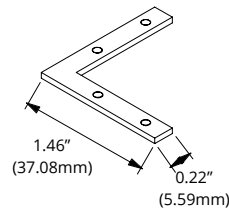
## ALIGNER OPTIONS

Compatible Channel: Tall

### STRAIGHT



### INSIDE/OUTSIDE CORNERS



### FLAT CORNERS

