



- Class 2 UL1310 standard
- Indoor/Outdoor
- Dimmable on an MLV
- **Input leads:** 18AWG 600V
- **Output leads:** 18AWG 300V
- Leads max. operational temperature is 105°C

NOTE: Driver must be loaded to 75% capacity to maintain FLEX DC warranty.

ELECTRICAL

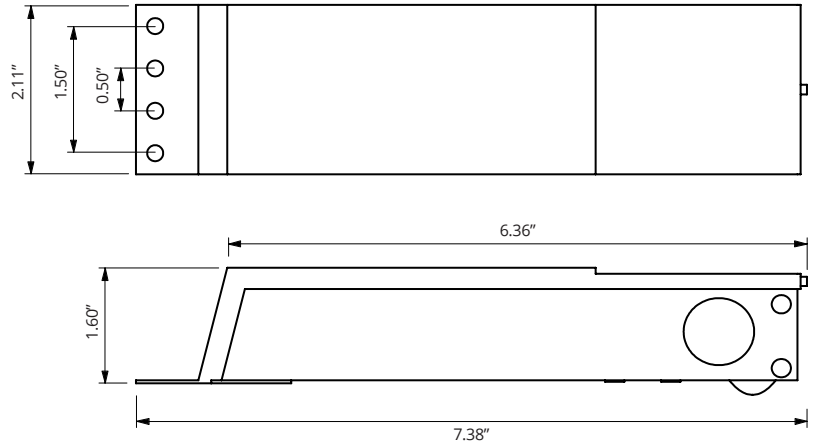
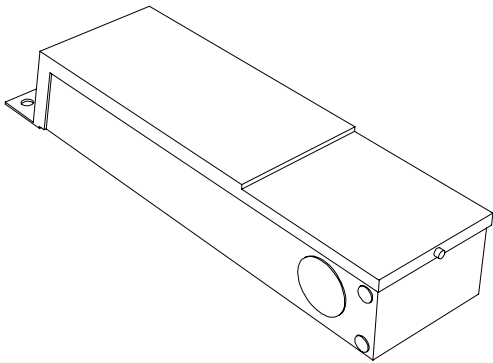
PART NUMBER:	ML10S24VDC	ML10S24VDC277	ML20S24VDC	ML20S24VDC277	ML35S24VDC	ML35S24VDC277	ML40S24VDC
Input Voltage	120V 60Hz	277V 60Hz	120V 60Hz	277V 60Hz	120V 60Hz	277V 60Hz	120V 60Hz
Max Input Current	0.11A	0.04A	0.22A	0.08A	0.35A	0.15A	0.4A
Output Voltage (Fully Loaded)	23.5VDC	23.5VDC	23.5VDC	23.5VDC	23.6VDC	23.5VDC	23.6VDC
Max Total Wattage	10W	20W	20W	20W	35W	35W	40W
Max Output Current	0.4A	0.4A	0.8A	0.8A	1.7A	1.4A	1.7A
Efficiency	83%	85%	83%	85%	85%	85%	85%

PART NUMBER:	ML40S24VDC277	ML50S24VDC	ML50S24VDC277	ML60S24VDC	ML60S24VDC277	ML75S24VDC	ML75S24VDC277
Input Voltage	277V 60Hz	120V 60Hz	277V 60Hz	120V 60Hz	277V 60Hz	120V 60Hz	277V 60Hz
Max Input Current	0.4A	0.5A	0.2A	0.6A	0.6A	0.75A	0.3A
Output Voltage (Fully Loaded)	23.6VDC	23.6VDC	23.5VDC	23.5VDC	23.5VDC	23.5VDC	23.5VDC
Max Total Wattage	40W	50W	50W	60W	60W	75W	75W
Max Output Current	1.7A	2.0A	2.0A	2.5A	2.5A	3.1A	3.1A
Efficiency	85%	85%	85%	85%	85%	85%	85%

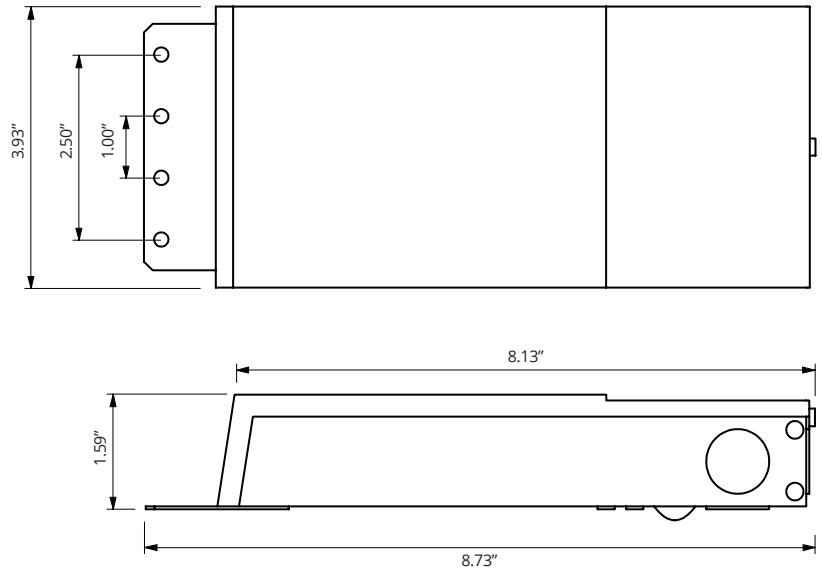
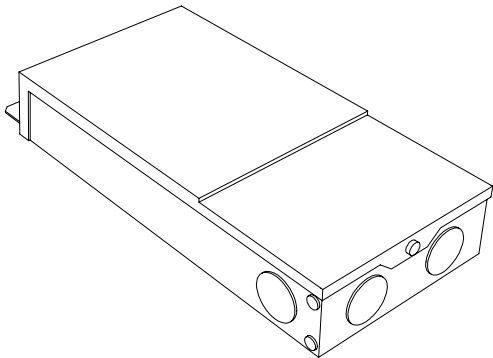
PART NUMBER:	ML96S24VDC	ML96S24VDC277	EM200S24VDC	EM200S24VDC277	EM300S24VDC	EM300S24VDC277
Input Voltage	120V 60Hz	277V 60Hz	120V 60Hz	277V 60Hz	120V 60Hz	277V 60Hz
Max Input Current	1.0A	0.4A	2.0A	2A	3A	2.8A
Output Voltage (Fully Loaded)	23.5A 2	23.5VDC	3.5VDC	23.6VDC	23.5VDC	23.6VDC
Max Total Wattage	96W	96W	200W	200W	300W	288W
Max Output Current	4.0A	4.0A	8.3A	4.0A	12.5A	4.0A
Efficiency	85%	85%	93%	93%	93%	93%

DIMENSIONS

ENCLOSURE TYPE ML10 - ML50



ENCLOSURE TYPE ML60 - ML96



DIMENSIONS

ENCLOSURE TYPE EM

