



- **Driver Type:** CV (Constant Voltage)
- **Number of Outputs:** 1
- **Damp Location**
- **Dimming:** 100% - 1%

- **Output Power:** 40W
- **Universal Input Voltage Range:** 120-277 VAC
- **Operating Temperature:** 0 to 40°C

SPECIFICATIONS

INPUT

Voltage Range	LTE - 120 VAC L3D - 120-277 VAC
Frequency Range	50/60Hz
Power Factor	>0.9 for loads > 20W
AC Current	LTE - 0.38A @ 120 VAC L3D - 0.37A @ 120 VAC; 0.17 @ 277 VAC
Inrush Current	<2A
Inrush Current Limiting Circuitry	Eliminates circuit breaker tripping, switch arcing and relay failure

OUTPUT

Power	5-40 Watts
Max Current	1.6A
Voltage	24V
PWM Dimming Frequency	550Hz

OTHER

Length (L)	4.00"
Width (W)	4.89"
Height (H)	2.62"
Mounting (M)	Ships pre-installed on Junction Box
Working Temp. Range	0 to 40°C
Warranty	5 years
Total Harmonic Distortion (THO)	<20% for loads greater than 20W

WIRE SPECS

Input	6" #18AWG
Output	6" #18AWG

DIMMING PERFORMANCE

LUTRON HI-LUME® 1% 2-WIRE	Dims to 1% with compatible Lutron controls
LUTRON HI-LUME® 1% 3-WIRE/ ECOSYSTEM	Dims to 1% with compatible Lutron controls

PART NUMBER BUILDER

SERIES

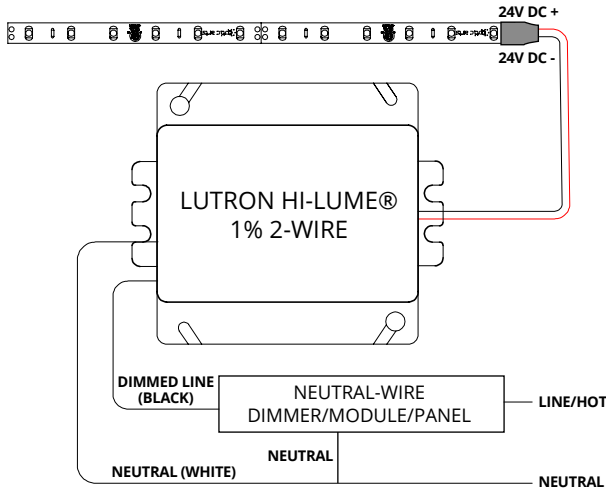
LTEA4U1UKL-CV240 = 2 Wire Forward Phase
L3DA4U1UKL-CV240 = 3 Wire/Ecosystem

WIRING DIAGRAMS

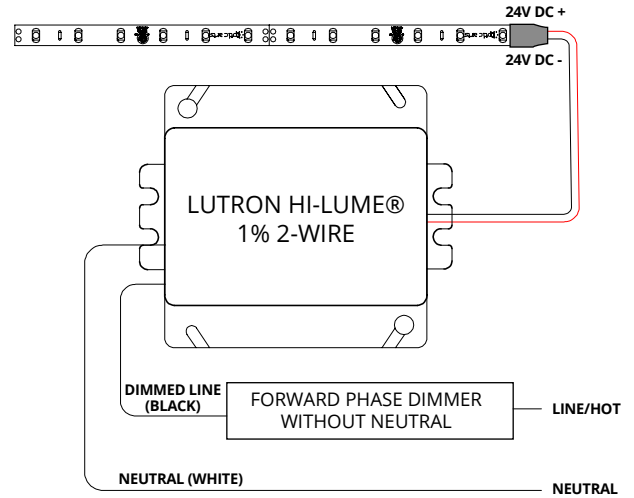
2-WIRE CONTROL FORWARD PHASE

LTEA4U1UKL-CV240

DIMMER WITH NEUTRAL



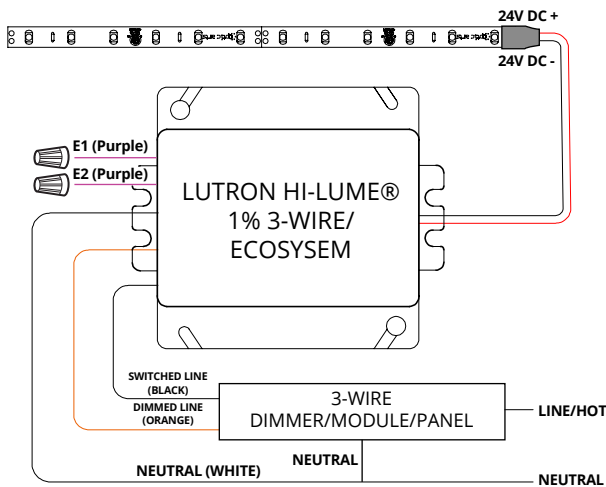
DIMMER WITHOUT NEUTRAL



3-WIRE/ECOSYSTEM

L3DA4U1UKL-CV240

3-WIRE



ECOSYSTEM

