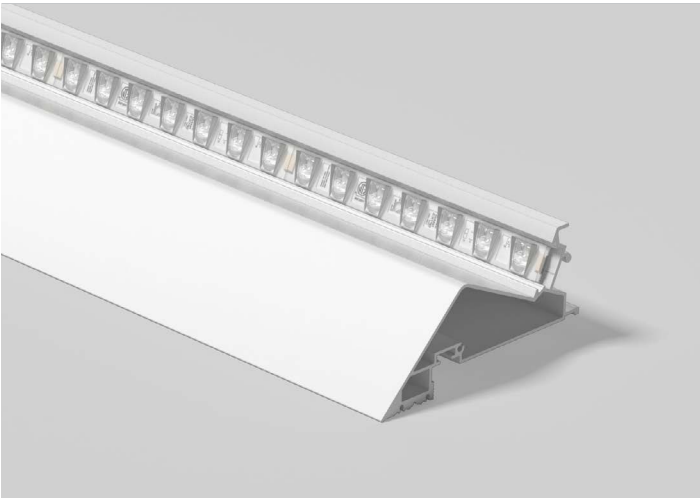




Product Application Render



Product Render

The Optic Arts® **KNIFE EDGE** system produces an elegant, seamless sharp-edged architectural feature with uniform lighting on adjacent surfaces. The sharp edge extrusion attaches to extruded aluminum wall brackets and accepts 5/8" thick drywall on its underside.

Create a soft diffused illumination, color tuning or an asymmetrical forward distribution by selecting the desired beam control offering.

FEATURES

- Integrated asymmetric light engine or soft perimeter glow
- Factory cut to length
- Factory built precision Inside and Outside Corners
- 5 Year Warranty
- Painted Eggshell RAL 9010 with primer to accept field painting
- Featuring Focus Optics Technology (F.O.T.™) or FLEX STP.

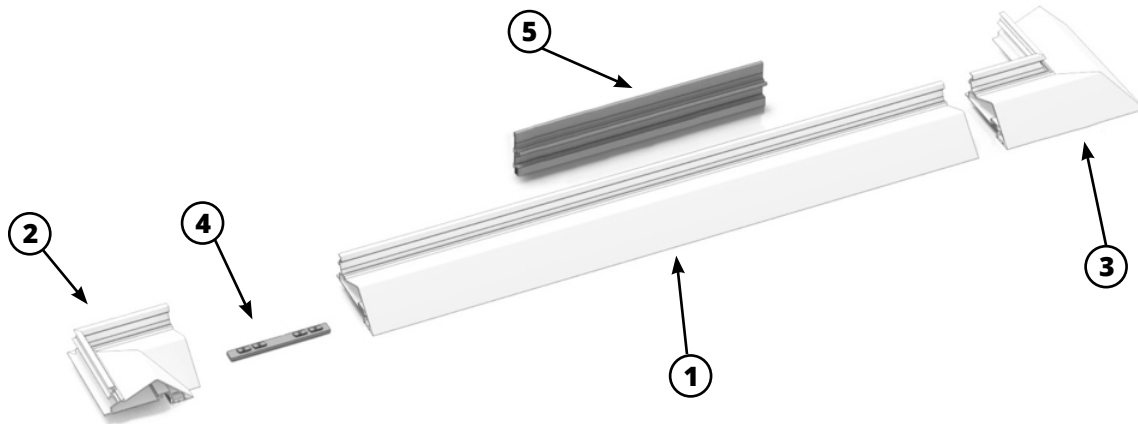
PART NUMBER BUILDER

SERIES	COLOR	CRI	ENDCAPS ¹	LIGHT ENGINE	CONFIG. ²	DIMMING	LENGTH
KE	18 = 1800K (STP) 23 = 2350K (STP) 27 = 2700K (F.O.T.™); 2750K (STP) ⁷ 29 = 2930K (STP) ⁷ 30 = 3000K (F.O.T.™) 35 = 3500K (F.O.T.™) 35 = 3550K (STP) ⁷	8 = 80 ⁶ 9 = 90+ ^{5,8}	Y = Yes N = No	40 = FLEX STP 4.0 70 = FLEX STP 7.0 50 = FLEX STP RGBW 5.0 ³ 58 = FLEX STP VW 5.8 ⁴ AS = Asymmetric 9.0	ST = Straight CO = Coffor RA = Raft IL = Inside L OL = Outside L	MLV = MLV ^{9,10} ND = Non-Dim ⁹ 010 = 0-10V System Dimming ⁹ VIN = VintageDim® System 0-10V Dimming PDC = Pure DC® Dimming ⁹ DMX = DMX System Dimming LN2 = Lutron Hi-Lume® A-Series 2-Wire Dimming ⁹ LN3 = Lutron Hi-Lume® A-Series 3-Wire/ Ecosystem Dimming ⁹ LNP = Lutron Hi-Lume® Premier 3-Wire/Ecosystem Dimming ⁹	See specification guide on page 4 for instructions on specifying length.

1: Endcaps not applicable to Raft or Coffor Configs. 4: Must be used with DMX Dimming or VintageDim® Dimming. 7: JAB 2016 when used with 0-10V, DMX, or Lutron Premier (LNP) dimming (FLEX STP 40 & 70 only). 8: Only available with F.O.T.™ 2700K, 3000K.
 2: See specification guide on page 4. 5: Only available with FLEX STP.
 3: Must be used with DMX Dimming. 6: Only available with F.O.T.™ 3500K.

9: Not compatible with Variable White.
 10: Not compatible with F.O.T.™.

MECHANICAL



#	DESCRIPTION
1	Blade Body - 8.00'
2	Inside Corner (Coffer)
3	Outside Corner (Raft)
4	Aligner Spline Bracket
5	Wall Bracket - 2.00'

PRODUCT INFORMATION

CRI	85 ¹¹ , 90 ¹² , 95 ¹³
Binning	<2 Step MacAdam Ellipse
Input Voltage	24VDC
Dimming Options	<ul style="list-style-type: none"> • PURE DC® • MLV¹⁴ • 0-10V • DMX • Lutron (2-WIRE, 3-WIRE, EcoSystem)

Wire Size	F.O.T.™: 18 AWG, 2 Wire; STP White: 20 AWG, 2 Wire; STP Variable White: 20 AWG, 3 Wire
------------------	---

Connections (F.O.T.™ Only)	Connectable end to end in-field using on board connector system.
-----------------------------------	--

Certification	ETL - Conforms to UL Standard 2108
----------------------	------------------------------------

Operating Temperature	-40° C (-40°F) to +50°C (+122°F)
------------------------------	----------------------------------

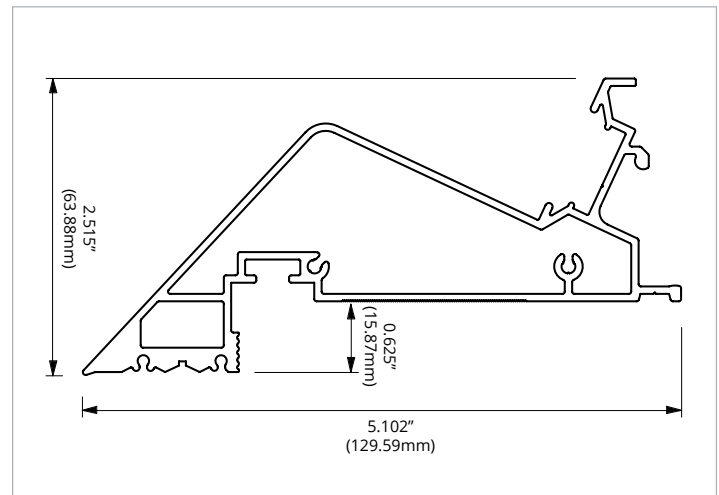
Environment	Indoor
--------------------	--------

11: Available with F.O.T.™ 3500K.

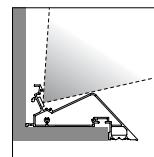
13: Available with STP.

12: Available with F.O.T.™ 2700K, 3000K.

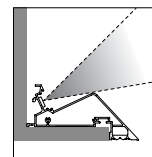
14: Not compatible with F.O.T.™.



BEAM OPTIONS



**OPEN BEAM
(STP)**



**OPTICS
(F.O.T.™)**

LIGHT ENGINE NOTES:

Buildable Increment - The KNIFE body will be factory cut to exact length based on specifications. F.O.T.™ has a buildable increment of 6.00"; STP has a cuttable increment of 0.90" to 2.46" (dependant on version - please see STP specification for more details.) When specifying system length, this increment should be taken into account. The factory will supply lengths as needed to most efficiently make up specified run length. When total system length exceeds light engine length, the light engine can be centered in the KNIFE body. Leaving up to 3.00" between the end of the light engine and the end of the total system run is acceptable and will not cause a visible dark spot in application. If space must be larger based on system configuration, the factory will contact the customer to discuss a solution.

Corners - Light engine should be held back 2.00-3.00" on either side of a COFFER (inside) corner. This will prevent hotspots in the corners. If this is not possible based on specified lengths, the factory will contact the customer to discuss a solution. Light engine does not need to be held back on RAFT (outside) corners, but can be held back up to 3.00" without creating a dark spot.

1130 Monterey Pass Rd, Monterey Park, CA 91754

213.250.6069 | customerservice@opticarts.com | www.opticarts.com

Optic Arts reserves the right to modify this specification without prior notice.

Last Modified: October 23, 2018 3:05 PM

COMPATIBLE LIGHT ENGINES

F.O.T.™ (Asymmetric)

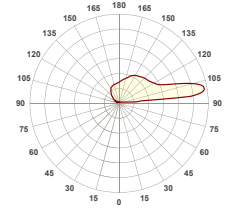
Environment: Indoor
CRI: 90
Voltage: 24
Watts/Ft: 9.0
Max Run: 10' (on one driver)
Lengths: 6.00", 12.00", 24.00" modules available.



DELIVERED LUMENS:

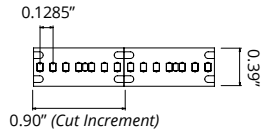
COLOR	LM/FT
3000K	533.00

Note: Stated lumen values have a tolerance of +/- 10%.



FLEX STP 40

Environment: Indoor
CRI: 95
Voltage: 24
Watts/Ft: 4.0
Max Run: 24' (on one driver)
Cutable Increment: Every 0.90"

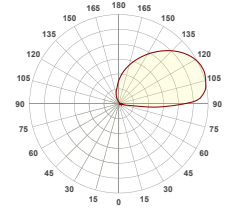


DELIVERED LUMENS:

COLOR	LM/FT
2950K*	350.00

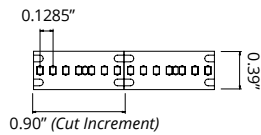
Note: Stated lumen values have a tolerance of +/- 10%.

**JA8 2016 when used with 0-10V, DMX, or Lutron Premier (LNP) dimming.*



FLEX STP 70

Environment: Indoor
CRI: 95
Voltage: 24
Watts/Ft: 7.0
Max Run: 13' (on one driver)
Cutable Increment: Every 0.90"

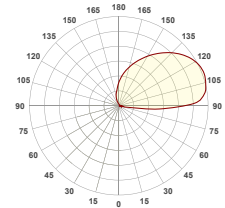


DELIVERED LUMENS:

COLOR	LM/FT
2930K*	467.00

Note: Stated lumen values have a tolerance of +/- 10%.

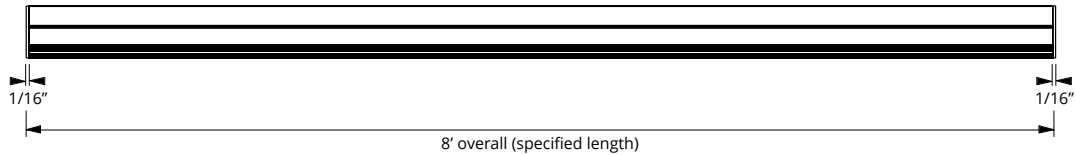
**JA8 2016 when used with 0-10V, DMX, or Lutron Premier (LNP) dimming.*



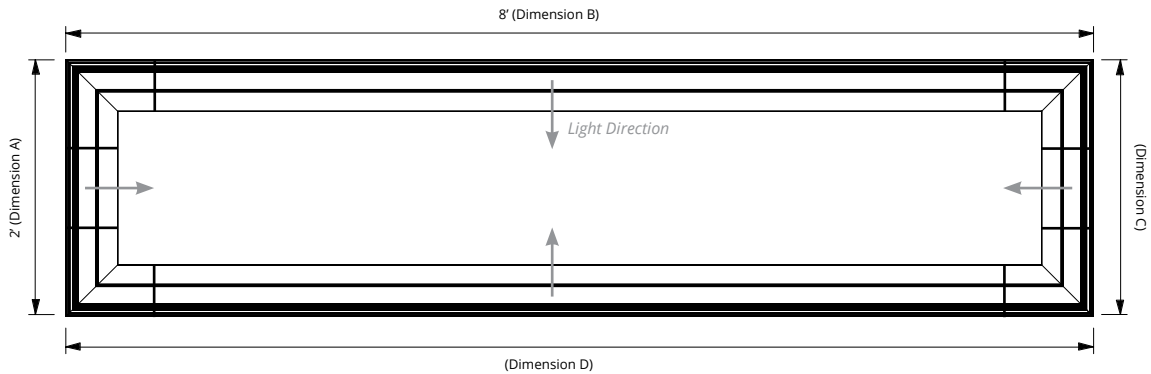
SPECIFICATION GUIDE

HOW TO SPECIFY LENGTH:

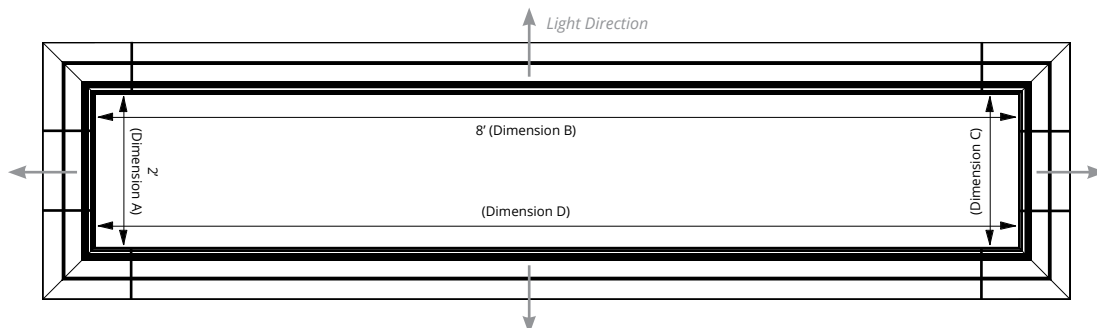
Straight Configuration - Specify overall length of straight run to the nearest 1/4", if endcaps are specified the dimension of the endcaps will be taken into account when calculating overall length at the factory.



Coffer Configuration - Specify length of each side measuring on the mounting surface. For example, the below would be specified as 8'+2'+8'+2'. Factory built corners will be included.

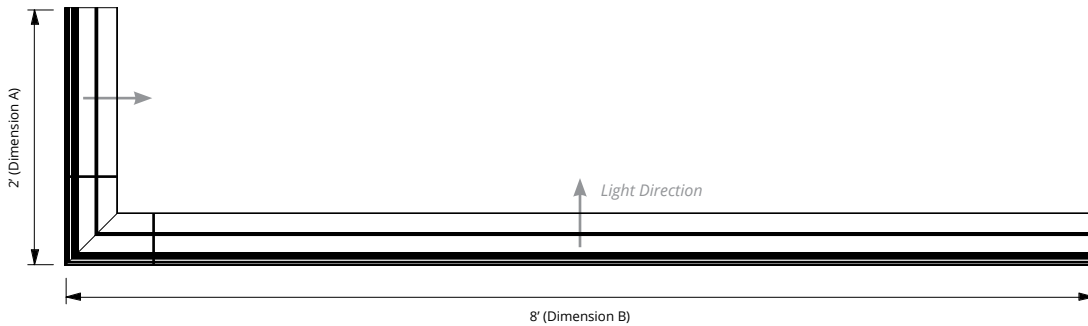


Raft Configuration - Specify length of each side measuring on the mounting surface. For example, the below would be specified as 8'+2'+8'+2'. Factory built corners will be included.

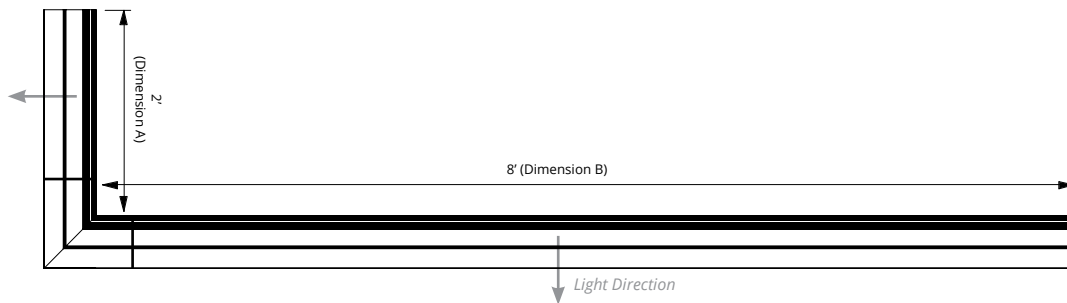


SPECIFICATION GUIDE

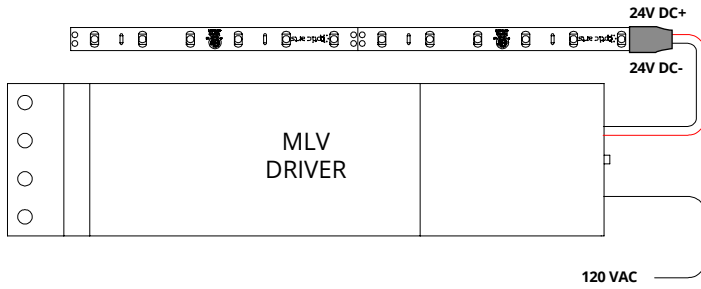
Inside L Configuration - Specify length of each side measuring on the mounting surface. For example, the below would be specified as 8'+2'. Factory built corners will be included.



Outside L Configuration - Specify length of each side measuring on the mounting surface. For example, the below would be specified as 8'+2'. Factory built corners will be included.



COMPATIBLE DRIVERS



MLV (MLV)

PART	DESCRIPTION
ML10S24VDC	10W 120VAC DIMMABLE DRIVER
ML20S24VDC	20W 120VAC DIMMABLE DRIVER
ML35S24VDC	35W 120VAC DIMMABLE DRIVER
ML35S24VDC-277	35W 277VAC DIMMABLE DRIVER
ML40S24VDC	40W 120VAC DIMMABLE DRIVER
ML50S24VDC	50W 120VAC DIMMABLE DRIVER
ML50S24VDC-277	50W 277VAC DIMMABLE DRIVER
ML60S24VDC	60W 120VAC DIMMABLE DRIVER
ML75S24VDC	75W 120VAC DIMMABLE DRIVER
ML75S24VDC-277	75W 277VAC DIMMABLE DRIVER
ML96S24VDC	96W 120VAC DIMMABLE DRIVER
ML96S24VDC-277	96W 120VAC DIMMABLE DRIVER
EM2-200S24DC	200W 120VAC DIMMABLE DRIVER, 2 96W CIRCUITS
EM3-300S24DC	300W 120VAC DIMMABLE DRIVER, 3 96W CIRCUITS
EM2-200S24DC-277	200W 120VAC DIMMABLE DRIVER, 2 96W CIRCUITS
EM3-300S24DC-277	288W 120VAC DIMMABLE DRIVER, 3 96W CIRCUITS

DIMENSIONS

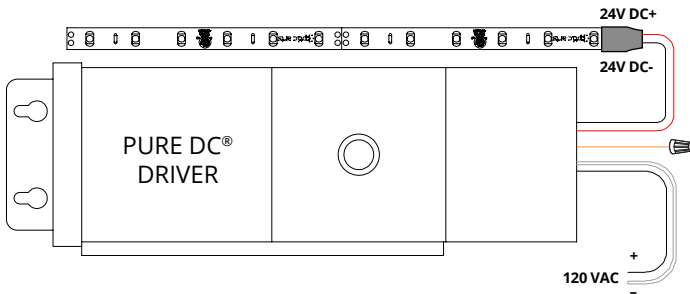
10W-50W	H 2.11"; W 7.38"; D 1.60"
60W-96W	H 3.93"; W 8.13"; D 1.59"
200-300W	H 5.69"; W 10.29"; D 3.13"

DIMMING PERFORMANCE

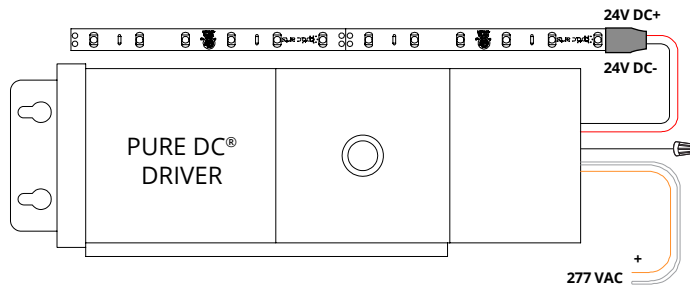
MLV DRIVER Dims to 20% on most MLV dimmers

NOTE: Must be loaded between 75%-100% of rated load to maintain FLEX DC warranty

120 VAC WIRING



277 VAC WIRING



PURE DC® MLV (PDC)

PART	DESCRIPTION
PDC.40.24	40W 120/277VAC PURE DC® MLV DIMMABLE DRIVER
PDC.96.24	96W 120/277VAC PURE DC® MLV DIMMABLE DRIVER

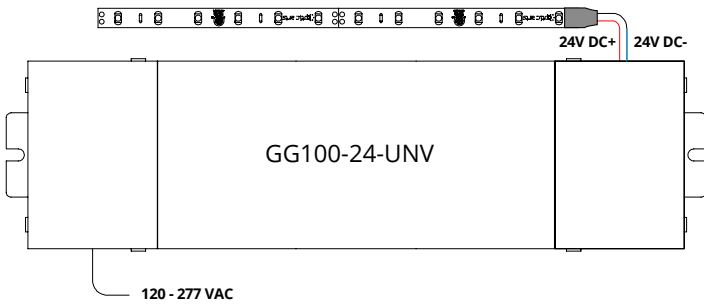
DIMENSIONS

40W	L 14.25"; W 3.00"; H 2.88"
96W	L 14.75"; W 4.31"; H 4.81"

DIMMING PERFORMANCE

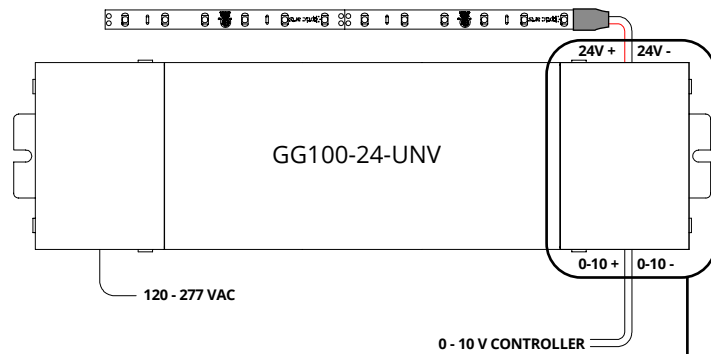
PURE DC® DRIVER Dims to 0.1% on most MLV dimmers

COMPATIBLE DRIVERS



ELECTRONIC DRIVER - NON-DIM (ND)

PART	DESCRIPTION
GG100E-24-UNV	96W 120-277VAC ELECTRONIC DRIVER
DIMENSIONS	
ELECTRONIC DRIVER	H 3.00"; W 11.46"; D 1.30"
DIMMING PERFORMANCE	
ELECTRONIC DRIVER	Non-Dim

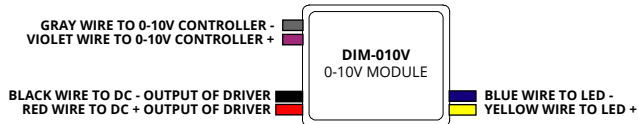


ELECTRONIC DRIVER W/0-10V MODULE (010)

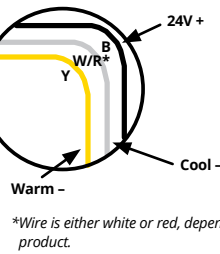
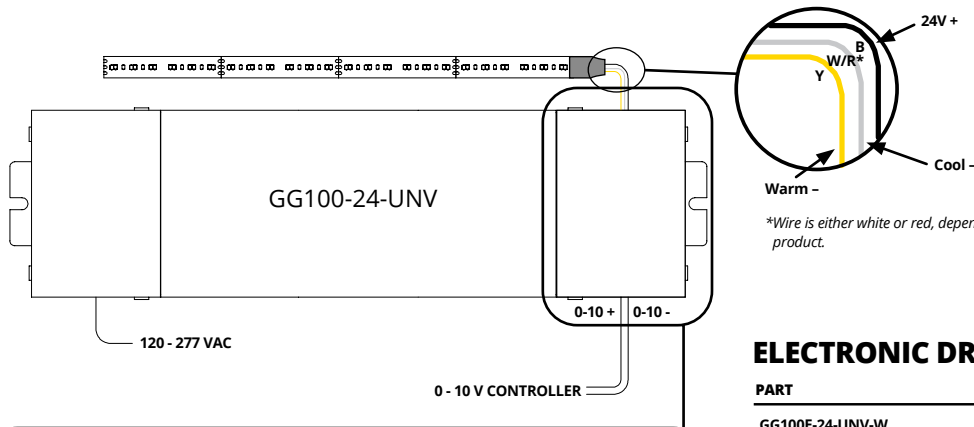
PART	DESCRIPTION
GG100E-24-UNV-010V	96W 120-277VAC ELECTRONIC DRIVER WITH 0-10V DIMMING MODULE (SINK)
DIMENSIONS	
ELECTRONIC DRIVER - 0-10V	H 3.00"; W 11.46"; D 1.30"
DIMMING PERFORMANCE	
ELECTRONIC DRIVER - 0-10V	Dims below 1% on most 0-10V dimmers

FIELD INSTALLED IN LOW VOLTAGE WIRING COMPARTMENT

- Install DIM-010V Module in low voltage wiring compartment.
- Max number of 25 modules on one dimmer. Consult dimmer datasheet for maximum device limitation of a specific controller.



COMPATIBLE DRIVERS



FIELD INSTALLED IN LOW VOLTAGE WIRING COMPARTMENT

- Install VintageDim® Module in low voltage wiring compartment.
- Consult dimmer datasheet for maximum device limitation of a specific controller.

GRAY WIRE TO 0-10V CONTROLLER -
VIOLET WIRE TO 0-10V CONTROLLER +

YELLOW WIRE TO LED (WARM) -
WHITE WIRE TO LED (COOL) -
BLACK WIRE TO LED +
BLACK WIRE TO LED +

BLUE WIRE TO DC - OUTPUT OF DRIVER
RED WIRE TO DC + OUTPUT OF DRIVER

** Cap off one + wire unless using two separate strips*

ELECTRONIC DRIVER W/VintageDim® MODULE

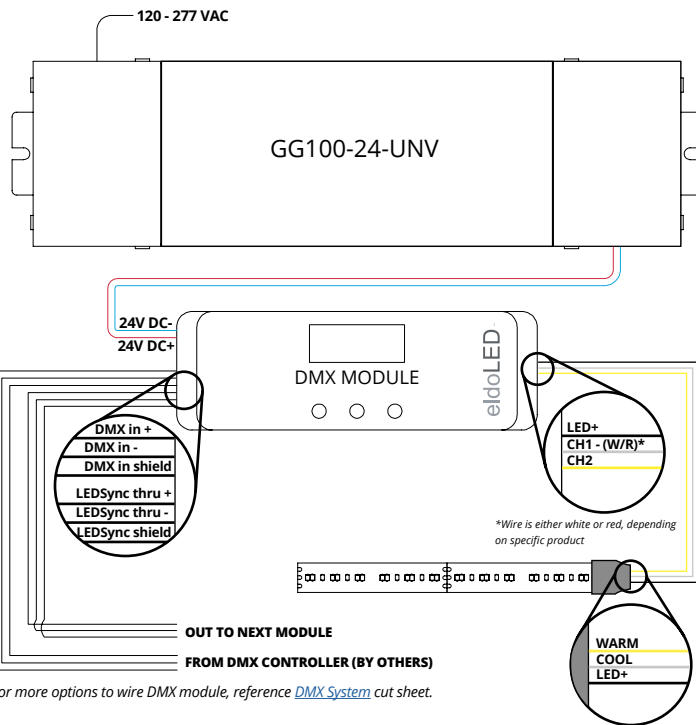
PART	DESCRIPTION
GG100E-24-UNV-W	96W 120-277VAC ELECTRONIC DRIVER WITH VINTAGEDIM® DIMMING MODULE STANDARD DIM TO WARM CURVE
GG100E-24-UNV-C	96W 120-277VAC ELECTRONIC DRIVER WITH VINTAGEDIM® DIMMING MODULE CUSTOM CURVE

DIMENSIONS

ELECTRONIC DRIVER	H 3.00"; W 11.46"; D 1.30"
VintageDim® MODULE	H 1.56"; W 1.56"; D 0.78"

DIMMING PERFORMANCE

ELECTRONIC DRIVER - VintageDim®	Dims below 1% on most 0-10V dimmers
---------------------------------	-------------------------------------



ELECTRONIC DRIVER W/DMX MODULE

PART	DESCRIPTION
GG100E-24-UNV-DMX	96W 120-277VAC ELECTRONIC DRIVER WITH eldoLED DMX DIMMING MODULE

DIMENSIONS

96W	H 3.00"; W 11.46"; D 1.30"
DMX MODULE	H 1.97"; W 6.02"; D 0.91"

**Must be installed in UL box (by others)*

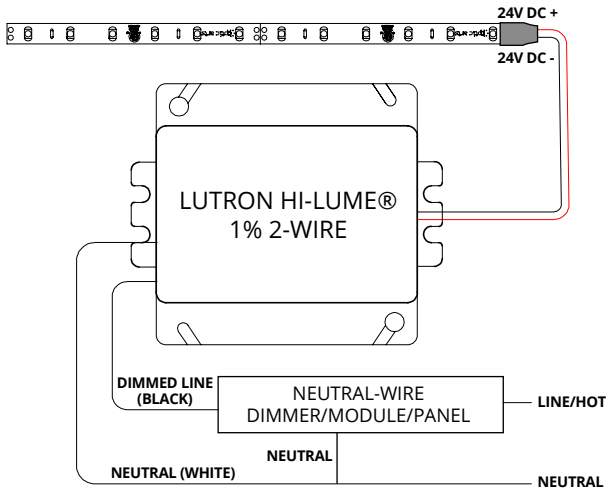
DIMMING PERFORMANCE

ELECTRONIC DRIVER - DMX MODULE	Dims to 0.1% on most DMX systems
--------------------------------	----------------------------------

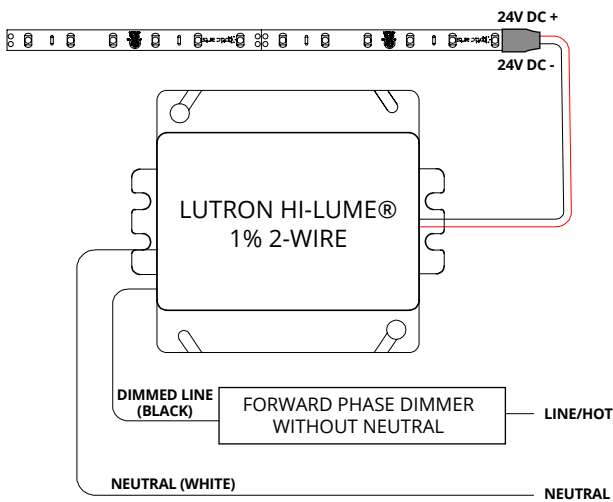
For more options to wire DMX module, reference [DMX System](#) cut sheet.

COMPATIBLE DRIVERS

DIMMER WITH NEUTRAL



DIMMER WITHOUT NEUTRAL



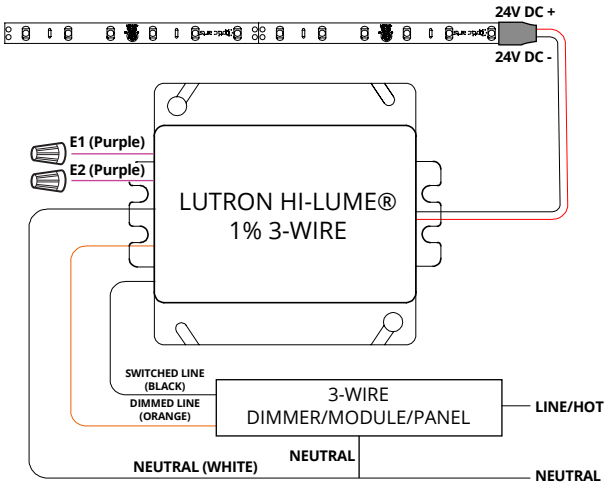
LUTRON HI-LUME® 1% 2-WIRE (LN2):
2-WIRE CONTROL FORWARD PHASE



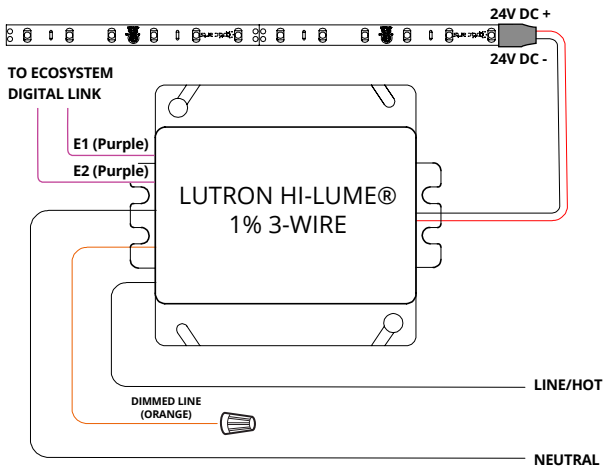
PART	DESCRIPTION
LTEA4U1UKL-CV240	5-40W, 120VAC, 2-WIRE FORWARD PHASE DRIVER
DIMENSIONS	
LUTRON HI-LUME® 1% 2-WIRE	H 4.00"; W 4.89"; D 2.62"
DIMMING PERFORMANCE	
LUTRON HI-LUME® 1% 2-WIRE	Dims to 1% with compatible Lutron controls

COMPATIBLE DRIVERS

3-WIRE



ECOSYSTEM

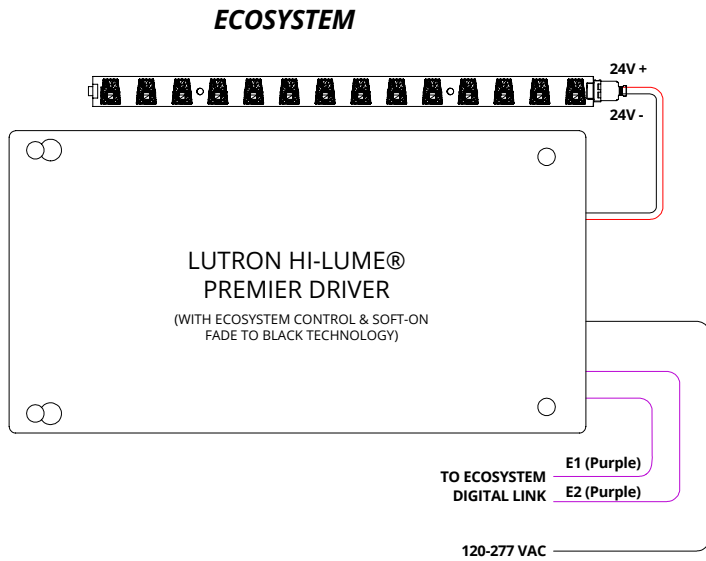
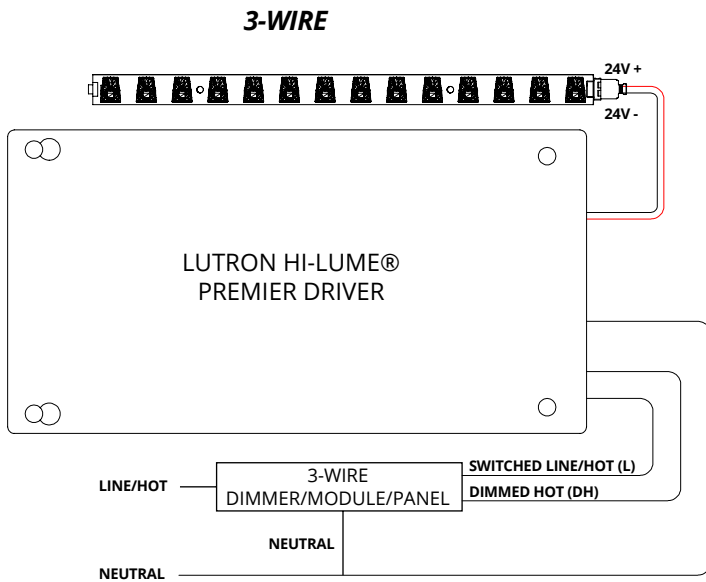


LUTRON HI-LUME® 1% (LN3):
3-WIRE/ECOSYSTEM



PART	DESCRIPTION
L3DA4U1UKL-CV240	5-40W, 120-277VAC, 3-WIRE/ECOSYSTEM DRIVER
DIMENSIONS	
LUTRON HI-LUME® 1% 3-WIRE/ ECOSYSTEM	H 4.00"; W 4.89"; D 2.62"
DIMMING PERFORMANCE	
LUTRON HI-LUME® 1% 3-WIRE/ECOSYSTEM	Dims to 1% with compatible Lutron controls

COMPATIBLE DRIVERS



LUTRON HI-LUME® PREMIER:
3-WIRE/ECOSYSTEM



PART	DESCRIPTION
L3D0-96W24V-U	2-96W, 120-277VAC, 3-WIRE/ECOSYSTEM DRIVER

DIMENSIONS

LUTRON HI-LUME® PREMIER	H 5.5"; W 10.5"; D 2.0"
-------------------------	-------------------------

DIMMING PERFORMANCE

LUTRON HI-LUME® PREMIER	Dims to 0.1% with compatible Lutron controls
-------------------------	--

NOTE: Lutron soft-on, fade to black technology available with Ecosystem Digital Control only.