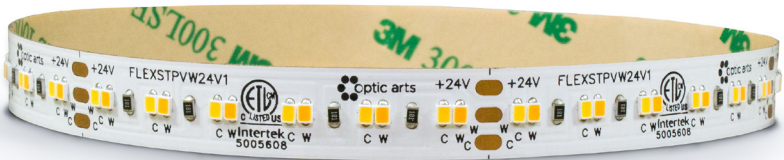


Please read entire guide prior to starting installation.



NOTES

1. All installations must be executed in accordance with local codes.
2. The installing contractor assumes all liability for the safety and code compliance of the installation.
3. Optic Arts is not liable for any damages caused by improper wiring, circuit overloading, power surges, poor system design or layout, negligence or other conditions.

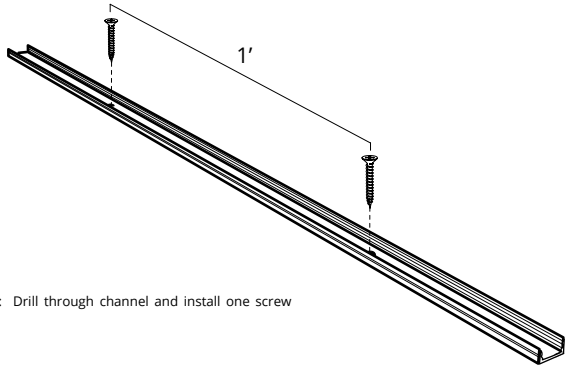


213.250.6069
info@opticarts.com
www.opticarts.com

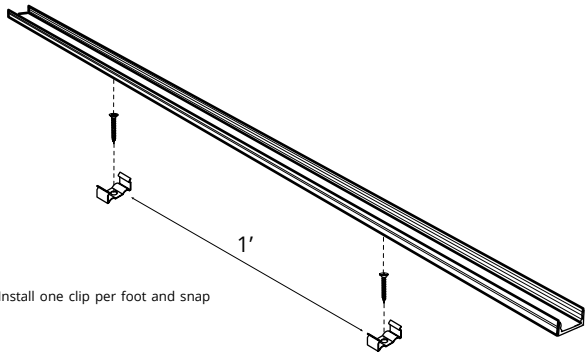


FLEX STP INSTALLATION GUIDE

1.



1.1 Channel without mounting clips: Drill through channel and install one screw per foot.



1.2 Channel with mounting clips: Install one clip per foot and snap channel into clips.

a) Join channels end to end if aligning multiple channels for longer runs.

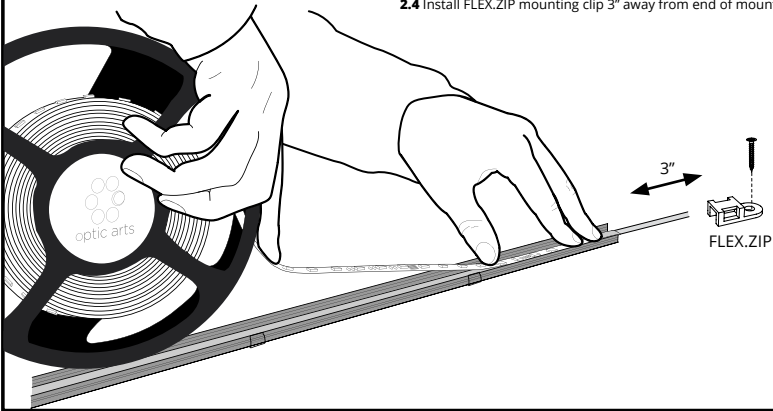
2.

2.1 Remove liners from the back of the FLEX STP.

2.2 Install FLEX STP into channel avoiding any bubbles, folds, or creases.

2.3 Apply pressure to FLEX STP by firmly, but gently, pressing down with your fingers.

2.4 Install FLEX.ZIP mounting clip 3" away from end of mounting tape.



3.

3.1 Snap or slide lens into channel.

3.2 Install channel endcaps.

3.3 Install zip tie around lead wire.

Cut off excess zip tie.

