



NITELIGHT™ is a high performance LED fixture suitable for use in closets, under cabinets, and in shelving. **NITELIGHT™** has a built-in motion sensor that activates the light without the need for a wall switch or control system.

- Standard Color Temperatures: 2000K, 2400K, 2700K, 3000K, 3500K, 4100K, 6000K, Amber
- Max Run Lengths: 20.00' (with 3.0W) & 40.00' (with 1.5W)
- Motion Sensor activation
- Automatically shuts off after 40 seconds
- Add-on up to 2 additional fixtures in line with the first motion sensing fixture

ELECTRICAL

Input Voltage	24VDC
Power Consumption	1.5W/ft, 3.0W/ft
Wire Size	18AWG, 2 wire
Certification	ETL - Conforms to UL Std. 2108; Certified to CSA Std. C22.2 No. 9.0. Closet Rated - Suitable for installation in the storage area of a clothes closet.

PHYSICAL

Operating Temperature	-40° C (-40°F) to +70°C (+158°F)
Environment	IP40 - Dry Location
Maximum Run Length	1.5W - 40.00' 3.0W - 20.00'
Dimensions (WxH)	Corner: 0.63" (16.00mm) x 0.63" (16.00mm) Flat: 0.68" (17.25mm) x 0.34" (8.60mm)

ACCESSORIES

Driver	OWA-60U-24 (pg. 6)
Mounting Clips	Flat; Corner (pg. 5)

PERFORMANCE

Field of View	120° & 6'
CRI	90+
Lumen Maintenance	50,000 Hours
Binning Tolerance	+/- 100K
Warranty	5 years

PART NUMBER BUILDER										
SERIES	+	FIXTURE TYPE	+	COLOR	+	CHANNEL TYPE	+	WATTAGE	+	LENGTH
FLEXDC.NITELIGHT		STNFM = Starter fixture (no feed through); built-in motion sensor STM = Starter fixture (feed through); built-in motion sensor STNFD1 = Starter fixture (no feed through); external door sensor unit; 1 sensor STNFD2 = Starter fixture (no feed through); external door sensor unit; 2 sensor STNFD3 = Starter fixture (no feed through); external door sensor unit; 3 sensor STD1 = Starter fixture (feed through); external door sensor unit; 1 sensor STD2 = Starter fixture (feed through); external door sensor unit; 2 sensor STD3 = Starter fixture (feed through); external door sensor unit; 3 sensor MD = Middle fixture END = End fixture		20 = 2000K 24 = 2400K 27 = 2700K 30 = 3000K 35 = 3500K 41 = 4100K 60 = 6000K A = Amber		00 = Corner 01 = Flat		15 = 1.5W 30 = 3.0W		XX = Custom Length (Inches) <i>Note:</i> Max run length of 1.5W = 40.00' Max run length of 3.0W = 20.00'

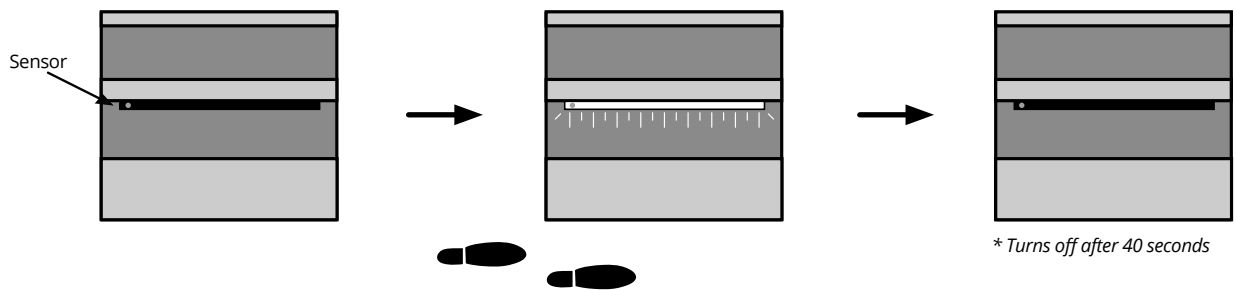


LIGHT ENGINE INITIAL LUMEN OUTPUT

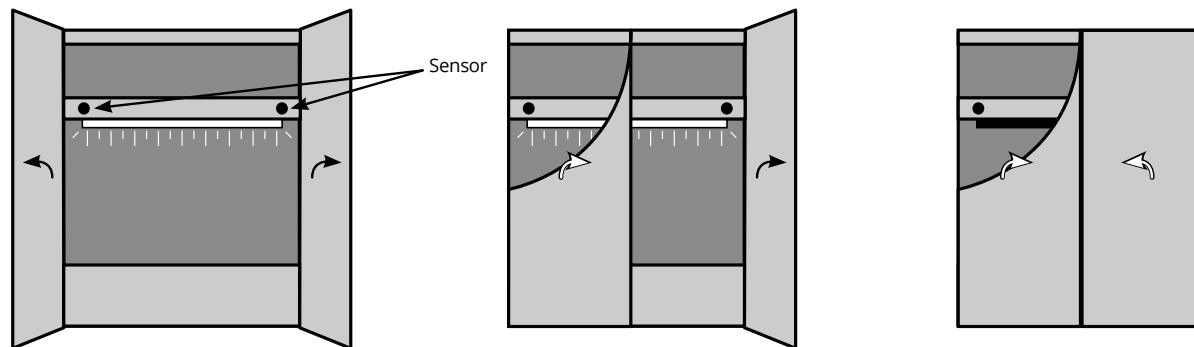
	1.5W/ft	2.2W/ft	3.0W/ft
2000K	92.65 lm/ft 61.62 lm/W	124.66 lm/ft 46.47 lm/W	174.44 lm/ft 62.44 lm/W
2400K	113.67 lm/ft 75.78 lm/W	150.00 lm/ft 68.00 lm/W	230.22 lm/ft 76.74 lm/W
2700K	133.47 lm/ft 88.98 lm/W	154.00 lm/ft 70.00 lm/W	262.59 lm/ft 87.53 lm/W
3000K	134.07 lm/ft 89.38 lm/W	176.00 lm/ft 80.00 lm/W	265.65 lm/ft 88.55 lm/W
3500K	141.31 lm/ft 94.21 lm/W	161.00 lm/ft 73.00 lm/W	276.03 lm/ft 92.01 lm/W
4100K	144.41 lm/ft 96.33 lm/W	157.00 lm/ft 71.00 lm/W	286.77 lm/ft 95.59 lm/W
6000K	140.01 lm/ft 93.34 W	169.00 lm/ft 77.00 lm/W	272.94 lm/ft 90.98 lm/W

Note: Stated lumen values have a tolerance of +/- 10%.

FUNCTIONALITY (Built-in Motion Sensor)

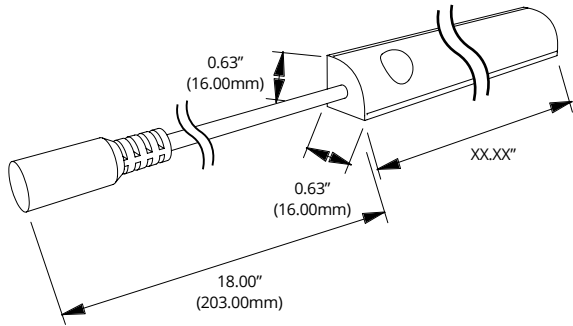


FUNCTIONALITY (External Motion Sensor)

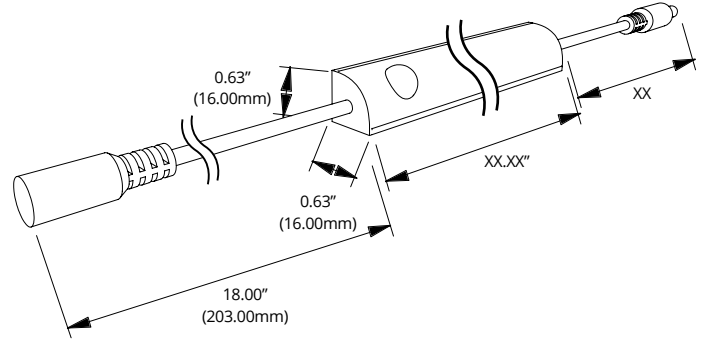


DIMENSIONS (Built-in Motion Sensor)

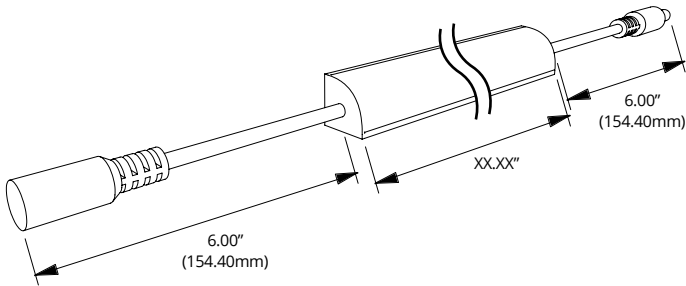
FLEXDC.NITELIGHT.STNF



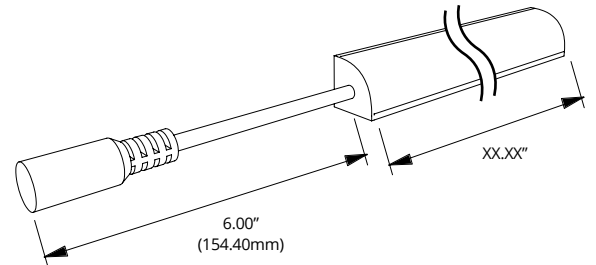
FLEXDC.NITELIGHT.ST



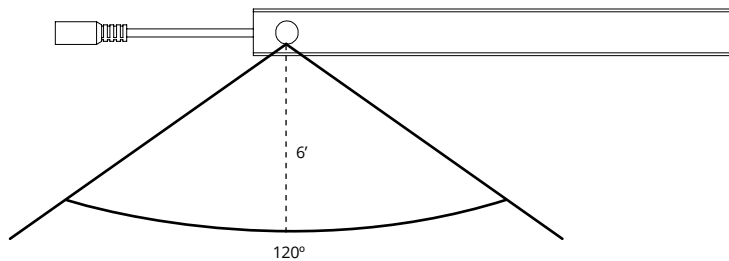
FLEXDC.NITELIGHT.MD



FLEXDC.NITELIGHT.END



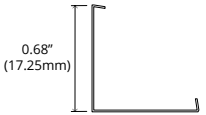
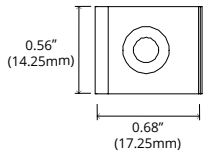
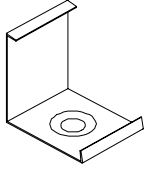
NITELIGHT™ FIELD OF VIEW



MOUNTING ACCESSORIES

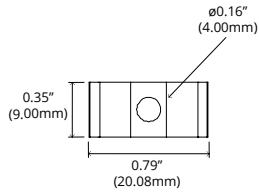
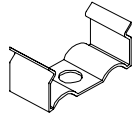
CHS-C-1616-MC

Corner Channel
Mounting Clip



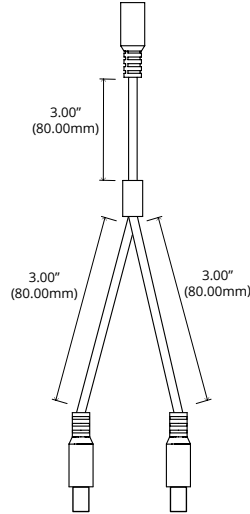
CHS-S-1208-MC

Flat Channel
Mounting Clip

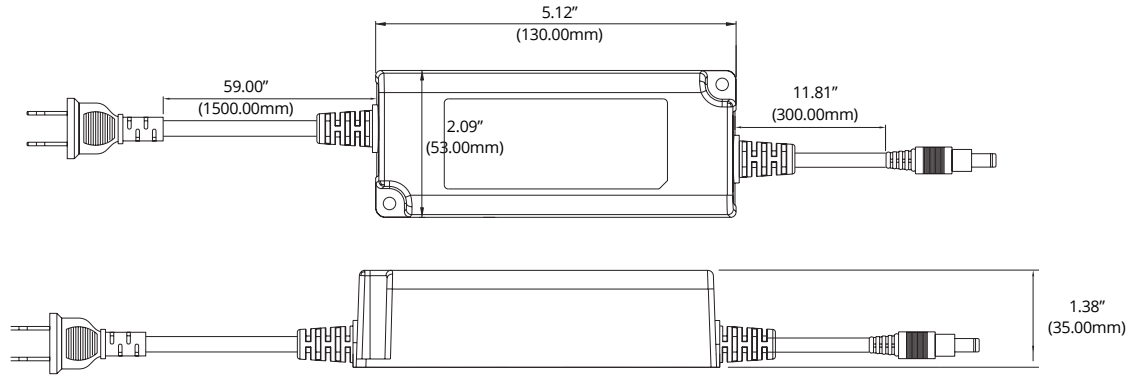


CONN.SP

2.1 Barrel Connector
Splitter



COMPATIBLE DRIVERS - OWA-60U-24



- **Driver Type:** CV (Constant Voltage)
- **Number of Outputs:** 1
- **Damp Location** Indoor use only (dry and damp locations)
- **Output Power:** 60W

- **Universal Input Voltage Range:** 90-264 VAC
- **Operating Temperature:** -35 to 70°C (-31 to 158°F)

SPECIFICATIONS

INPUT

Voltage Range	90-264 VAC
Frequency Range	47-63Hz
Power Factor	>0.90 at full load
AC Current	1.2A @115V; 0.7A @ 230V

OUTPUT

Max Power	60 Watts
Max Current	2.5A
Voltage	24V

PART

DESCRIPTION

OWA-60U-24	60W, 90-264 VAC, 24V
-------------------	----------------------

OTHER

Length (L)	5.12" (130.00mm)
Width (W)	2.09" (53.00mm)
Height (H)	1.38" (35.00mm)
Input Lead Length	59.00" (1500.00mm)
Output Lead Length	11.81" (300.00mm)
Working Temp. Range	-35 to 70°C (-31 to 158°F)
Warranty	5 Years

WIRE SPECS

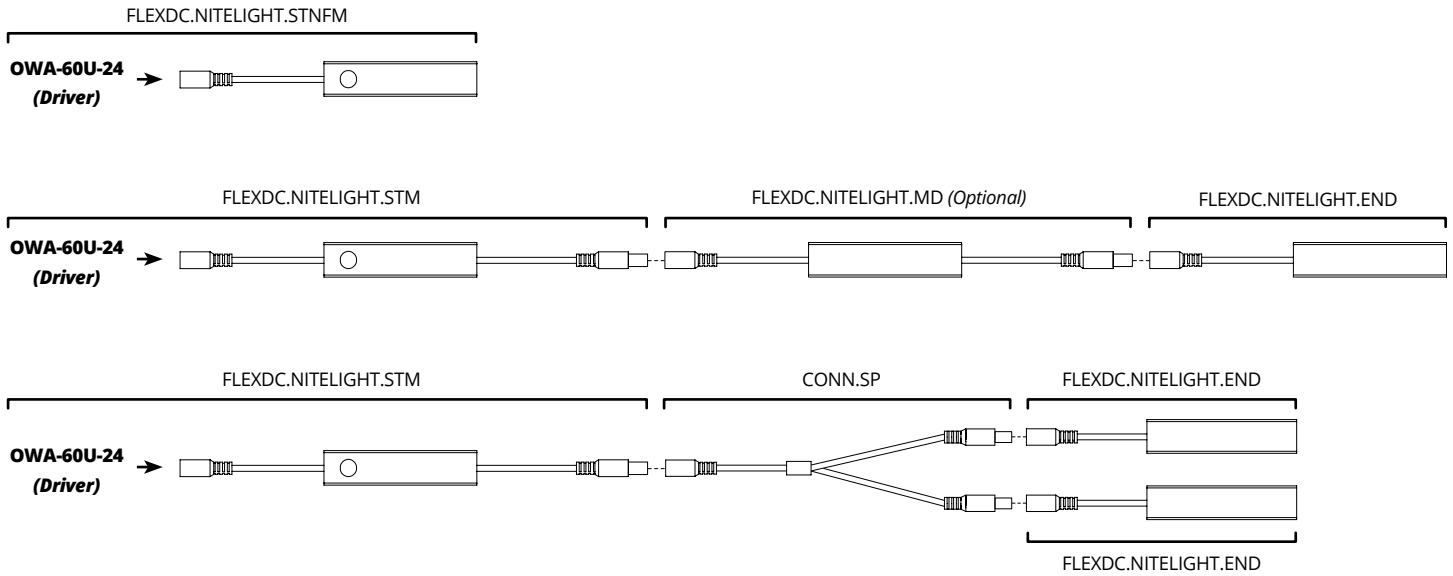
Input	18AWG
Output	16AWG

ENVIRONMENTAL

Relative Humidity	Maximum 95% non-condensing
--------------------------	----------------------------

PART NUMBER BUILDER		
SERIES	MAX POWER	OUTPUT VOLTAGE
OWA	60U - 60W (U = Universal)	24 - 24V

WIRING DIAGRAMS (BUILT-IN MOTION SENSOR)



WIRING DIAGRAMS (EXTERNAL MOTION SENSOR)

