



Please read entire guide prior to starting installation.

Sections:

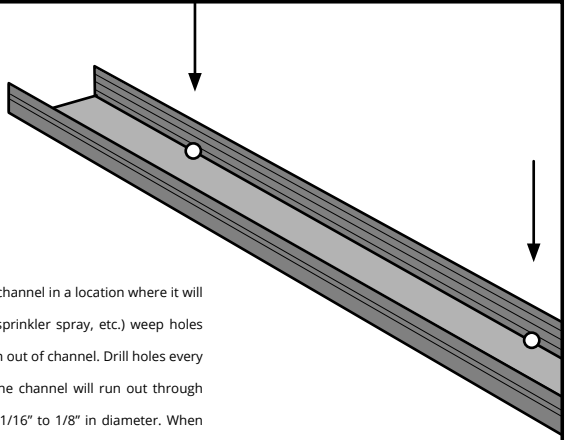
- *Installation with Surface Mounted Channel*
- *Installation with Recessed Channel: No Spring Clips*
- *Installation with Recessed Channel: With Spring Clips*

NOTES

1. IP40 and lower tape must be installed indoors only.
2. Installation must be carried out by a licensed electrician & executed in accordance with local codes.
3. The installing contractor assumes all liability for the safety and code compliance of the installation.
4. Optic Arts is not liable for any damages caused by improper wiring, driver overloading, driver under-loading, power surges, poor system design or layout, negligence or other conditions.

Installation with Surface Mounted Channel

1.



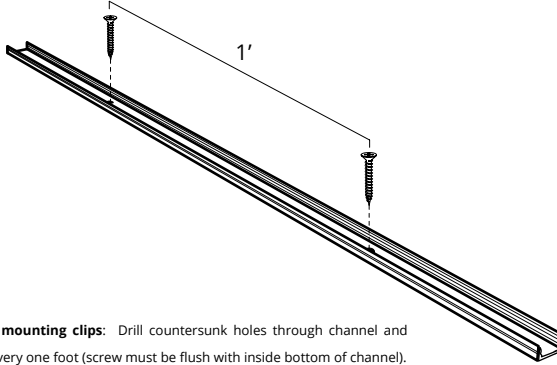
1.1 Channel is not waterproof. If installing channel in a location where it will be in direct contact with water (rain, sprinkler spray, etc.) weep holes should be drilled to allow water to drain out of channel. Drill holes every 12" and in such a way that water in the channel will run out through them. Holes should be approximately 1/16" to 1/8" in diameter. When considering weep hole locations, be aware that light may leak from weep holes and try to position them out of normal viewing angles.

FLEX INSTALLATION GUIDE

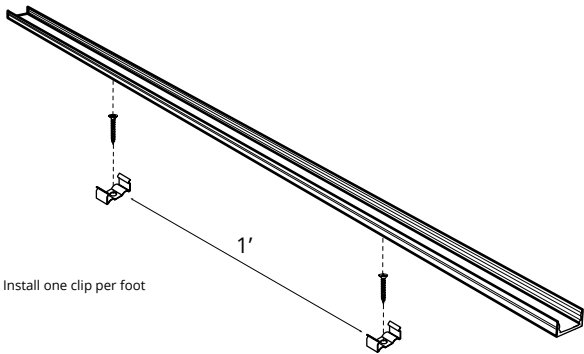
IP65, IP67, IP68

Installation with Surface Mounted Channel

2.



2.1 Channel without mounting clips: Drill countersunk holes through channel and install one screw every one foot (screw must be flush with inside bottom of channel).



2.2 Channel with mounting clips: Install one clip per foot and snap channel into clips.

a) Join channels end to end if aligning multiple channels for longer runs.

FLEX INSTALLATION GUIDE

IP65, IP67, IP68

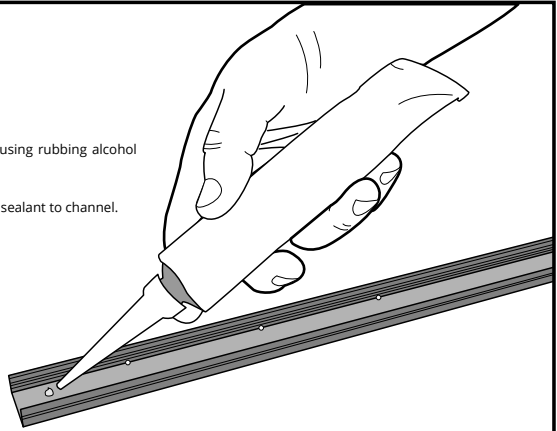
Installation with Surface Mounted Channel

3.

3.1 Clean inside of aluminum channel using rubbing alcohol and allow to dry.

3.2 Apply a bead of RTV Silicone rubber sealant to channel.

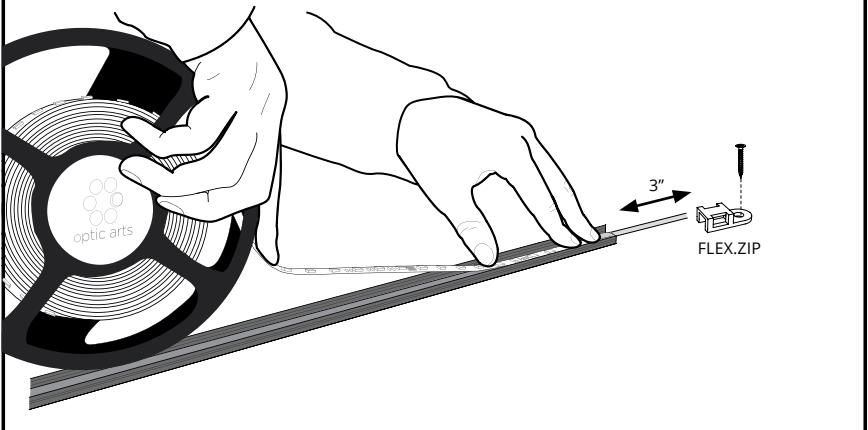
**Silicone supplied by others*



4.

4.1 Apply pressure to FLEX by firmly, but gently, pressing down with your fingers.

4.2 Install FLEX.ZIP mounting clip 3" away from end of channel.



Optic Arts reserves the right to modify this specification without prior notice.

4 of 12

© Optic Arts 2018; 1130 Monterey Pass Rd, Monterey Park, CA 91754

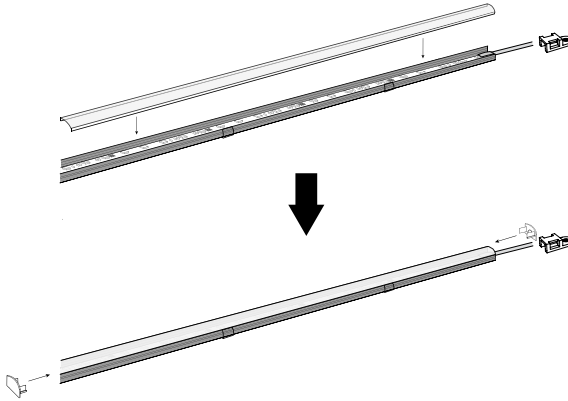
Last Modified: April 09, 2018

FLEX INSTALLATION GUIDE

IP65, IP67, IP68

Installation with Surface Mounted Channel

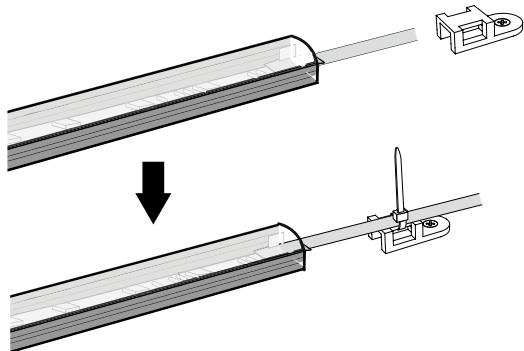
5.



5.1 Snap or slide lens into channel.

5.2 Install channel end caps.

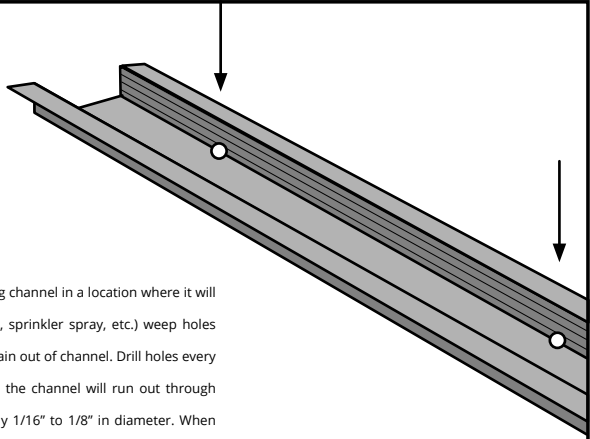
6.



6.1 Install zip tie around lead wire.
Cut off excess zip tie.

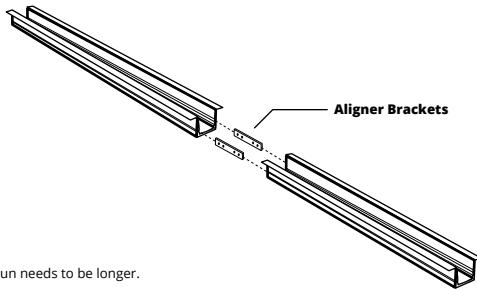
Installation with Recessed Channel: No Spring Clips

1.



1.1 Channel is not waterproof. If installing channel in a location where it will be in direct contact with water (rain, sprinkler spray, etc.) weep holes should be drilled to allow water to drain out of channel. Drill holes every 12" and in such a way that water in the channel will run out through them. Holes should be approximately 1/16" to 1/8" in diameter. When considering weep hole locations, be aware that light may leak from weep holes and try to position them out of normal viewing angles.

2.



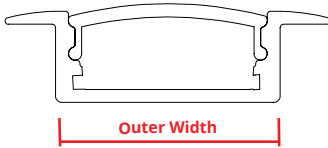
2.1 Join multiple channels together if run needs to be longer.

FLEX INSTALLATION GUIDE

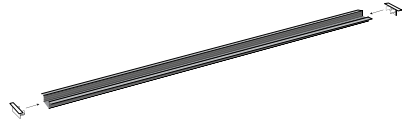
IP65, IP67, IP68

Installation with Recessed Channel: No Spring Clips

3.

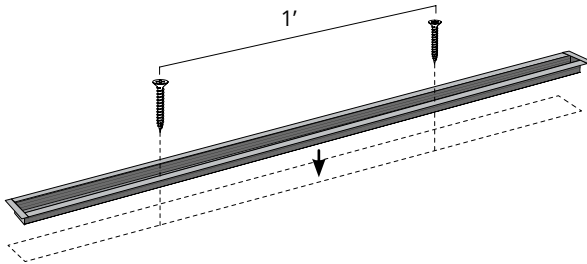


3.1 Cut out recessed hole 1mm wider than outer width of channel.



3.2 Install channel end caps. If joining multiple channels, install end caps on end channels only.

4.



4.1 If the wiring is accessible after the channel has been recessed in, drill countersunk holes through channel and install one screw every one foot (screw must be flush with inside bottom of channel). Then wire FLEX to driver.

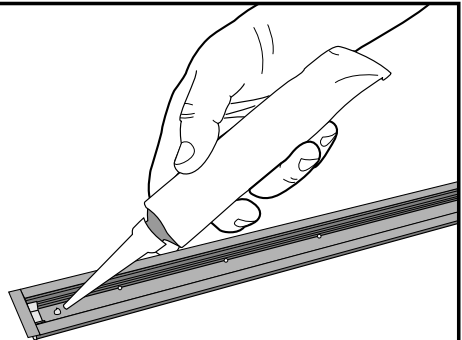
• If the wiring is not accessible after the channel has been recessed in, drill countersunk holes through channel, feed lead wire through end cap hole and pre-wire FLEX, and install one screw every one foot (screw must be flush with inside bottom of channel).

5.

5.1 Clean inside of aluminum channel using rubbing alcohol and allow to dry.

5.2 Apply a bead of RTV Silicone rubber sealant to channel.

**Silicone supplied by others*



Optic Arts reserves the right to modify this specification without prior notice.

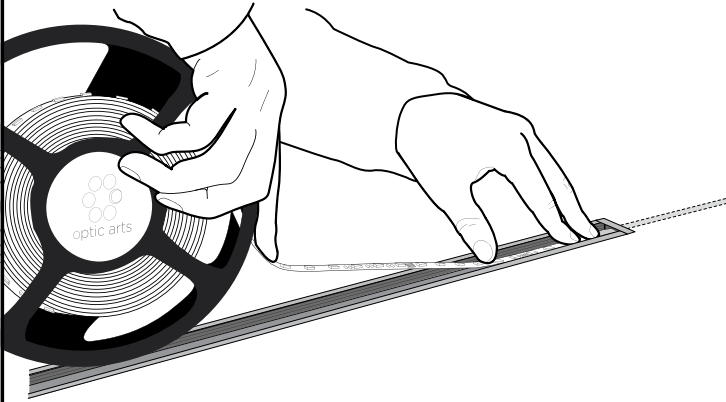
FLEX INSTALLATION GUIDE

IP65, IP67, IP68

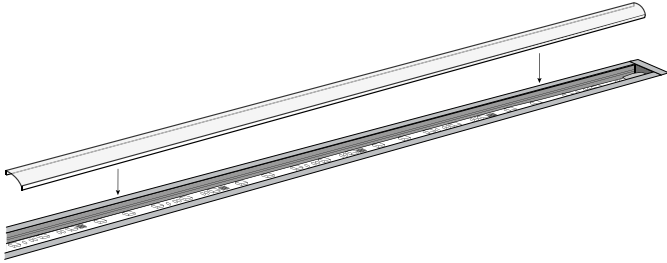
Installation with Recessed Channel: No Spring Clips

6.

6.1 Apply pressure to FLEX by firmly, but gently, pressing down with your fingers.



7.



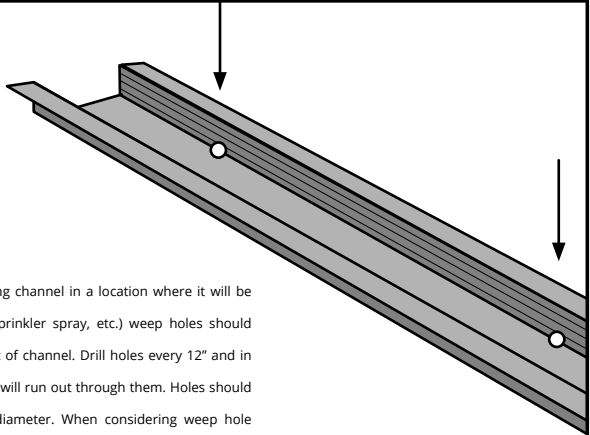
7.1 Snap lens into channel.

FLEX INSTALLATION GUIDE

IP65, IP67, IP68

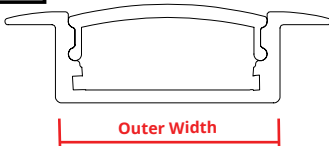
Installation with Recessed Channel: With Spring Clips

1.

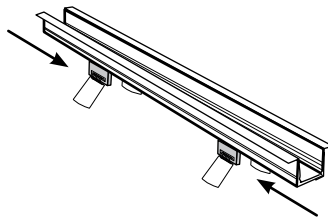


1.1 Channel is not waterproof. If installing channel in a location where it will be in direct contact with water (rain, sprinkler spray, etc.) weep holes should be drilled to allow water to drain out of channel. Drill holes every 12" and in such a way that water in the channel will run out through them. Holes should be approximately 1/16" to 1/8" in diameter. When considering weep hole locations, be aware that light may leak from weep holes and try to position them out of normal viewing angles.

2.



2.1 Cut out recessed hole 1mm wider than outer width of channel.



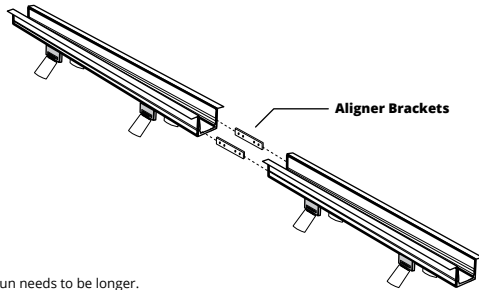
2.2 Slide Spring Clip into channel and lock one clip in place per foot.

FLEX INSTALLATION GUIDE

IP65, IP67, IP68

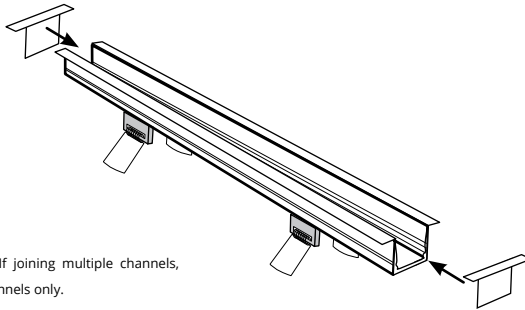
Installation with Recessed Channel: With Spring Clips

3.



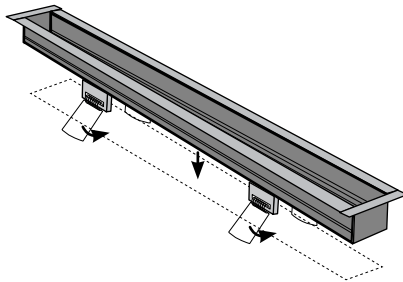
3.1 Join multiple channels together if run needs to be longer.

4.



4.1 Install channel end caps. If joining multiple channels, install end caps on end channels only.

5.



5.1 • If the wiring is accessible after the channel has been recessed in, fold back spring clip and insert into cut out hole. Release clip to allow channel to snap in place. Then wire FLEX to driver.

• If the wiring is not accessible after the channel has been recessed in, feed lead wire through end cap hole and pre-wire FLEX, then fold back spring clip and insert into cut out hole. Release clip to allow channel to snap in place.

FLEX INSTALLATION GUIDE

IP65, IP67, IP68

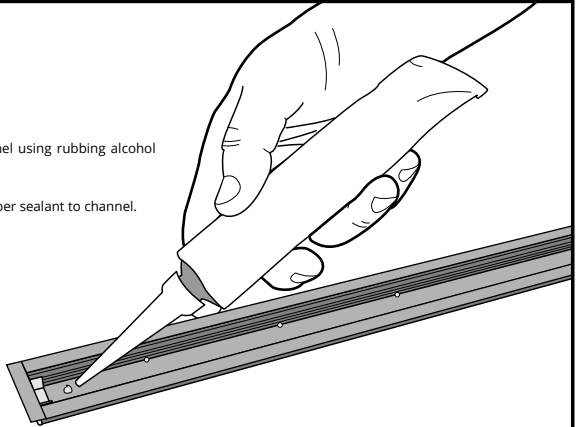
Installation with Recessed Channel: With Spring Clips

6.

6.1 Clean inside of aluminum channel using rubbing alcohol and allow to dry.

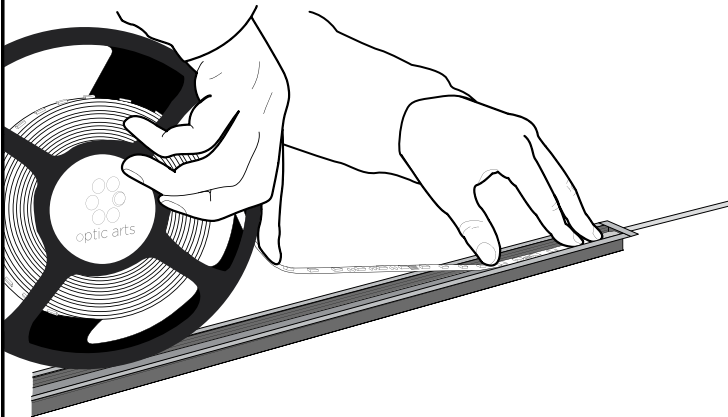
6.2 Apply a bead of RTV Silicone rubber sealant to channel.

**Silicone supplied by others*



7.

7.1 Apply pressure to FLEX by firmly, but gently, pressing down with your fingers.



FLEX INSTALLATION GUIDE

IP65, IP67, IP68

Installation with Recessed Channel: With Spring Clips

8.

8.1 Snap lens into channel.

