

FLEX DC® NEON TOP

Specification Sheet



FLEX DC® NEON TOP is a high performance flexible LED fixture designed as a neon replacement but useful in a wide variety of applications where a smooth surface of light is desired. **TOP** bends towards and away from the luminous surface, as opposed to bending side to side.

ELECTRICAL

Input Voltage	24VDC
Dimming Options	<ul style="list-style-type: none"> • PURE DC™ • DMX • 0-10V • MLV • Lutron (2-WIRE, 3-WIRE, EcoSystem)
Power Consumption	3.66 Watts / ft: White, RGB, Green, Blue 2.19 Watts / ft: Red & Amber
Wire Size	18 AWG, 2 wire (white) 20 AWG, 4 wire, (RGB)
Certification	UL

PHYSICAL

Field Cuttable	Every 2.19": White, Green, Blue Every 3.28": RGB, Red, Amber
Bend Radius	5.905"
Operating Temperature Environment	-30° C (-22°F) to +45°C (+113°F)
Environment	IP67
Maximum Run Length	R, A: 43.70'; W, G, B: 25'; RGB: 22.96'
Dimensions (WxH)	0.45" (11.50mm x 0.83" (21.00mm))

ACCESSORIES

Mounting	Mounting Channel Self-Locking Mounting Channel Mounting Clip Self-Locking Mounting Clip
Field Cutting	Field Cutting Kit (Snap Connector End Cap Included)

LUMEN OUTPUT

2400K¹	128.02 lm/ft
2700K	128.02 lm/ft
3000K	128.02 lm/ft
3500K	146.30 lm/ft
4000K¹	146.30 lm/ft
5700K¹	137.16 lm/ft
RGB	53.65 lm/ft (All LEDs at 100%)
Red¹	39.62 lm/ft
Green¹	31.44 lm/ft
Blue¹	15.24 lm/ft

¹: Special Order option. Will increase order overall lead time to 5-6 wks.

PERFORMANCE

Lumen Maintenance	50,000 Hours, L70@ 50°C 70,000 Hours, L70@ 25°C
Warranty	5 years

PART NUMBER BUILDER

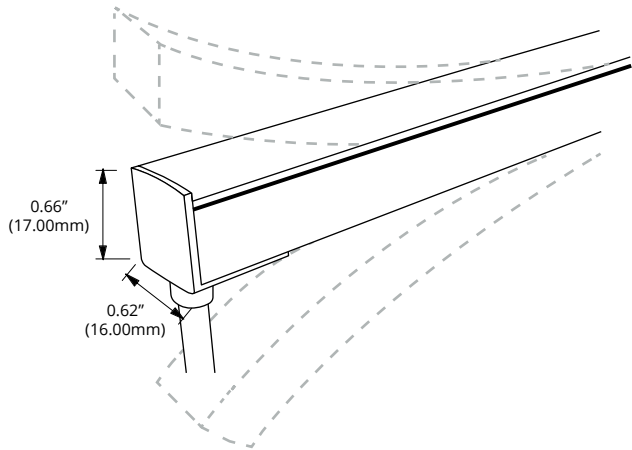
SERIES	+	SHAPE	+	COLOR	+	VOLTAGE	+	LENGTH	+	CONFIGURATION
FLEXNEON		T = Top		24 = 2400K¹ RGB 27 = 2700K R = Red¹ 30 = 3000K G = Green¹ 35 = 3500K B = Blue¹ 40 = 4000K¹ A = Amber¹ 57 = 5700K¹		24 = 24V		S01 = Stock 1' S02 = Stock 2' S06 = Stock 6' S23 = Stock 23' (White Only) S25 = Stock 25' (White Only) XX = Custom Length¹		FNC1 = FLEX DC® Neon Config 1 FNC2 = FLEX DC® Neon Config 2¹ <i>Note: See page 5 for Configurations</i>

¹: Special Order option. Will increase order overall lead time to 5-6 wks.



DIMENSIONS

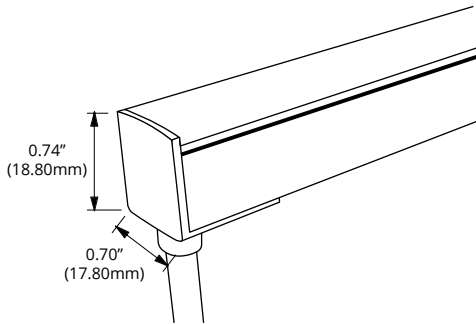
- Due to the nature of the FLEX DC® NEON product, specific lengths may not fall exactly on a cutting point. In this case, Optic Arts will always cut to the smaller dimension unless otherwise specified.
- Some on-site assembly required. See installation guides for details.



DIMENSIONS

Width	0.62" (16.00mm)
Height	0.66" (17.00mm)
Cuttible Segment Length	White, Green, Blue - 2.19" (55.63mm) RGB, Red, Amber - 3.28" (83.31mm)
Max Run Length	R, A: 43.70' (13319.76mm); W, G, B: 25.00' (7620.00mm); RGB: 22.96' (6998.21mm)
Min. Bend Radius	5.905" (149.98mm)

ACCESSORIES



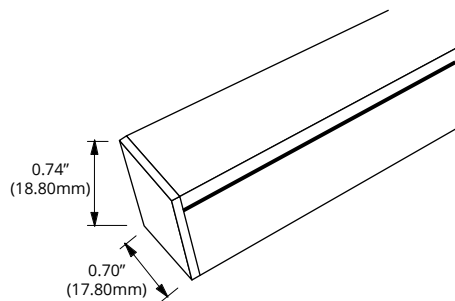
MOLDED POWER FEED CONNECTOR - BOTTOM

Installed on Stocked Fixtures

PART

FLEXNEON-T-S-PFC-M-L-01B	Molded Rear Power Connector; 1'
FLEXNEON-T-R-PFC-M-L-01B	Molded Rear Power Connector RGB; 1'

Note: Each power feed ships with integral 1' wire lead with outdoor connector installed.



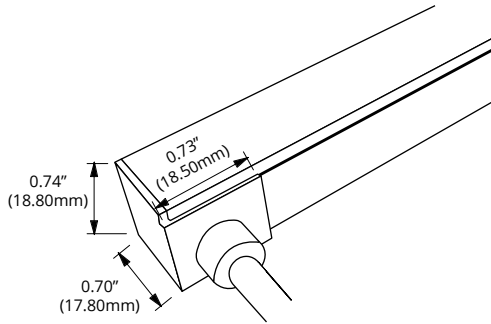
MOLDED END CAP

Installed on Stocked Fixtures

PART

FLEXNEON-T-CAP-M	Molded End Cap
------------------	----------------

ACCESSORIES



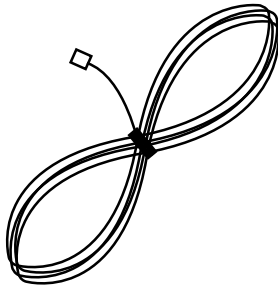
MOLDED SIDE POWER CONNECTOR

Special Order - 5-6 weeks

PART

FLEXNEON-T-S-PFC-M-L-01S	Molded Side Power Connector; 1'
FLEXNEON-T-R-PFC-M-L-01S	Molded Side Power Connector RGB; 1'

Note: Each power feed ships with integral 1' wire lead with outdoor connector installed.



LEAD CONNECTOR WIRE

PART

LC-O2P-W-M72	Male lead Connector Wire for FLEX NEON White, 6'
LC-O5P-W-M72	RGB Male lead connector Wire for FLEX NEON RGB, 6'

Note: Lead Connector Wire is used to connect FLEX NEON to Driver.

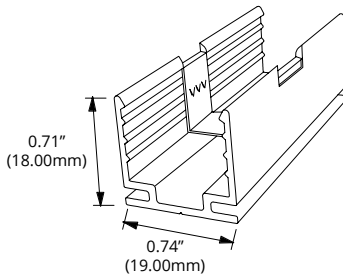


POWER CONNECTOR ENDCAP

PART

FLEXNEON-LC-CAP

Note: When a run ends with an open power connector, the connector needs to be capped off in both indoor and outdoor installations.

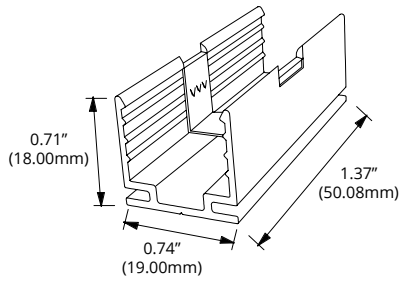


SELF-LOCKING ALUMINUM CHANNEL

PART

FLEXNEON-T-CH-2M-SL	2 meter self-locking channel
----------------------------	------------------------------

ACCESSORIES

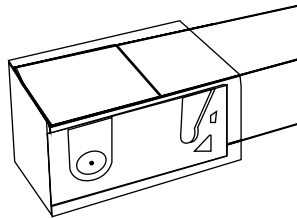


SELF-LOCKING ALUMINUM MOUNTING CLIP

PART #

FLEXNEON-T-MC1-SL

1.37" Self-locking Mounting Clip



FIELD TRIMMING ENDCAP

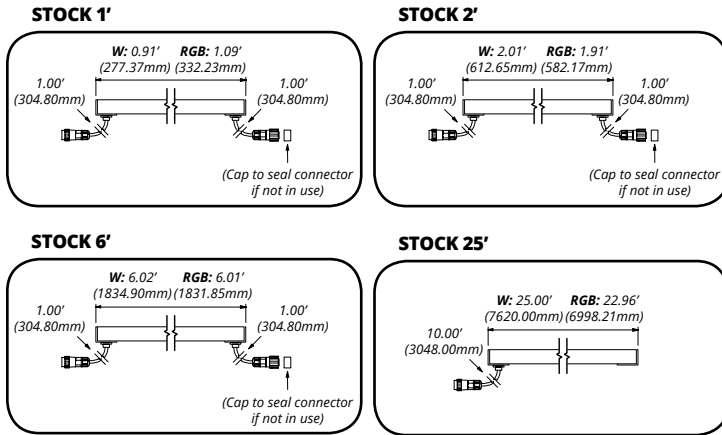
PART #

FLEXNEON-T-CAP-S

FIELD TRIMMING ENDCAP KIT

CONFIGURATION TYPES

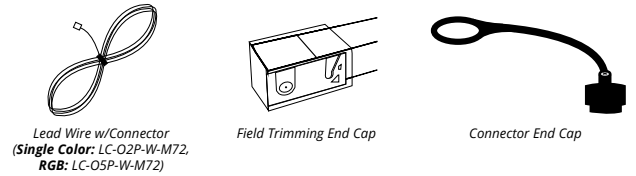
1 Factory Stock Pre-Built Lengths (Lead Time: 1 Week)



NOTES:

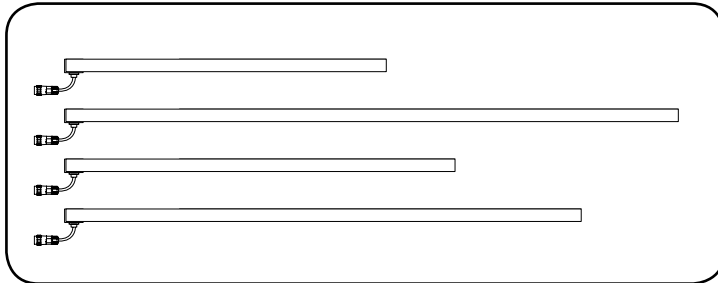
- Specify **FNC1**
- Specify FLEX DC® NEON type and clip/channel type
- Specify stock run lengths
- Specify number of lead wires and power connector caps
- Specify number of field trimming kits if field trimming will be performed.

Included in Configuration 1:



2 Custom Length (Lead Time: 5-6 Weeks)

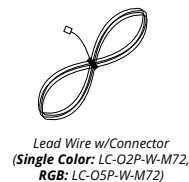
FLEX DC® NEON Cut to Specified Length



NOTES:

- Specify **FNC2**
- Specify FLEX DC® NEON type and clip/channel type
- Specify number of lead wires
- Single 1' power feed with outdoor connector provided on each fixture unless otherwise specified
- Customized power feed lengths and types available upon request. Contact Optic Arts to specify.

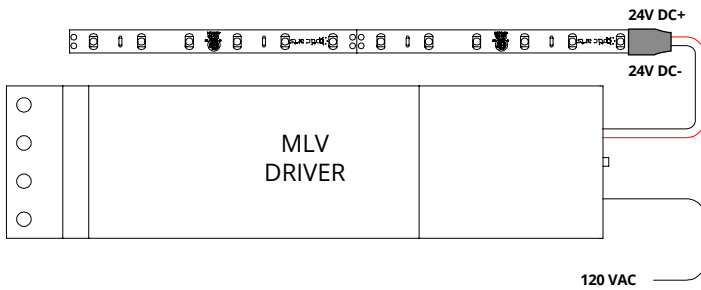
Included in Configuration 2:



NOTES:

1. Due to the nature of the FLEX DC® NEON product, specific lengths may not fall exactly on a cutting point. In this case, Optic Arts® will always cut to the smaller dimension unless otherwise specified.
2. Some on-site assembly required. See installation guides for details.

COMPATIBLE DRIVERS



MLV (MLV)

PART	DESCRIPTION
ML10S24VDC	10W 120VAC DIMMABLE DRIVER
ML20S24VDC	20W 120VAC DIMMABLE DRIVER
ML35S24VDC	35W 120VAC DIMMABLE DRIVER
ML35S24VDC-277	35W 277VAC DIMMABLE DRIVER
ML40S24VDC	40W 120VAC DIMMABLE DRIVER
ML50S24VDC	50W 120VAC DIMMABLE DRIVER
ML50S24VDC-277	50W 277VAC DIMMABLE DRIVER
ML60S24VDC	60W 120VAC DIMMABLE DRIVER
ML75S24VDC	75W 120VAC DIMMABLE DRIVER
ML75S24VDC-277	75W 277VAC DIMMABLE DRIVER
ML96S24VDC	96W 120VAC DIMMABLE DRIVER
ML96S24VDC-277	96W 120VAC DIMMABLE DRIVER
EM2-200S24DC	200W 120VAC DIMMABLE DRIVER, 2 96W CIRCUITS
EM3-300S24DC	300W 120VAC DIMMABLE DRIVER, 3 96W CIRCUITS
EM2-200S24DC-277	200W 120VAC DIMMABLE DRIVER, 2 96W CIRCUITS
EM3-300S24DC-277	288W 120VAC DIMMABLE DRIVER, 3 96W CIRCUITS

DIMENSIONS

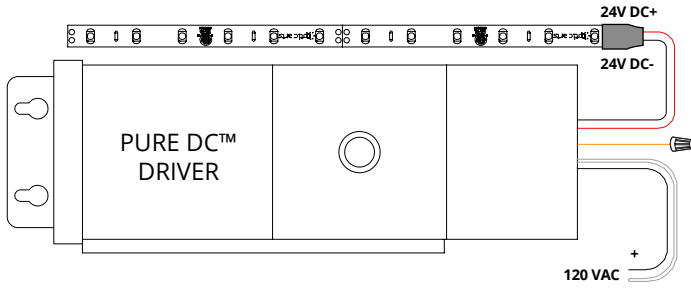
Power Rating	Dimensions (H x W x D)
10W-50W	H 2.11"; W 7.38"; D 1.60"
60W-96W	H 3.93"; W 8.13"; D 1.59"
200-300W	H 5.69"; W 10.29"; D 3.13"

DIMMING PERFORMANCE

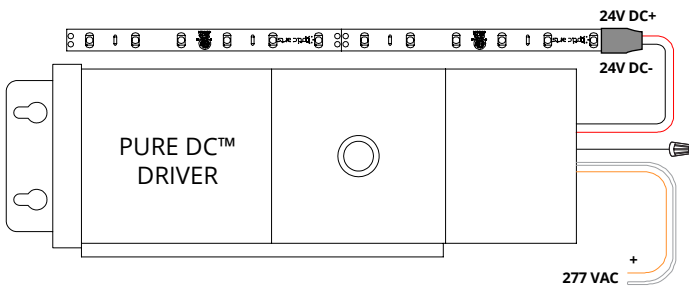
MLV DRIVER Dims to 20% on most MLV dimmers

NOTE: Must be loaded between 75%-100% of rated load to maintain FLEX DC® warranty

120 VAC WIRING



277 VAC WIRING



PURE DC™ MLV (PDC)

PART	DESCRIPTION
PDC.40.24	40W 120/277VAC PURE DC™ MLV DIMMABLE DRIVER
PDC.96.24	96W 120/277VAC PURE DC™ MLV DIMMABLE DRIVER

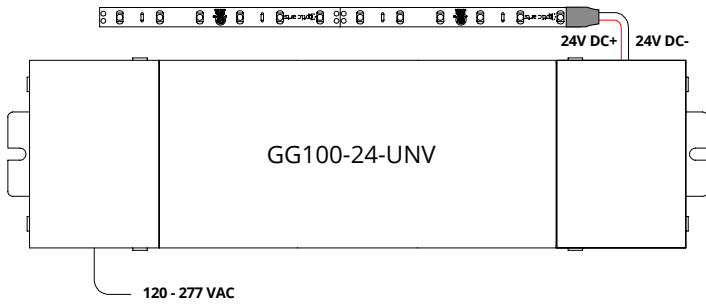
DIMENSIONS

Power Rating	Dimensions (L x W x H)
40W	L 14.25"; W 3.00"; H 2.88"
96W	L 14.75"; W 4.31"; H 4.81"

DIMMING PERFORMANCE

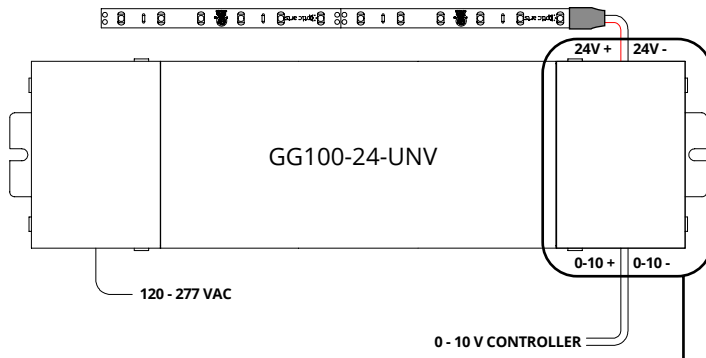
PURE DC™ DRIVER Dims to 0.1% on most MLV dimmers

COMPATIBLE DRIVERS



ELECTRONIC DRIVER - NON-DIM (ND)

PART	DESCRIPTION
GG100E-24-UNV	ELECTRONIC DRIVER
DIMENSIONS	
48W/96W	H 3.00"; W 11.46"; D 1.30"
DIMMING PERFORMANCE	
ELECTRONIC DRIVER	Non-Dim

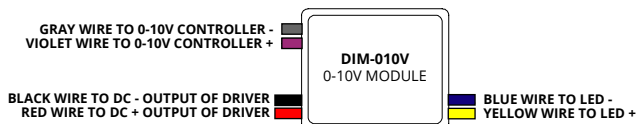


ELECTRONIC DRIVER W/0-10V MODULE (010)

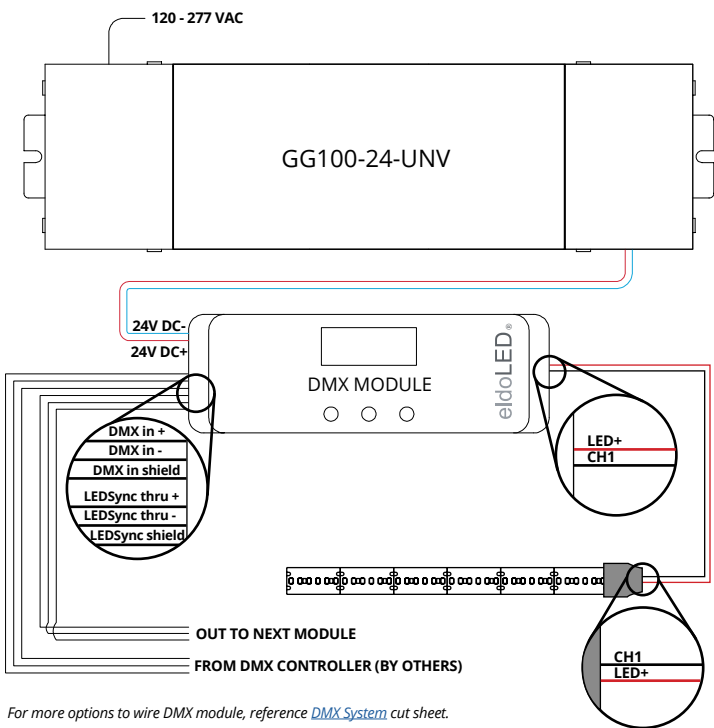
PART	DESCRIPTION
GG100E-24-UNV-010V	96W 120-277VAC ELECTRONIC DRIVER WITH 0-10V DIMMING MODULE (SINK)
DIMENSIONS	
96W	H 3.00"; W 11.46"; D 1.30"
DIMMING PERFORMANCE	
ELECTRONIC DRIVER - 0-10V	Dims below 1% on most 0-10V dimmers

FIELD INSTALLED IN LOW VOLTAGE WIRING COMPARTMENT

- Install DIM-010V Module in low voltage wiring compartment.
- Max number of 25 modules on one dimmer. Consult dimmer datasheet for maximum device limitation of a specific controller.



COMPATIBLE DRIVERS



For more options to wire DMX module, reference [DMX System](#) cut sheet.

ELECTRONIC DRIVER W/DMX MODULE (DMX)

PART	DESCRIPTION
GG100E-24-UNV-DMX	96W 120-277VAC ELECTRONIC DRIVER WITH eldoLED DMX DIMMING MODULE

DIMENSIONS

96W	H 3.00"; W 11.46"; D 1.30"
DMX MODULE	H 1.97"; W 6.02"; D 0.91"

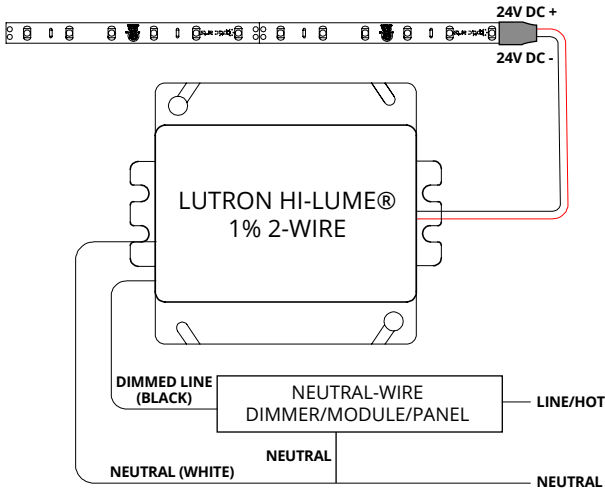
*Must be installed in UL box (by others)

DIMMING PERFORMANCE

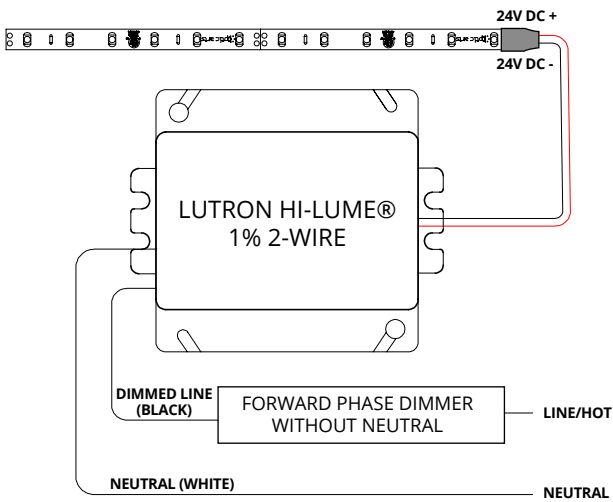
ELECTRONIC DRIVER - DMX MODULE Dims to 0.1% on most DMX systems

COMPATIBLE DRIVERS

DIMMER WITH NEUTRAL



DIMMER WITHOUT NEUTRAL

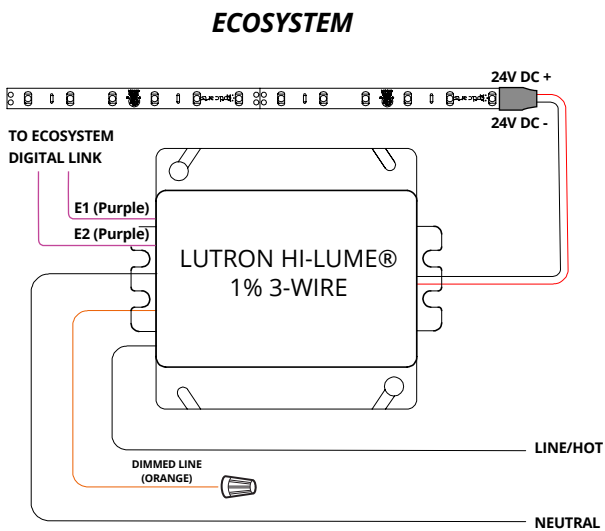
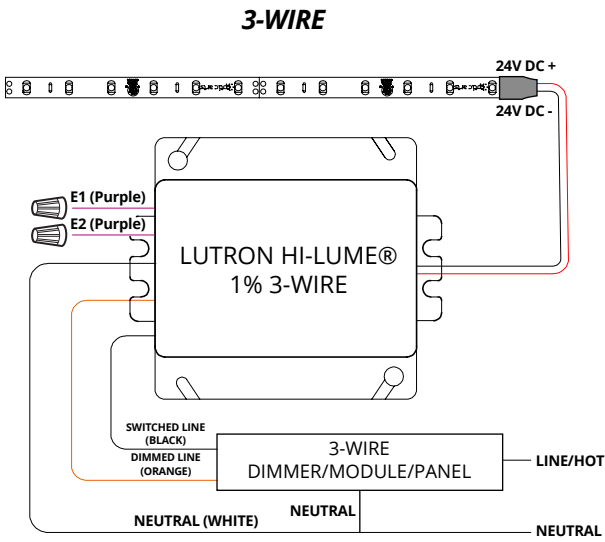


**LUTRON HI-LUME® 1% 2-WIRE:
2-WIRE CONTROL FORWARD PHASE**



PART	DESCRIPTION
LTEA4U1UKL-CV240	5-40W, 120VAC, 2-WIRE FORWARD PHASE DRIVER
DIMENSIONS	
LUTRON HI-LUME® 1% 2-WIRE	H 4.00"; W 4.89"; D 2.62"
DIMMING PERFORMANCE	
LUTRON HI-LUME® 1% 2-WIRE	Dims to 1% with compatible Lutron controls

COMPATIBLE DRIVERS



**LUTRON HI-LUME® 1%:
3-WIRE/ECOSYSTEM**

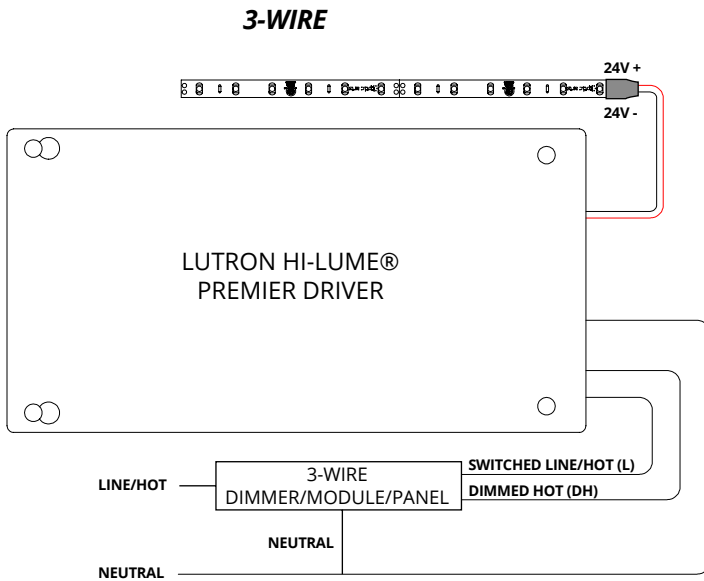


PART	DESCRIPTION
L3DA4U1UKL-CV240	5-40W, 120-277VAC, 3-WIRE/ECOSYSTEM DRIVER

DIMENSIONS	
LUTRON HI-LUME® 1% 3-WIRE/ ECOSYSTEM	H 4.00"; W 4.89"; D 2.62"

DIMMING PERFORMANCE	
LUTRON HI-LUME® 1% 3-WIRE/ ECOSYSTEM	Dims to 1% with compatible Lutron controls

COMPATIBLE DRIVERS



LUTRON HI-LUME® PREMIER:
3-WIRE/ECOSYSTEM



PART	DESCRIPTION
L3D0-96W24V-U	2-96W, 120-277VAC, 3-WIRE/ECOSYSTEM DRIVER

DIMENSIONS

LUTRON HI-LUME® PREMIER	H 5.5"; W 10.5"; D 2.0"
-------------------------	-------------------------

DIMMING PERFORMANCE

LUTRON HI-LUME® PREMIER	Dims to 0.1% with compatible Lutron controls
-------------------------	--

NOTE: Lutron soft-on, fade to black technology available with Ecosystem Digital Control only.

