

# FLEX CONNECT™ INSTALLATION GUIDE

## NOTES

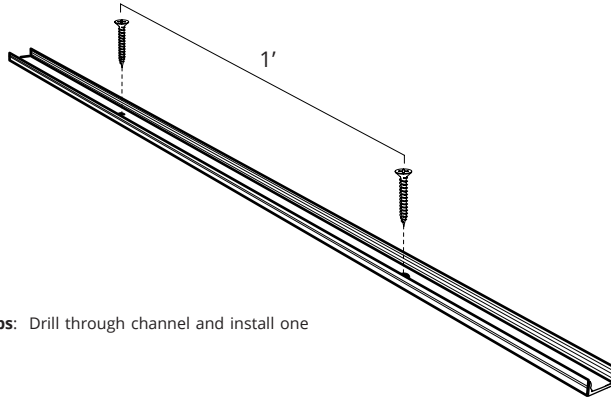
1. Flex Connect™ must be installed indoors only. Installing outdoors will void the warranty.
2. Installation must be carried out by a licensed electrician & executed in accordance with local codes.
3. The installing contractor assumes all liability for the safety and code compliance of the installation.
4. Optic Arts is not liable for any damages caused by improper wiring, driver overloading, driver under-loading, power surges, poor system design or layout, negligence or other conditions.
4. Connectors are designed for one mating only. Take care not to depress connector while handling.

Please read entire guide prior to starting installation.

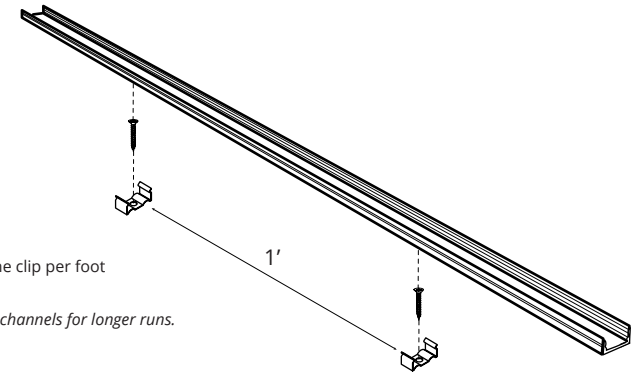


## INSTALLATION WITH CHANNEL

1.

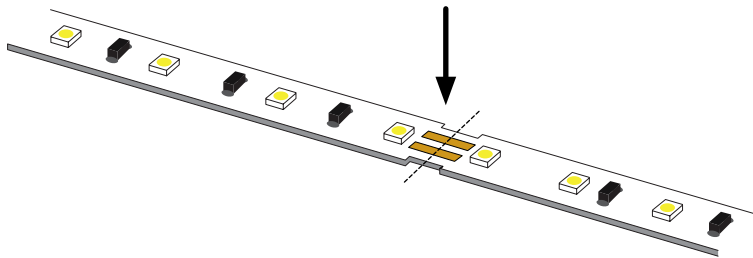


**1.1 Channel without mounting clips:** Drill through channel and install one screw per foot.



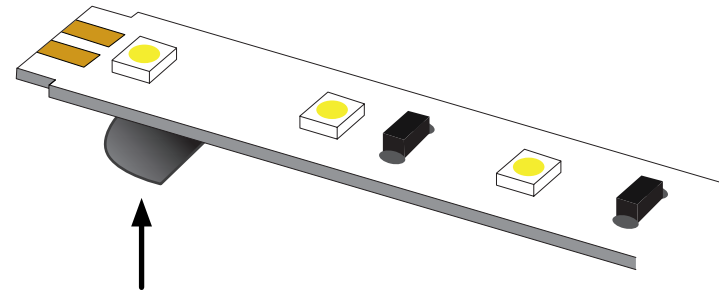
**1.2 Channel with mounting clips:** Install one clip per foot and snap channel into clips.  
 a) Join channels end to end if aligning multiple channels for longer runs.

2.



**2.1** Cut Flex Connect to desired length using scissors. Cut only at indicated cut point.

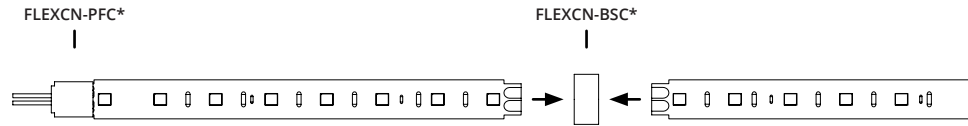
NOTE: See next page for splice combination options.



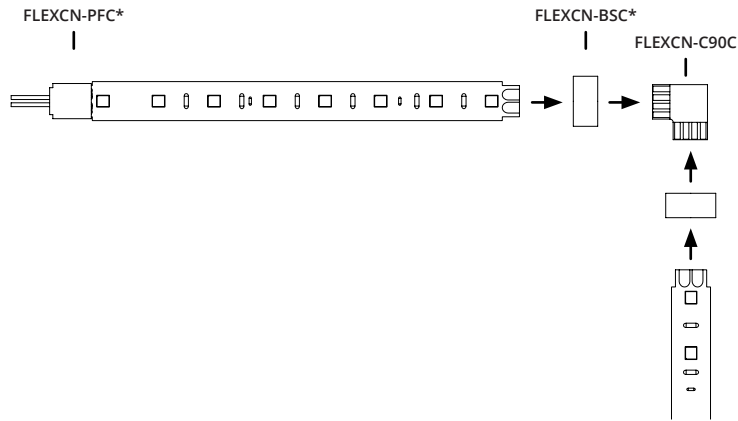
**2.2** Peel back 0.15" of double sided tape and backing off of strip.

## WIRING DIAGRAMS

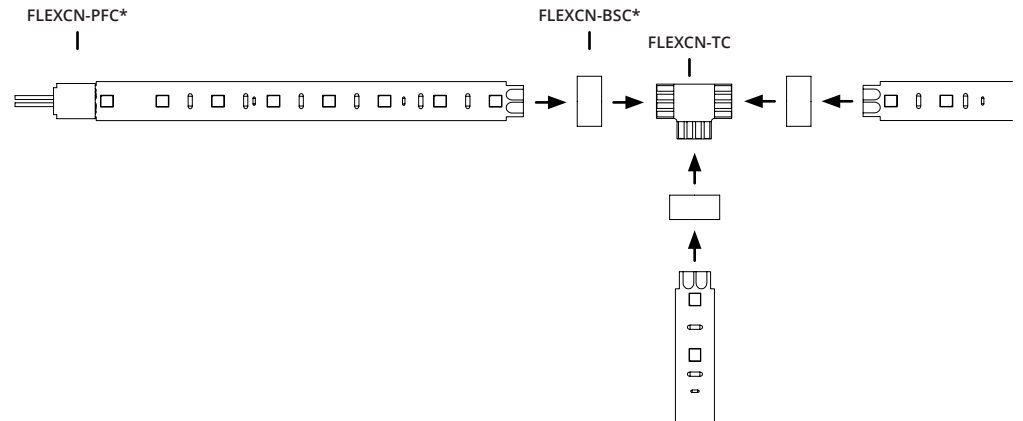
### 3. Straight Splice



### Corner Splice



### "T" Splice



**OPTIC ARTS PRO TIP:**

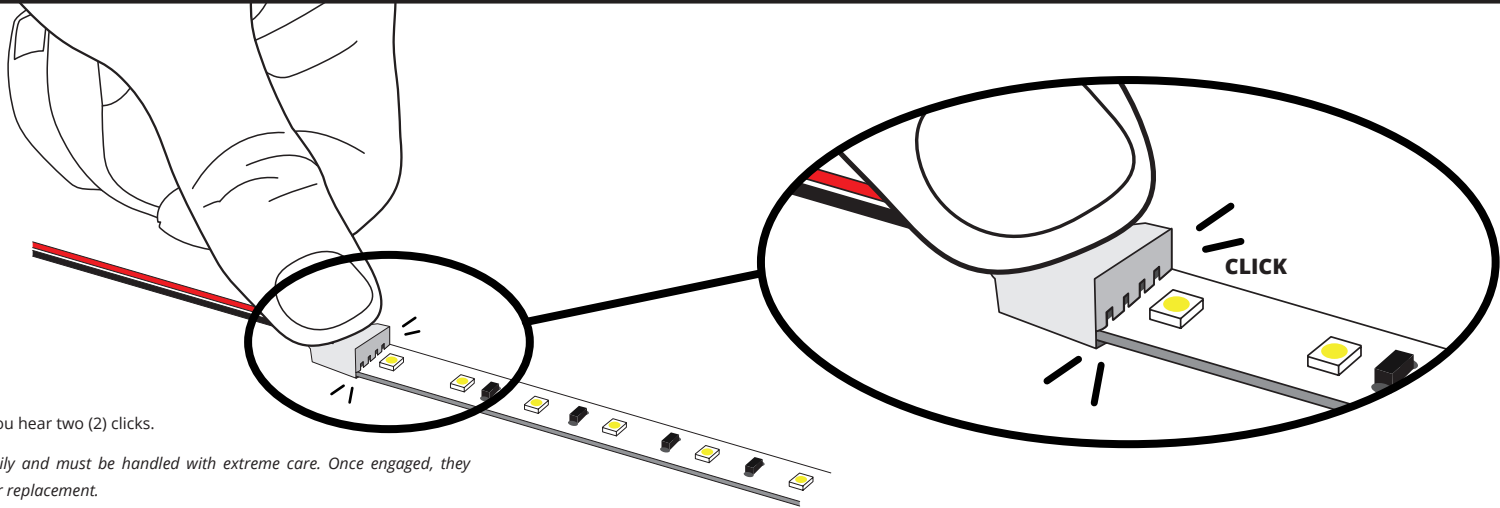
FLEXCN-PFC & FLEXCN-BSC will not work if solder is found on contact pads.  
 One segment of FLEX Connect must be cut to make junction possible.

\*WARNING: Connector engages very easily and must be handled with extreme care. Once engaged, they cannot be reused. Contact Optic Arts® for replacement.

# FLEX CONNECT™ INSTALLATION GUIDE

## INSTALLATION WITH CHANNEL

4.

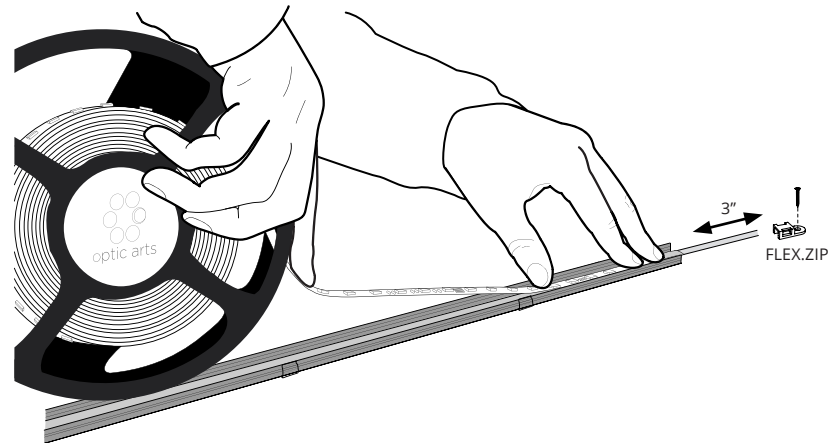


**3.1** Slide connector\* on the strip.

**3.2** Depress connector housing until you hear two (2) clicks.

*\*WARNING: Connector engages very easily and must be handled with extreme care. Once engaged, they cannot be reused. Contact Optic Arts® for replacement.*

5.



**4.1** Clean inside of aluminum channel using rubbing alcohol and allow to dry.

**4.2** Install FLEX.ZIP mounting clip 3" away from end of mounting tape.

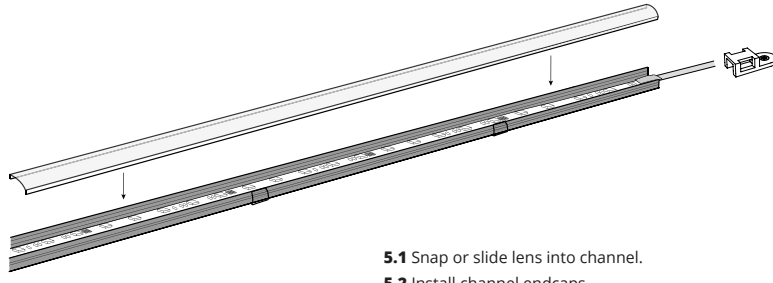
**4.3** Remove liner from the back of the Flex Connect™.

**4.4** Install Flex Connect™ avoiding any bubbles, folds, or creases.

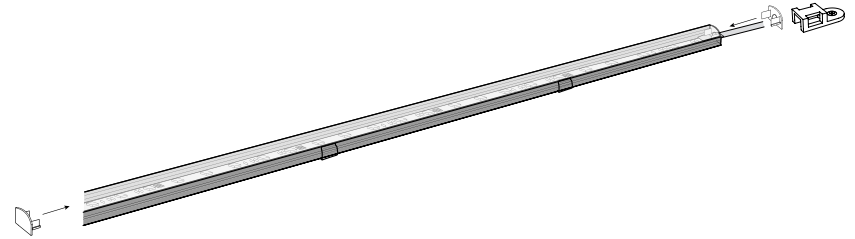
**4.5** Apply pressure to Flex Connect™ by firmly, but gently, pressing down with your fingers.

## FLEX CONNECT™ INSTALLATION GUIDE

6.

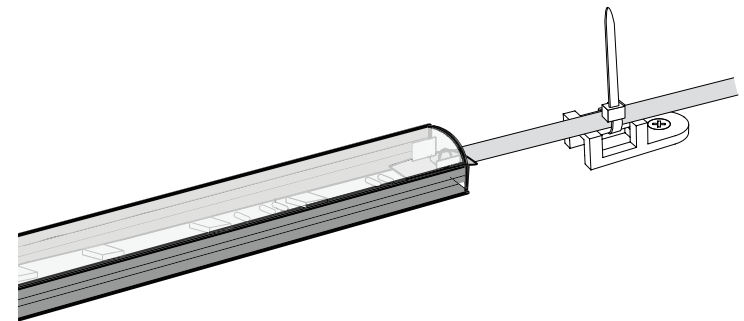
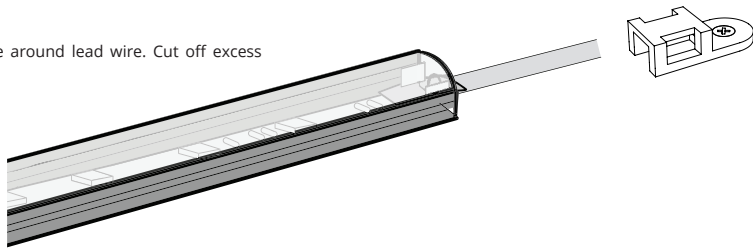


5.1 Snap or slide lens into channel.  
5.2 Install channel endcaps.



7.

6.1 Install zip tie around lead wire. Cut off excess zip tie.

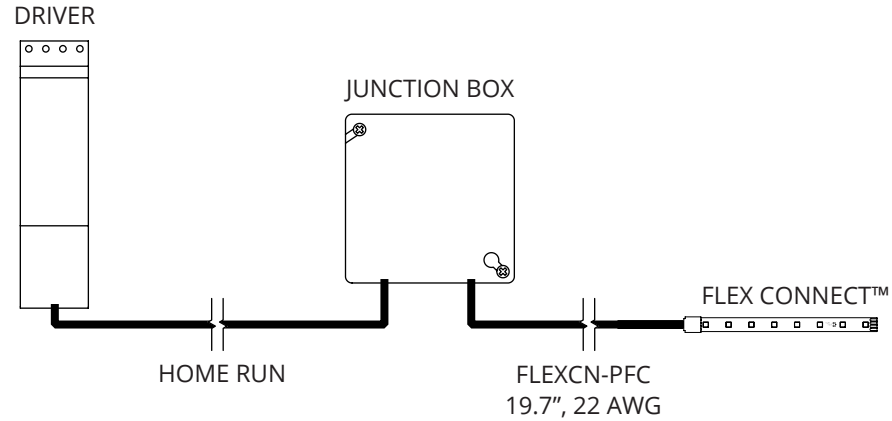


# FLEX CONNECT™ INSTALLATION GUIDE

## REMOTE DRIVER DISTANCE CHART

**NOTES:**

1. Calculated using 4 amp draw (96 Watts at 24VDC).
2. Calculation includes 19.70" 22 AWG Flex Connect™ power feed wire connected to home run.



HOME RUN DISTANCE	MINIMUM GAUGE	VOLTS	% DROP
5'	20 AWG	23.40	2.49%
10'	18 AWG	23.30	2.94%
15'	16 AWG	23.40	2.82%
20'	14 AWG	23.40	2.49%
25'	14 AWG	23.30	2.92%
30'	12 AWG	23.43	2.395%
35'	12 AWG	23.37	2.66%
40'	12 AWG	23.30	2.93%
45'	10 AWG	23.45	2.31%
50'	10 AWG	23.41	2.48%
55'	10 AWG	23.37	2.64%
60'	10 AWG	23.33	2.81%
65'	10 AWG	23.29	2.98%
70'	8 AWG	23.46	2.28%
75'	8 AWG	23.43	2.38%
80'	8 AWG	23.41	2.49%
85'	8 AWG	23.38	2.59%
90'	8 AWG	23.36	2.70%
95'	8 AWG	23.33	2.80%
100'	8 AWG	23.31	2.91%