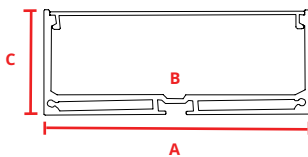




## PHYSICAL

<b>Description</b>	Wide surface mounted or hanging channel with flat lens.
<b>Material</b>	Anodized Aluminum
<b>Lens Cover</b>	Polycarbonate
<b>Width</b>	<b>A:</b> 2.95" (75.00mm)
<b>Inner Width</b>	<b>B:</b> 2.52" (64.00mm)
<b>Height</b>	<b>C:</b> 1.26" (32.00mm)
<b>Length</b>	2 meters

## DIMENSIONS



*\*Must specify for hanging or surface mount application.*

## FINISH

Satin Silver	<b>*White Powder Coat</b>
Deep Bronze	<b>*Custom RAL Powder Coat</b>
<b>*Matte Black</b>	<b>*Chrome</b>

*\*Special order finishes may increase order lead time and incur an added cost*

## ACCESSORIES

	<b>PART #</b>
<b>Anodized Aluminum End Cap</b>	CHW-SH-7532-EC
<b>Anodized Aluminum End Cap w/Hole</b>	CHW-SH-7532-ECH
<b>Hanging Hardware</b>	CHW-SH-MW
<b>Frosted Lens</b>	CHW-SH-7532-CF
<b>Bracket Straight</b>	CHW-SH-BS
<b>Bracket 90° Flat</b>	CHW-SH-B90F
<b>Bracket 90° Raised</b>	CHW-SH-B90R



Center Blend



Not Blended



Blended w/Frosted

## COMPATIBLE FLEX PRODUCTS

FLEX DC 15		FLEX DC 22	
FLEX DC 30		FLEX DC 44	
FLEX DC 88		FLEX 44 RGBW	
FLEX DC 88 RGBW		FLEX DC QUAD	
FLEX STP 73 <small>IP20 only</small>		FLEX STP RGBW <small>IP20 only</small>	
FLEX STP VARIABLE WHITE <small>IP20 only</small>		FLEX DC VARIABLE WHITE	
FLEX STP 40 <small>IP20 only</small>		FLEX STP 20 <small>IP20 only</small>	

## PART NUMBER BUILDER

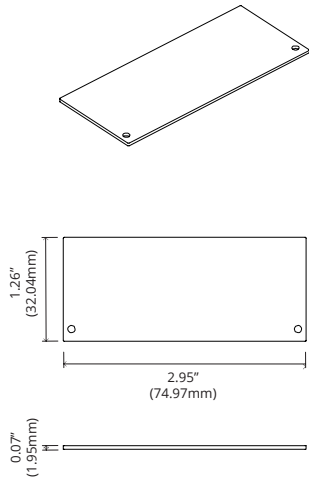
SERIES	+	CHANNEL TYPE	+	DIMENSIONS	+	LENS	+	FINISH
CHW = Channel Wide		S = Surface Mounted H = Hanging Channel		7532 = H 32.00mm x W 75.00mm		2F = Frosted Lens		SL = Satin Silver *MB = Matte Black Anodized *BZ = Deep Bronze Anodized *WH = White Powder Coat *GY = Gray Powder Coat *BL = Blue Powder Coat *RD = Red Powder Coat *YL = Yellow Powder Coat *CH = Chrome *CR = Custom RAL Powder Coat

*\*Special order finishes may increase order lead time and incur an added cost*

## ACCESSORIES

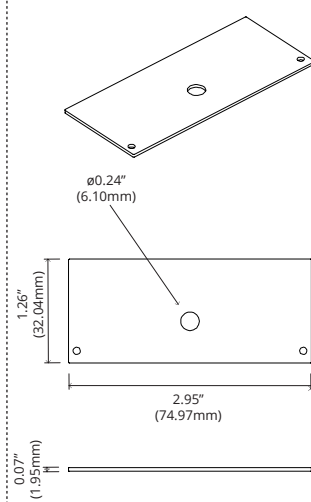
### CHW-SH-7532-EC

Anodized Aluminum  
End Cap



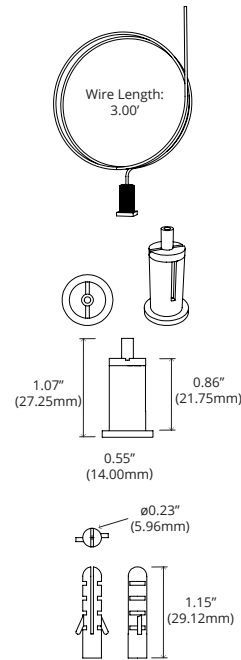
### CHW-SH-7532-ECH

Anodized Aluminum  
End Cap w/Hole



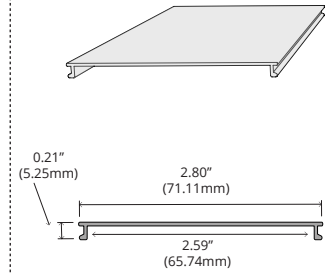
### CHW-S-7532-HHK

Hanging Hardware



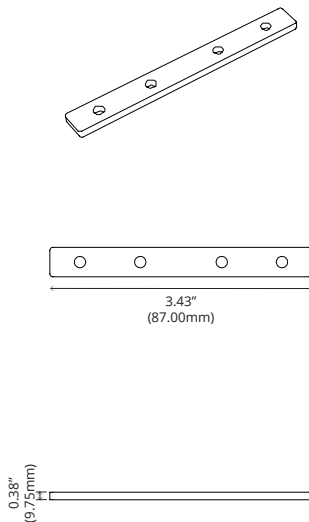
### CHW-SH-7532-CF

Frosted Lens



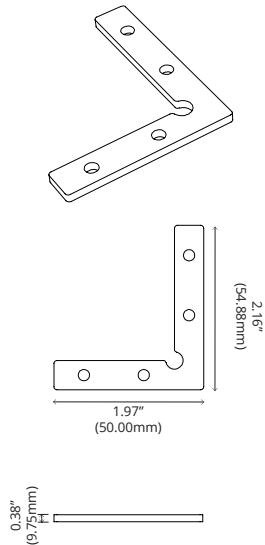
### CHW-SH-BS

Bracket Straight



### CHW-SH-B90F

Bracket 90° Flat



### CHW-SH-B90R

Bracket 90° Raised

