



Stiletto - Trimless recessed linear LED system. The Stiletto is a trimless recessed linear profile for drywall ceilings. It is designed for a seamless and continuous look that is available for straight runs as well as complex shapes. Additionally, the Stiletto features “No-Dots” meaning pixelation is completely eliminated creating a smooth and even lit-up effect.

Ordering Code

Fixture	565	115						
	1	2	3	4	5	6	7	8

Product Specifications

SAMPLE : Fixture 565 - 115 - 500 - LO - 27 - B36 - 6'

1 - Type	2 - Model	3 - Lens	4 - LED Style*1	
565 · Profile	115 · Stiletto	500 · Frosted 502 · Clear 512 · Black	Static White LO1W · LLHE48LO-1W 1 Watt LO · LLHE48LO Low Output SO · LLHE48SO Standard Output MO · LLHE48MO Medium Output HO · LLHE48HO High Output VHO · LLHE64MO Very High Output XHO · LLHE64HO Max Output 271 · 271 Style LED Strip*4	Dynamic Color*2 DWSO · LLDW68SO Dynamic White Standard Output DWHO · LLDW68HO Dynamic White High Output RGBSO · LLRGB42SO Color changing Standard Output RGBHO · LLRGB42HO Color changing High Output RGBWSO · LL-RGBW36-SO Color changing Standard Output RGBWHO · LL-RGBW36-HO Color changing High Output
5 - CCT	6 - Finish		7 - Feed Point	8 - Fixture Length*1
Static White 22 · 2200K 25 · 2500K 27 · 2700K 30 · 3000K 35 · 3500K 40 · 4000K	Dynamic Color*2 1935 · 1900K - 3500K*3 98 · RGB Color changing 99 · RGB+W Color changing		01 · White 02 · Black*3 08 · Silver*3 XX · Custom	B36 · 36" Back Fed BXX · Custom Back Fed XX · Custom (XX.XX) NOTE: For Channels and Lenses over 90", incremental shipping charges will apply

*1 Refer to page 2 for LED cut length intervals and available CCT

*2 DMX driver required

*3 Please ask about different CCT ranges

*4 Only available in 3500K

LED Technical Information

	STYLE	WATT/FT	DELIVERED LM/FT CLEAR	DELIVERED LM/FT FROSTED	DELIVERED LM/FT BLACK	CRI	MAX. LENGTH	Color TEMPERATURE
Static White	LLHE48LO-1W	1.0	98	88	25	92	60'	2200K, 2500K, 2700K, 3000K, 3500K, 4000K
	LLHE48LO	1.9	198	176	49	92	48'	
	LLHE48SO	2.8	282	252	70	92	42'	
	LLHE48MO	3.5	377	336	94	92	33'	
	LLHE48HO	7.3	604	539	151	92	21'	
	LLHE64VHO	7.5	893	799	247	92	15'	
	LLHE64XHO	9.6	1078	956	295	92	13'	
	271	7.3	686	612	171	90	9.8'	
Dynamic Color	LLDW68SO-1935	4.1	258	230	64	95	32'	1900K - 3500K
	LLDW68HO-1935	5.2	326	291	81	96	32'	
	LLRGB42SO	4.4	156	139	39	---	28'	Red/Green/Blue
	LLRGB42HO	7.7	242	216	60	---	28'	
	LLRGBW36SO	4.1	165	147	41	97	26'	Red/Green/Blue White LED 97 CRI / 3000K
	LLRGBW36HO	7.6	295	263	73	97	26'	

* Lumen output calculations based on 3500K.
For LED strip information, See the page for:

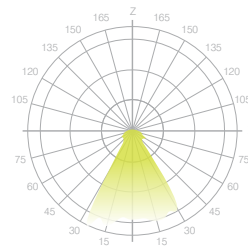
LLHE48 & 64 [HERE](#)
LLDW68 [HERE](#)
LLRGB42 [HERE](#)
LLRGBW36 [HERE](#)

Lens/Light Distribution

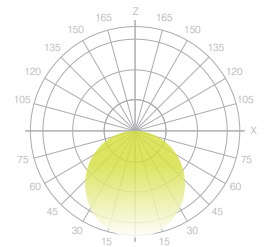
part number **500** (frosted 65% transparent)
502 (clear 95% transparent)

- PMMA construction
- Easily clipped in profile
- Comes precut to match profile length
- Flush

Clear Lens



Frosted Lens



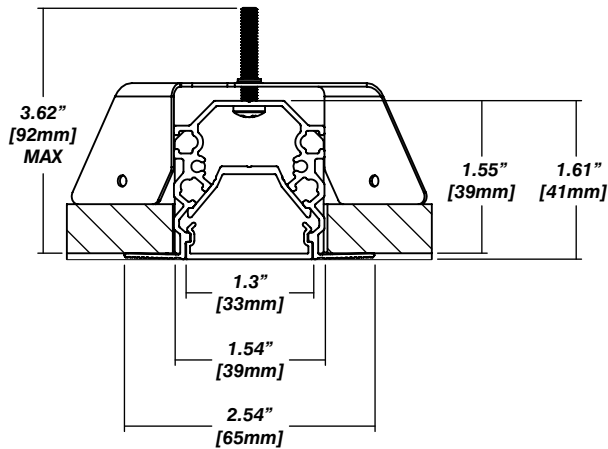
Construction

- Housing: Aluminum extrusion
- Made in Canada

Installation

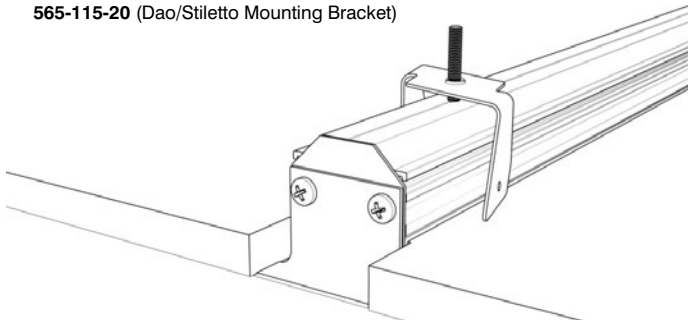
- Factory assembled for easy and fast installation
- Electrical wire included

Dimensions



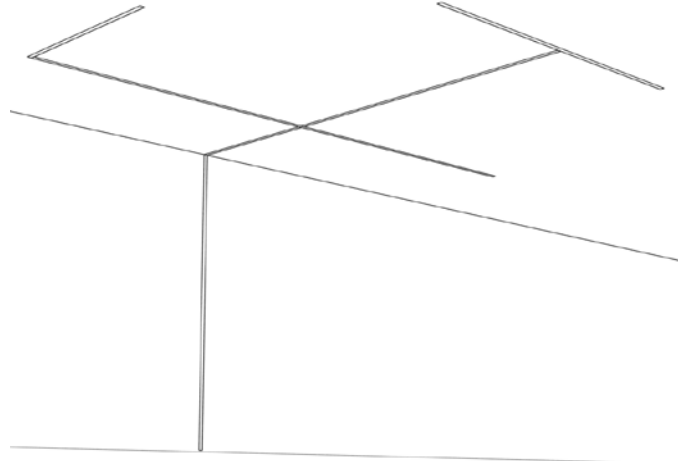
Mounting

565-115-20 (Dao/Stiletto Mounting Bracket)



Intersecting System Using Corners, T & X Nodes

The Stiletto system is not limited to straight runs. Available L, T & X nodes, used in association with linear sections, provide freedom to create seamless configurations. For advanced configurations, contact the SENSO factory to complete your system.



How To Specify

1. Draw your layout, considering:
 - Drawings are made using center axis as reference
 - Indicate preferred feed point location
 - Minimum length per section: 1'
 - Cut length in 2.36" increments
2. Provide the following information
 - Total number of corners
 - Total length
 - Drawing

Notes

Please send us a detailed drawing of your design, making sure to use the centre-line for your dimensions. We will provide you with a complete layout drawing lengths, parts involved, and required feed points.

Universal Power Supply 1% 120VAC - 277VAC

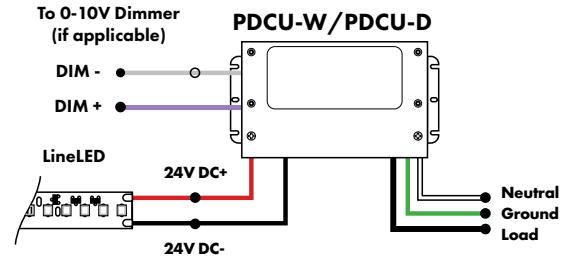
Universal Power Supply 1% 120VAC - 277VAC

MODEL	POWER	OUTPUT
PDCU-D - IP20 Dry Series	30 - 30 W 60 - 60 W 96 - 96 W	24 - 24 VDC

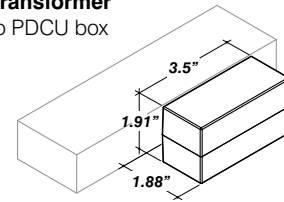
PDCU-W - IP66 Wet Series 96 - 96 W

0-10V dims down to 1%, MLV/ELV/TRIAC dims down to 1%.
Contact Senso to specify 347V transformer.
For a complete details on the Universal Power Supply, see Spec Sheet, Compatible Dimming and Install Guide on the [Resources page](#).

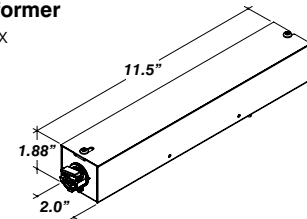
MODELS	PDCU-W 96W	PDCU-D 30W	PDCU-D 60W	PDCU-D 96W
Length	8.66"	6.10"	7.93"	8.25"
Width	3.73"	3.35"	3.35"	4.10"
Depth	1.61"	1.33"	1.32"	1.56"



30W/60W 347V Transformer
attaches directly to PDCU box



96W 347V Transformer
wired to PDCU box



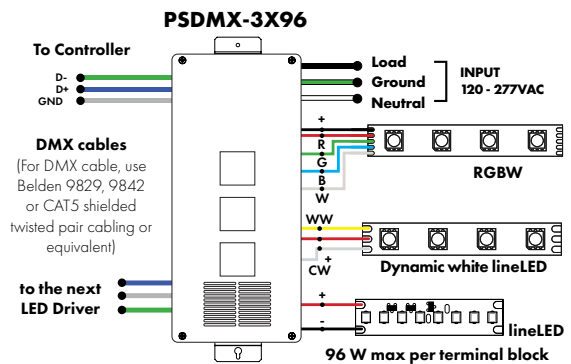
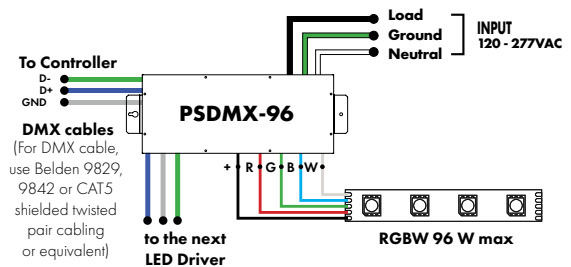
DMX Dimming Power Supply 120VAC - 277VAC

DMX Dimming Power Supplies 120VAC - 277VAC

MODEL	POWER	OUTPUT
PSDMX - DMX Power Supply dims down to 0%	96 - 96 Watt 3X96 - 3 X 96 Watt	24 - 24 VDC

Features eldoLED's LINEARdrive configurable dimmable drivers. For a complete details on the DMX Dimming Power Supply, see Spec Sheet on the [Resources page](#).

MODELS	96W	3X96
Length	14.40"	15.75"
Width	5.20"	6.62"
Depth	2.60"	4.95"



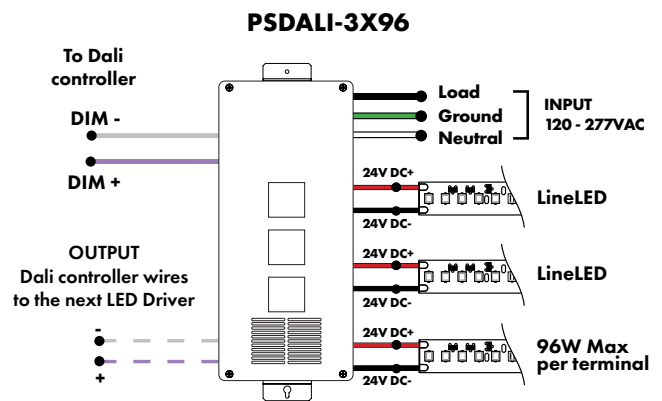
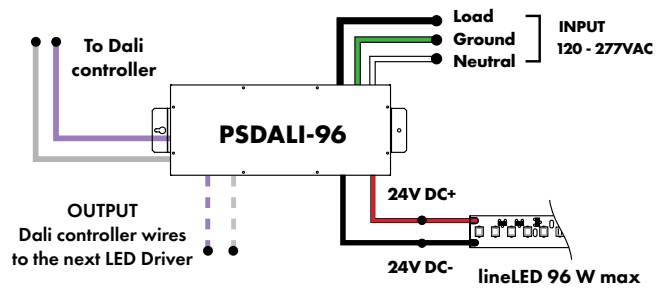
DALI 0% Dimming Power Supplies 120VAC - 277VAC

DALI 0% Dimming Power Supplies 120VAC - 277VAC

MODEL	POWER	OUTPUT
PSDALI - DALI Power Supply dims down to 0%	96 - 96 Watt 3X96 - 3 X 96 Watt	24 - 24 VDC

Features eldoLED's LINEARdrive configurable dimmable drivers

Model	96W	3X96
Length	14.40"	15.75"
Width	5.20"	6.62"
Depth	2.60"	4.95"



LUTRON®

Luminii is a Lutron OEM Advantage Partner

Lutron Power Supplies 1%

MODEL

LTEA4U1UKL-CV240

Lutron - Hi-lume™ 1% 2-wire LED Driver
40W max

(120V forward phase only)

MODEL

L3DA4U1UKL-CV240

Hi-lume™ 1% EcoSystem Voltage LED driver
40W max

MODELS	LTEA4U1UKL-CV240	L3DA4U1UKL-CV240
Length	4.89"	4.98"
Width	4.00"	4.00"
Depth	2.62"	2.62"

For a complete details on the Lutron Power Supply, see Spec Sheet and Install Guide on the [Resources page](#).

LUTRON®

Luminii is a Lutron OEM Advantage Partner

Lutron Power Supplies 0.1%

MODEL

L3D0-96W24V-U

Hi-lume™ 0.1% EcoSystem Voltage LED Driver with Soft-On, Fade-to-Black™
96W max

MODELS	L3D0
Length	10.50"
Width	5.50"
Depth	2.00"

