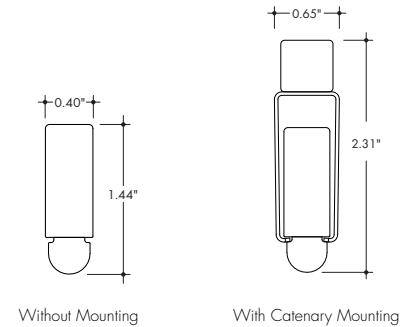


Plexineon Catenary Mount

Static White and Monochrome Colors



- For interior and exterior accent lighting
- Neon look providing a clear line of light visible for miles
- Includes Turnbuckles, Mounting Frame, Mounting Clips, and other hardware necessary to assemble to Catenary Cable
- Catenary Cable, Poles, Cable Eyes, and other Cable support hardware by others
- Operating Temperature: -40° F to 140° F (-40° C to 60° C)
- 24VDC Class 2
- IK10 and 3G rated
- IP67 rated. IP68 rating available upon specific request
- 5 year warranty indoor, 3 year warranty outdoor



Technical Information

MODEL	Plexineon Static White (30K)	Plexineon Monochrome Colors					
		Red	Blue	Green	Magenta	Teal	Yellow
OUTPUT OPTIONS		SO					
Lumens Output (3000K)	123 lm/ft	14 lm/ft	11 lm/ft	50 lm/ft	24 lm/ft	60 lm/ft	62 lm/ft
Average Power Consumption (for a 4' section)	3.2 W/ft	1.2 W/ft	1.4 W/ft	1.5 W/ft	2.6 W/ft	2.9 W/ft	2.7 W/ft
Wavelength	N/A	622 nm	468 nm	525 nm	567 nm	486 nm	563 nm
Efficacy	39 lm/W	12.1 lm/W	8.1 lm/W	33.8 lm/W	9.2 lm/W	20.9 lm/W	23.2 lm/W
Cut Increment		1.97"					
Max Run Length (in series)	30 ft	32ft	32ft	32ft	32ft	32ft	32ft

CCT	Multiplier (reference - 3000K)	TM-30		
		CRI	R _f	R _g
2700K	0.94	90	88	97
3000k	1.00	90	87	97
3500k	1.02	90	87	97
4000k	1.02	90	84	92

Ordering Code

MODEL	RUN LENGTH ¹	BEND	CCT	OUTPUT	LENS	MOUNTING	FINISH	POWERFEED POSITION/TYPE
PX - Plexineon	_____ - Run length in inches, 6" min, no max run length	SR - Straight Run	27K - 2700K 30K - 3000K 35K - 3500K 40K - 4000K B - Blue G - Green T - Teal Y - Yellow R - Red M - Magenta	SO - Standard	F - Frosted	CD - Catenary Mount, Decorative Clips ²	GG - Gloss Grey BK - Matte Black GY - Matte Grey WH - Matte White	B-4 - Male Quick Connect One End, Female Quick Connect Other End

1. Static White and Monochrome colors are available in 2" increments, +/- 1/2" tolerance. Run Lengths over 96" (8ft) will be made of equal sections no longer than 96".
 2. Catenary Mount fixtures include a fixture mounting frame and all mounting components necessary to attach to Catenary Cable (by others). Decorative mounting clips included approximately every 18" of linear/arc length and match the fixture finish.

Plexineon Catenary Mount

Static White and Monochrome Colors



Finish Options

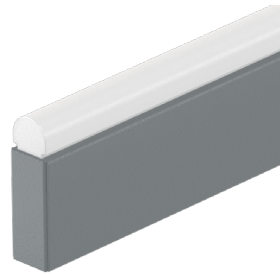
BK
Matte Black Finish



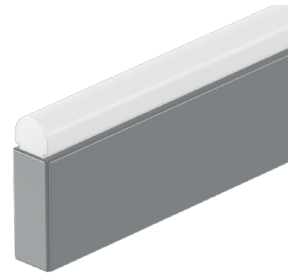
WH
Matte White Finish



GY
Matte Grey Finish



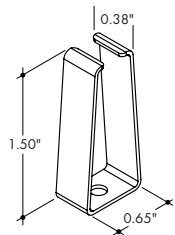
GG
Gloss Grey Finish



Mounting Components

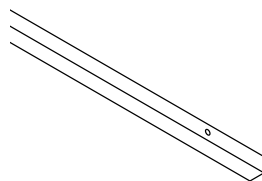
CD

Catenary Mount, Decorative Clip



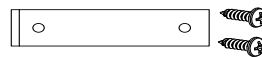
Thinner clip with finish options to match fixtures

Mounting Frame



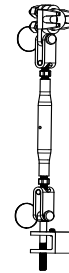
Mounting clips are riveted at the factory to the Mounting Frame. Finish matches Ordering Code Finish selected

Mounting Frame Joiner



Assembles Mounting Frame together for runs over 96" (8ft)

Adjustable Turnbuckle



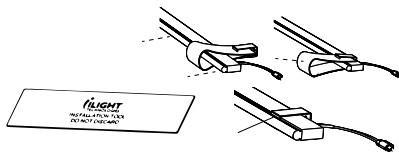
Able to adjust up to 2.5" vertically

Additional Material

- Ordered separately.

70-TOL02-001-01

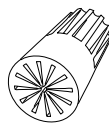
Mounting Clip
Installation Tool



Use for installation of Plexineon into Mounting Clips

60-12-22AWGSBWN

Weatherproof Wire Nut
Silicone Filled



Order 2 per Power Supply

55-STW02-050-00

50 ft of 14 gauge wire Black jacket,
2 conductors



Sunlight, moisture resistant, and flame retardant PVC jacket per UL 1277

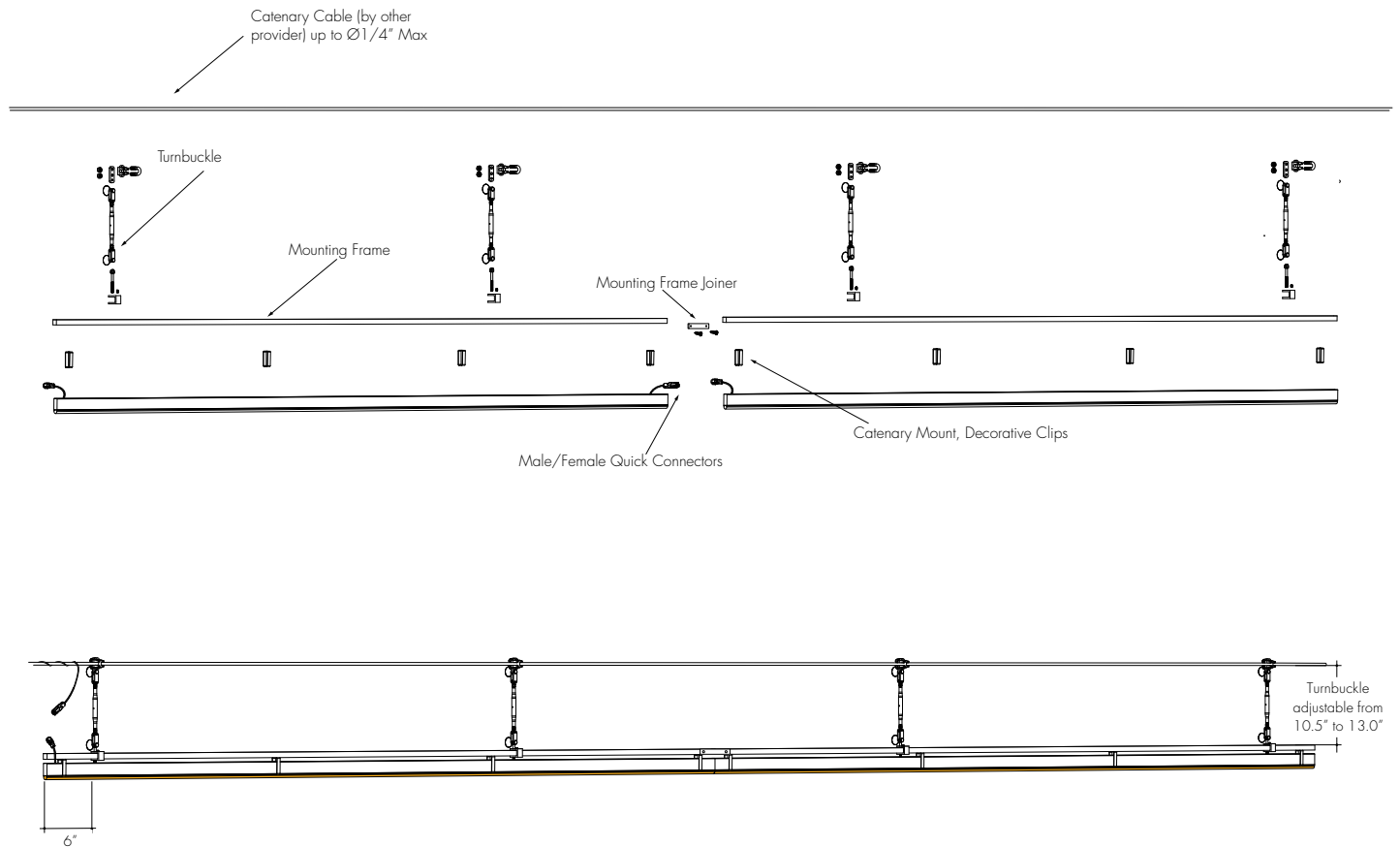
Plexineon Catenary Mount

Static White and Monochrome Colors

Sample Layout

PX-144-SR-30K-SO-F-CD-GG-B-4

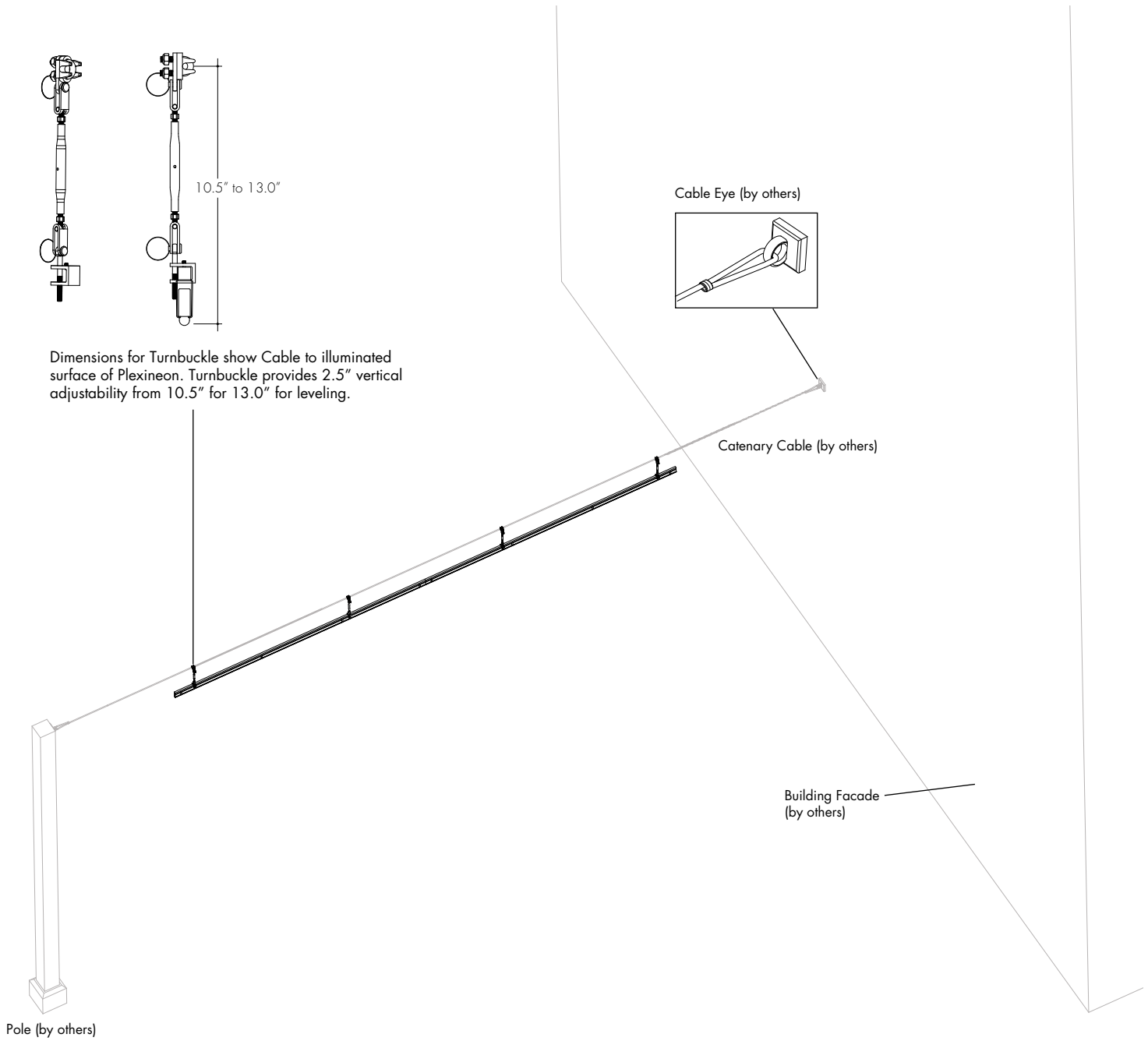
Plexineon Straight, Catenary Mount, Decorative Clips



Plexineon Catenary Mount

Static White and Monochrome Colors

Sample Layout



Plexineon Catenary Mount

Static White and Monochrome Colors



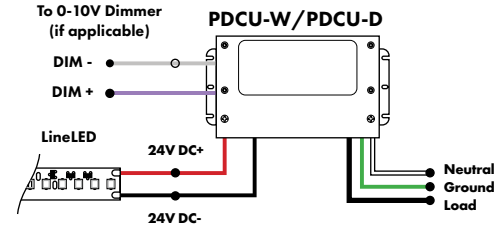
Power Supplies

See Power Supply instructions and spec sheet for wiring information. For a complete list of compatible dimmers, see [Compatible Dimming Chart](#) on the Resources page.

Universal Power Supply 1% 120VAC - 277VAC

MODEL	POWER	OUTPUT
PDCU-D - IP20 Dry Series	30 - 30 W 60 - 60 W 96 - 96 W 3X96 - 3X96 W	24 - 24 VDC
PDCU-W - IP66 Wet Series	96 - 96 W 3X96 - 3X96 W	

0-10V dims down to 1%, MLV/ELV/TRIAC dims down to 1%.
For a complete list of compatible dimmers, see [Compatible Dimming Chart](#) on the Resources page.

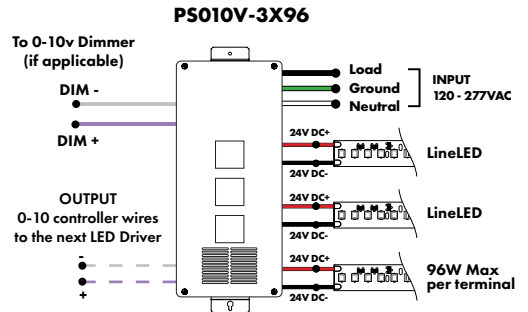
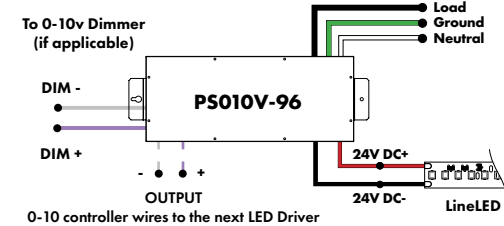


MODELS	PDCU-W 96W	PDCU-W 3X96W	PDCU-D 30W	PDCU-D 60W	PDCU-D 96W	PDCU-D 3X96W
Length	8.66"	11.85"	6.10"	7.93"	8.25"	9.57"
Width	3.73"	4.32"	3.35"	3.35"	4.10"	5.94"
Depth	1.61"	1.81"	1.33"	1.32"	1.56"	1.13"

0-10V Dimming Power Supplies 0.1% 120VAC - 277VAC

MODEL	POWER	OUTPUT	DIMMING
PS010V - 0-10V Power Supply dims down to 0.1%	96 - 96 Watt 3X96 - 3 X 96 Watt	24 - 24 VDC	LIN - Linear LOG - Logarithmic

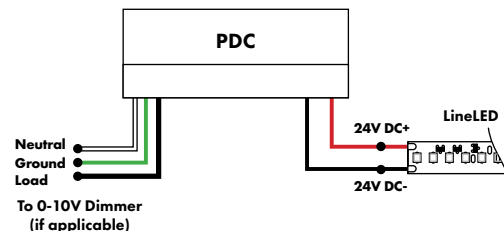
MODELS	96W	3X96
Length	14.40"	15.75"
Width	5.20"	6.62"
Depth	2.60"	4.95"



Triac, MLV, & ELV Compatible Dimmers

MODEL	POWER	OUTPUT
PDC - (IP20) Power Supply	96 - 96 Watts	24 - 24 VDC

MODELS	96W
Length	8.25"
Width	4.10"
Depth	1.56"



Plexineon Catenary Mount

Static White and Monochrome Colors



Power Supplies

See Power Supply instructions and spec sheet for wiring information. For a complete list of compatible dimmers, see Compatible Dimming Chart on the Resources page.

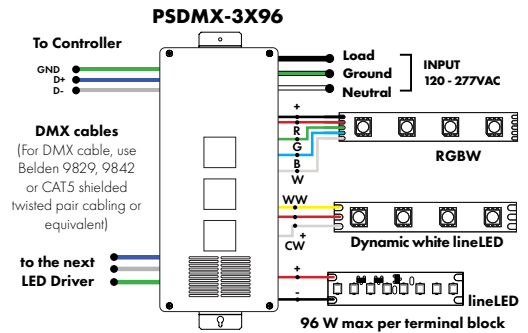
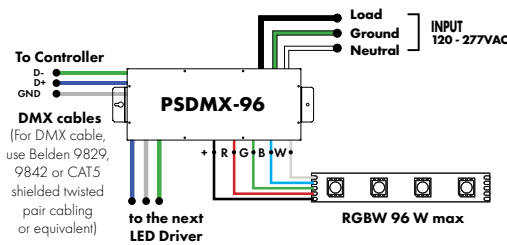
DMX Dimming Power Supplies 120VAC - 277VAC

MODEL	POWER	OUTPUT
PSDMX	96 - 96 Watt 3X96 - 3 X 96 Watt	24 - 24 VDC

PSDMX - DMX Power Supply dims down to 0%

Features eldoLED's LINEARdrive configurable dimmable drivers

MODELS	96W	3X96
Length	14.40"	15.75"
Width	5.20"	6.62"
Depth	2.60"	4.95"



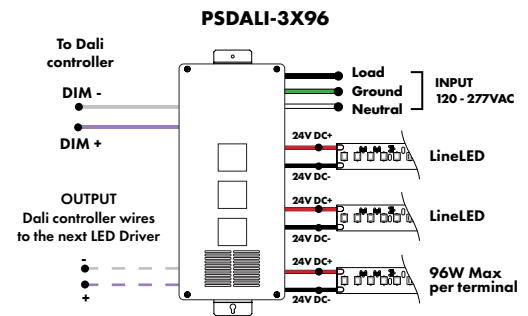
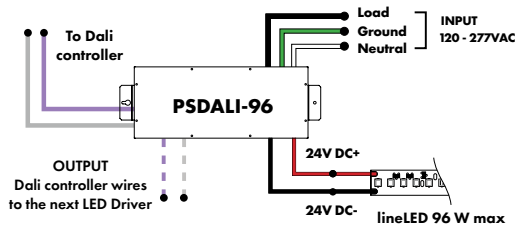
DALI 0% Dimming Power Supplies 120VAC - 277VAC

MODEL	POWER	OUTPUT
PSDALI	96 - 96 Watt 3X96 - 3 X 96 Watt	24 - 24 VDC

PSDALI - DALI Power Supply dims down to 0%

Features eldoLED's LINEARdrive configurable dimmable drivers

Model	96W	3X96
Length	14.40"	15.75"
Width	5.20"	6.62"
Depth	2.60"	4.95"

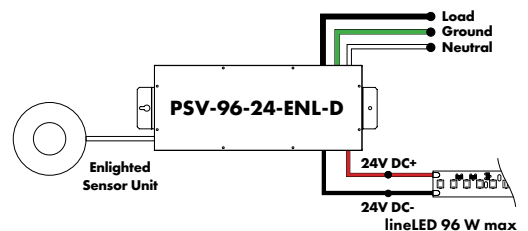


Enlighted Enabled Dimming Power Supplies 120VAC - 277VAC

MODEL	POWER	OUTPUT	DIMMING	LOCATION
PSV - PSV Series	96 - 96 Watt	24 - 24 VDC	ENL - Enlighted Dimming dims down to 0%	D - Damp

PSV - PSV Series 96 - 96 Watt 24 - 24 VDC ENL - Enlighted Dimming dims down to 0% D - Damp

Model	96W
Length	14.40"
Width	5.20"
Depth	2.60"



Plexineon Catenary Mount

Static White and Monochrome Colors



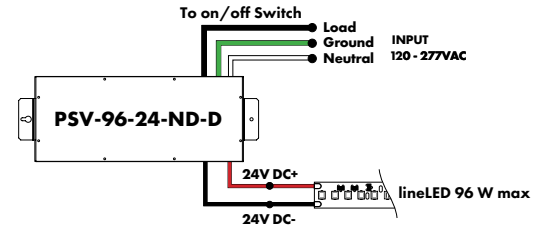
Power Supplies

See Power Supply instructions and spec sheet for wiring information. For a complete list of compatible dimmers, see Compatible Dimming Chart on the Resources page.

Non-Dimming Power Supply 120VAC - 277VAC

MODEL	POWER	OUTPUT	DIMMING	LOCATION
PSV - PSV Series	96 - 96 Watt	24 - 24 VDC	U2ND - Non Dimming	D - Damp

MODELS	96W
Length	14.40"
Width	5.20"
Depth	2.60"

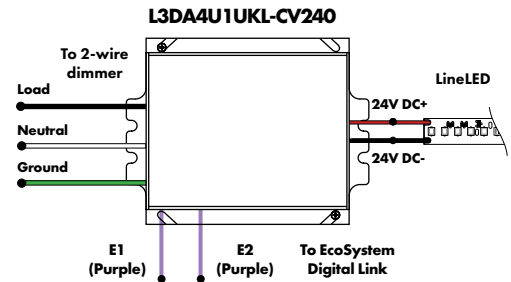


Luminii is a Lutron OEM Advantage Partner

Lutron Power Supplies 1%

MODEL
L3DA4U1UKL-CV240
HiLume™ 1% EcoSystem Voltage LED driver 40W max

MODELS	L3DA4U1UKL-CV240
Length	4.98"
Width	4.00"
Depth	2.62"

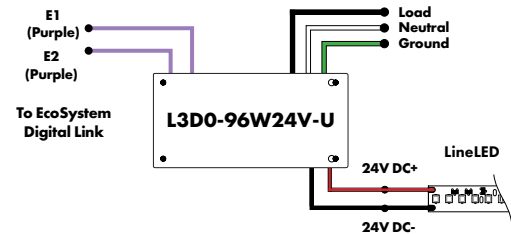


Luminii is a Lutron OEM Advantage Partner

Lutron Power Supplies 0.1%

MODEL
L3D0-96W24V-U
HiLume™ 0.1% EcoSystem Voltage LED Driver with Soft-On, Fade-to-Black™ 96W max

MODELS	L3D0
Length	10.50"
Width	5.50"
Depth	2.00"



In-Ground Power Supplies

MODEL	POWER	OUTPUT	INPUT
IG - In ground CVE Series CVE - ELV Dimming DALI - eldoLED Dali dimming Both dims down to 0%	96X2 - 2 X 96 Watt	24 - 24 VDC	Blank - 120 V 277 - 240/277 V

MODELS	Dual Circuit
Length	8.40"
Width	8.30"
Depth	8.10"

