

Myka Round - Installation Instructions

Models MKRO-XX

Please read all instructions prior to installation and keep for future reference!

1. PRODUCT TO BE INSTALLED BY A QUALIFIED ELECTRICIAN.
2. PRIOR TO INSTALLATION ENSURE POWER IS OFF AT FUSE BOX TO PREVENT ELECTRICAL SHOCK.
3. USE ONLY WITH CLASS 2 POWER SUPPLY.
4. SUITABLE FOR WET LOCATIONS.
5. SUITABLE FOR INSTALLATION WITHIN THE CLOSET STORAGE SPACE WHEN USED WITH TAPE OUTPUTS 2.8W/FT OR LESS

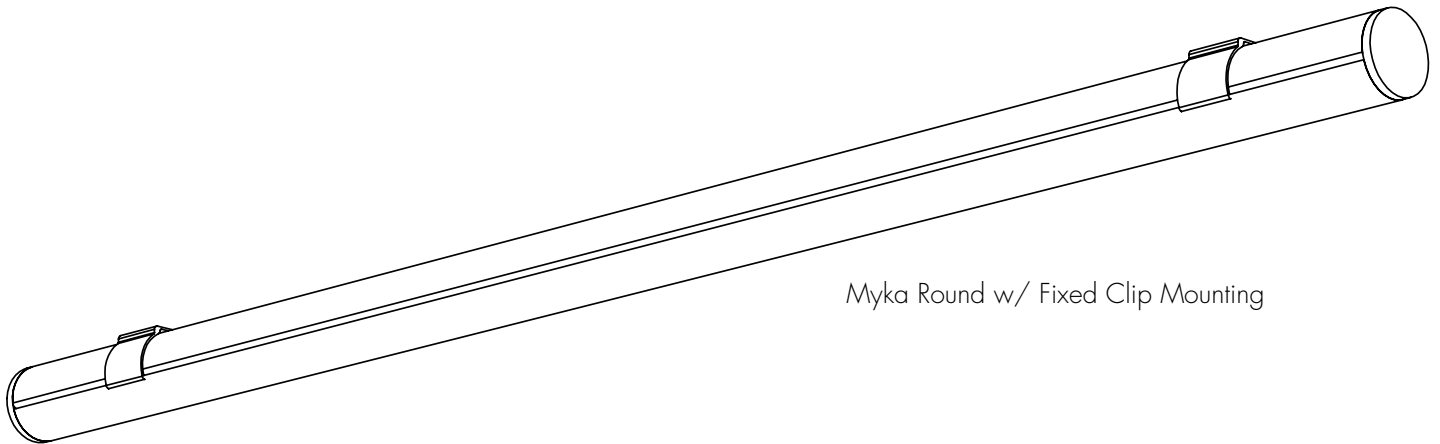


REVO.2
02012024

1 / 3



7777 Merrimac Ave
Niles, IL 60714
T 224.333.6033
F 224.757.7557
info@luminii.com
www.luminii.com



Myka Round w/ Fixed Clip Mounting

Myka Round - Installation Instructions

Models MKRO-XX



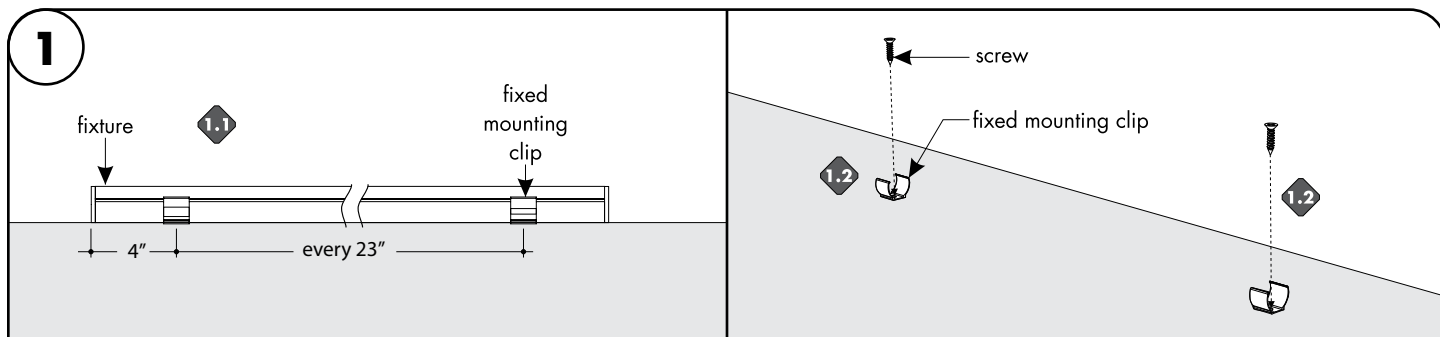
7777 Merrimac Ave
Niles, IL 60714
T 224.333.6033
F 224.757.7557
info@luminii.com
www.luminii.com

REVO.2
02012024

2 / 3

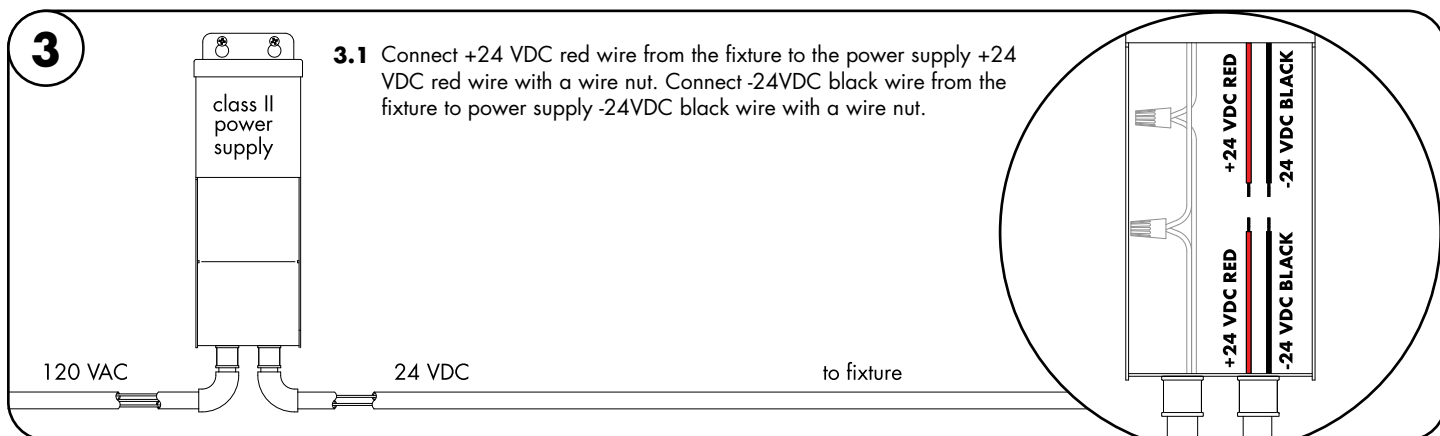
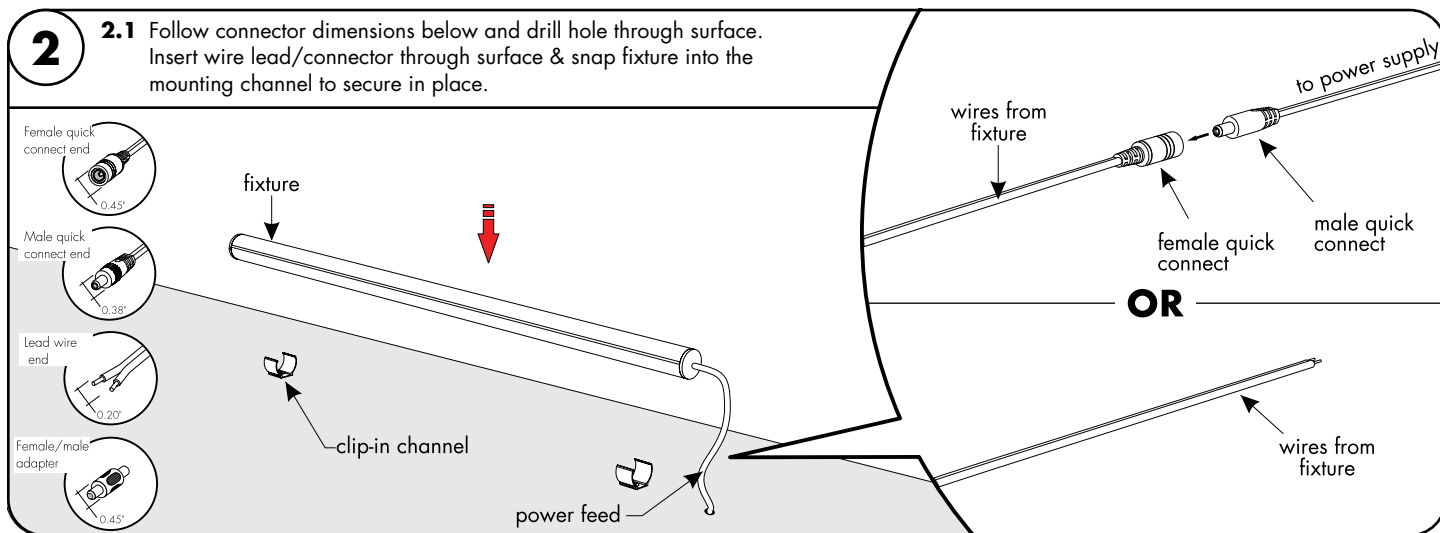
Please read all instructions prior to installation and keep for future reference!

1. PRODUCT TO BE INSTALLED BY A QUALIFIED ELECTRICIAN.
2. PRIOR TO INSTALLATION ENSURE POWER IS OFF AT FUSE BOX TO PREVENT ELECTRICAL SHOCK.
3. USE ONLY WITH CLASS 2 POWER SUPPLY.
4. SUITABLE FOR WET LOCATIONS.
5. SUITABLE FOR INSTALLATION WITHIN THE CLOSET STORAGE SPACE WHEN USED WITH TAPE OUTPUTS 2.8W/FT OR LESS



Note: Refer to the power supply installation instruction for additional information.
Note: More than one person is recommended for this installation.

- 1.1 Determine the location of where the fixture(s) will be installed. Lay the fixture(s) on the surface, and make any necessary reference marks for the fixed mounting clips. Make marks 4" from each end of the fixture(s) and also every 23" in between.
- 1.2 Lay the fixed clip onto the reference mark points and secure using the provided hardware.



Myka Round - Installation Instructions

Models MKRO-XX



7777 Merrimac Ave
Niles, IL 60714
T 224.333.6033
F 224.757.7557
info@luminii.com
www.luminii.com

REV.0.2
02012024

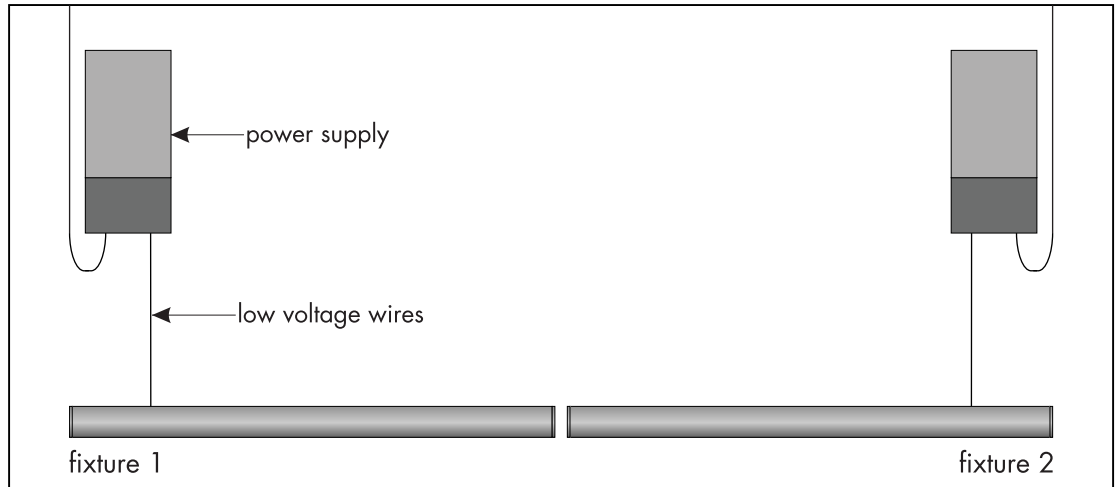
3 / 3

Please read all instructions prior to installation and keep for future reference!

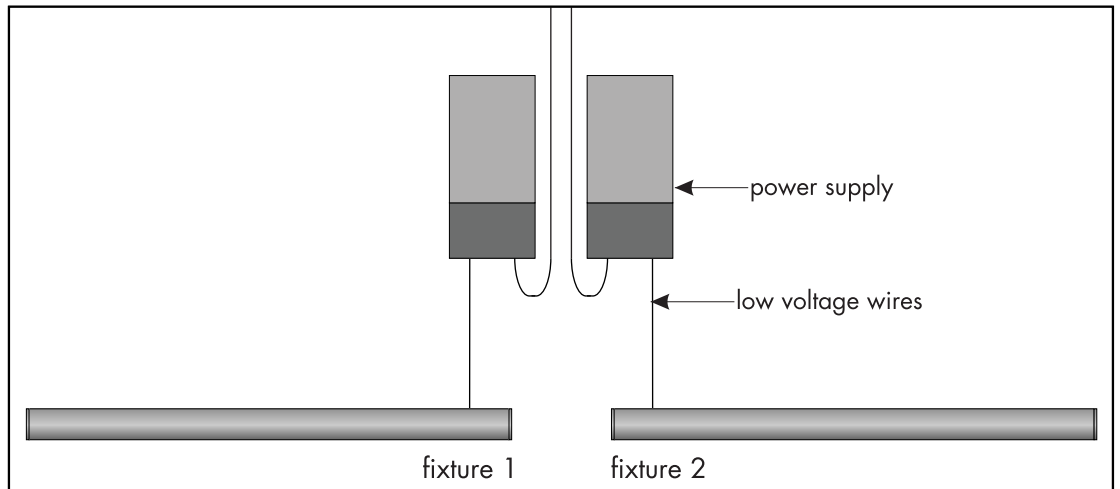
1. PRODUCT TO BE INSTALLED BY A QUALIFIED ELECTRICIAN.
2. PRIOR TO INSTALLATION ENSURE POWER IS OFF AT FUSE BOX TO PREVENT ELECTRICAL SHOCK.
3. USE ONLY WITH CLASS 2 POWER SUPPLY.
4. SUITABLE FOR WET LOCATIONS.
5. SUITABLE FOR INSTALLATION WITHIN THE CLOSET STORAGE SPACE WHEN USED WITH TAPE OUTPUTS 2.8W/FT OR LESS

multiple powerfeed layouts

power supplies at the end of the run



power supplies in the middle of the run



consecutive layout, NOT RECOMMENDED

