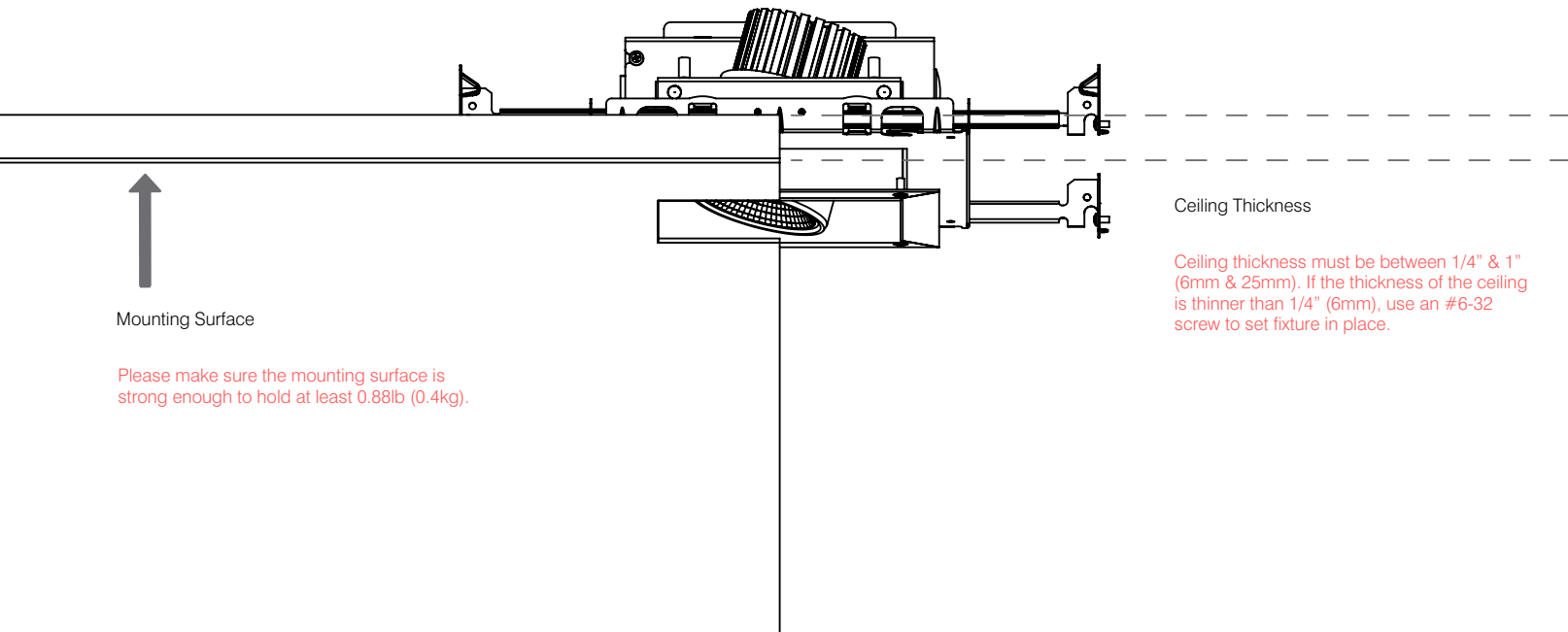


LETO 21 Single

Overview



Read and follow these instructions before installing or maintaining this product

- This product is suitable for **DRY INDOOR LOCATIONS ONLY**
- Make sure this product is **NOT** on the same circuit as inductive loads, (e.g. fluorescent bulbs, discharge bulbs, ventilation fans, etc...)
- Allow air to flow freely around the fixture
- Do not switch on line voltage until all wiring is complete
- Incorrect wiring will result in irreparable damage to LED and power supply
- This product should only be installed by a licensed electrician

Veillez lire et suivre ces instructions avant l'installation ou l'entretien de ce produit

- Ce produit convient pour une installation **DANS UN ENDROIT SEC SEULEMENT**
- Assurer vous que des charges inductives ne se retrouvent pas sur le même circuit que ce produit, (i.e. fluorescent, ampoules à décharge, ventilateurs, etc...)
- Permettre à l'air de circuler librement autour du luminaire
- Compléter les branchements avant de mettre sous tension
- Un branchement incorrect créerait des dommages irréparables à l'alimentation et au DEL
- Ce produit devrait être uniquement installé par un électricien qualifié



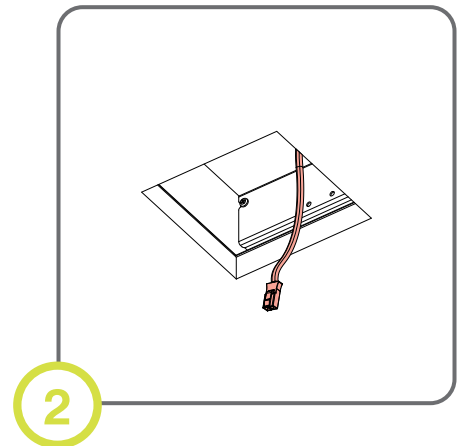
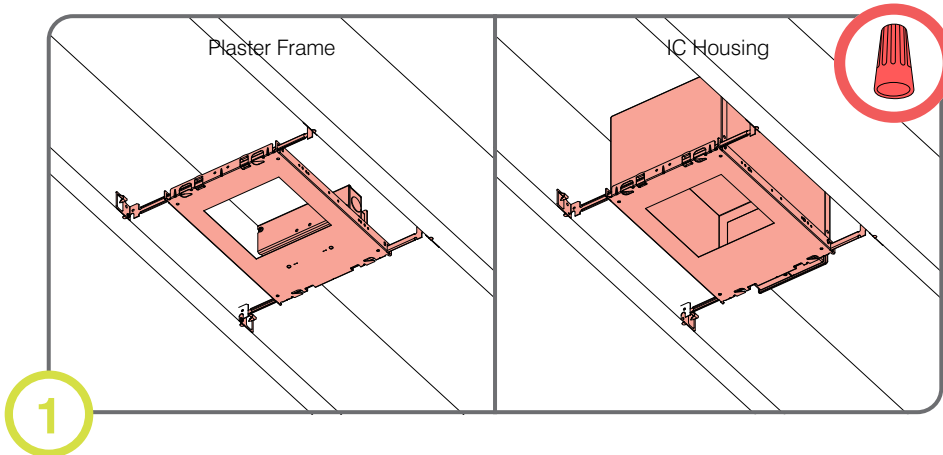
Warranty

- This product must be installed in accordance with all applicable installation codes and ordinance
- Limited five (5) years warranty
- Warranty is void in the eventuality of unauthorized modifications and/or improper use

Garantie

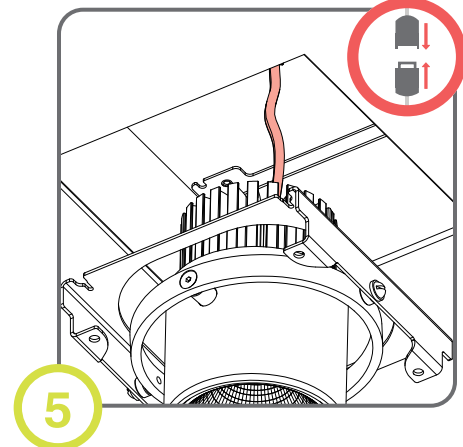
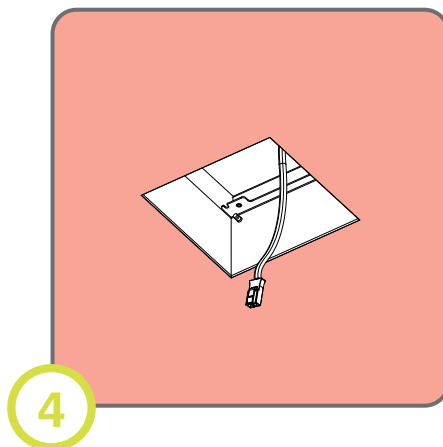
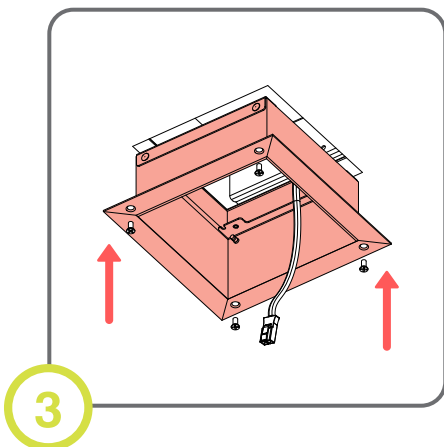
- Ce produit doit être installé conformément au code d'installation et autres normes applicables
- Garantie limitée de cinq (5) ans
- La garantie est non valide advenant une modification non autorisée ou un usage non approprié

LETO 21 Single



1 Install appropriate housing between ceiling joists. Connect the driver to the line voltage and ground to enclosure.

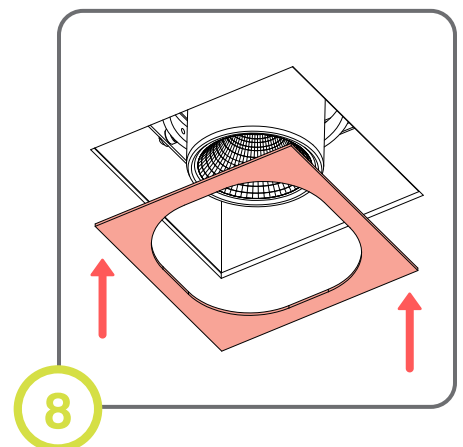
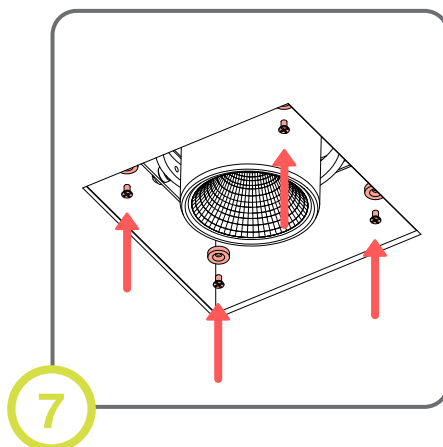
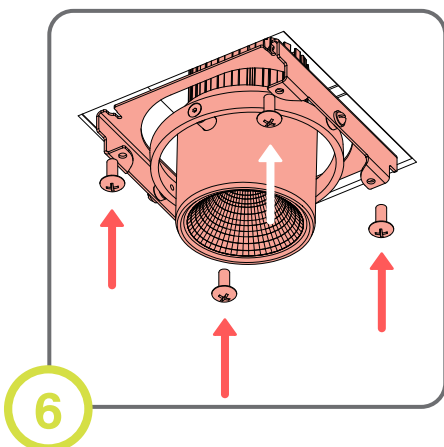
2 Install ceiling. Make sure hole is cut to appropriate size and location.



3 Insert Spackle trim and secure in place with #6 drywall screws.

4 Mud over trim and finish ceiling installation.

5 Ensure power is off. Lower quick connect wire from ceiling and connect to fixture until you hear a click.

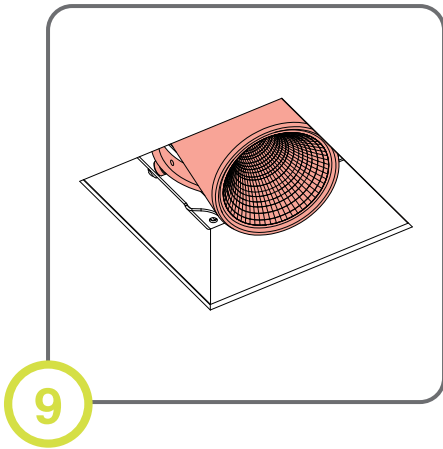


6 Insert fixture assembly into spackle trim. Secure in place at each corner with screws

7 Screw magnets in place on the fixture brackets.

8 Raise trim plate up until it is held in place by magnets.

LETO 21 Single



Adjust head to desired angle.

LETO 21 Single



Do not scale this when printing this template.
Ne l'augmentez pas lorsque vous imprimez ce modèle.

