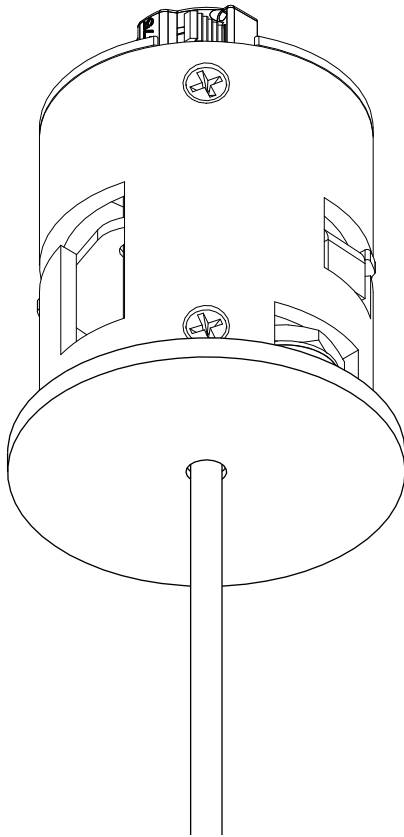


LETO 11 Mini P

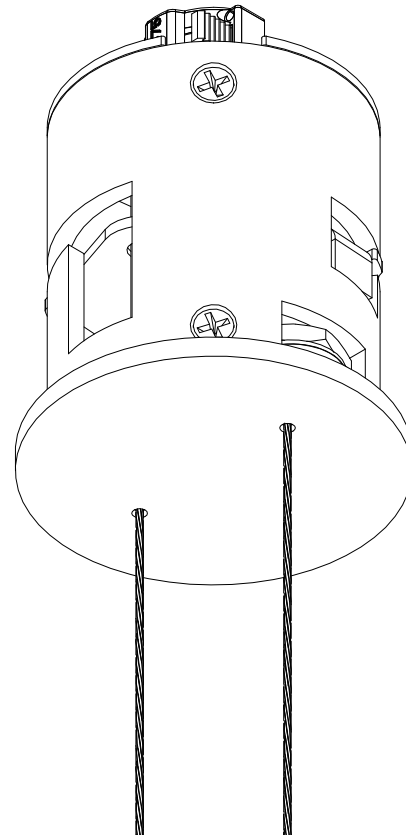
SEMI-RECESSED CANOPY

 **senso**
by luminii

Feed Suspended
AC P2 / DC P3



Powered Aircraft
AC P4 / DC P5



For powered aircraft height adjustment, see **P6**



Read and follow these instructions before installing or maintaining this product

- This product is suitable for **DRY INDOOR LOCATIONS ONLY**
- Make sure this product is **NOT** on the same circuit as inductive loads, (e.g. fluorescent bulbs, discharge bulbs, ventilation fans, etc...)
- Do not switch on line voltage until all wiring is complete
- Incorrect wiring will result in irreparable damage to LED and power supply
- This product should only be installed by a licensed electrician

Veillez lire et suivre ces instructions avant l'installation ou l'entretien de ce produit

- Ce produit convient pour une installation **DANS UN ENDROIT SEC SEULEMENT**
- Assurer vous que des charges inductives ne se retrouvent pas sur le même circuit que ce produit, (i.e. fluorescent, ampoules à décharge, ventilateurs, etc...)
- Compléter les branchements avant de mettre sous tension
- Un branchement incorrect créerait des dommages irréparables à l'alimentation et au DEL
- Ce produit devrait être uniquement installé par un électricien qualifié



Warranty

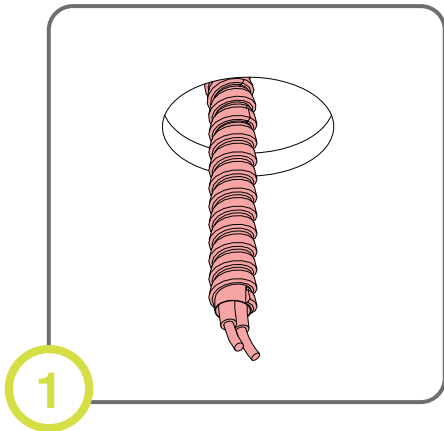
- This product must be installed in accordance with all applicable installation codes and ordinance
- Limited five (5) years warranty
- Warranty is void in the eventuality of unauthorized modifications and/or improper use

Garantie

- Ce produit doit être installé conformément au code d'installation et autres normes applicables
- Garantie limitée de cinq (5) ans
- La garantie est non valide advenant une modification non autorisée ou un usage non approprié

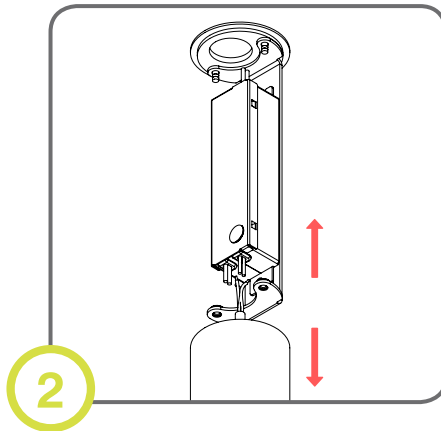
LETO 11 Mini P

Pendant: Single Feed Cable (AC Connection)



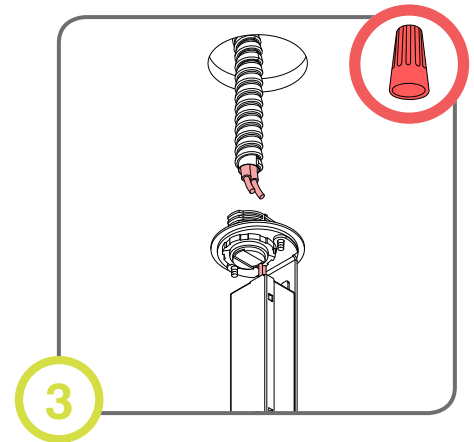
1

Finish ceiling installation. Make sure hole is cut to appropriate size and location. **54mm (2.125")**



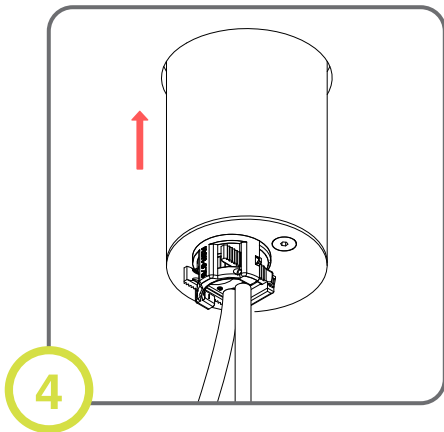
2

Disassemble driver housing to expose the driver.



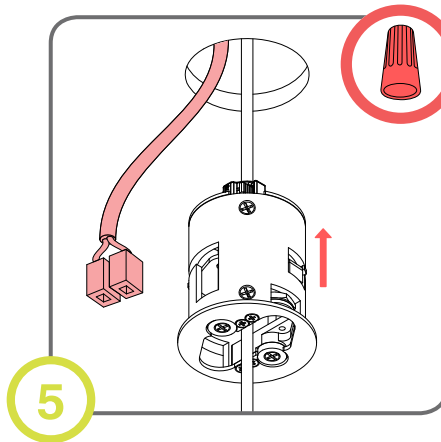
3

Make electrical connections and use appropriate strain relief.



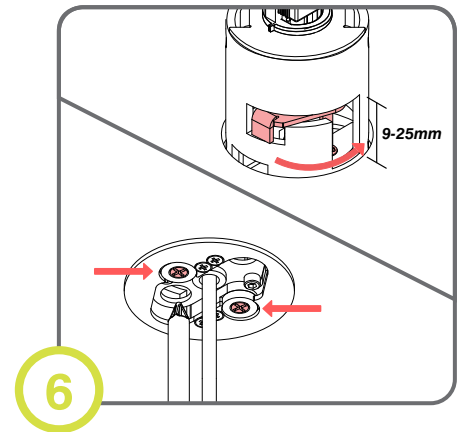
4

Reassemble housing and insert into ceiling. Push aside to leave room for canopy.



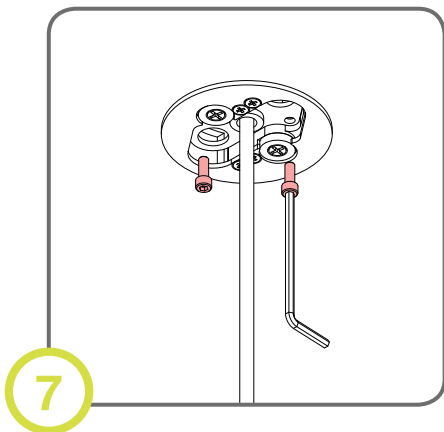
5

Connect dimming controls to included cable clamps. Insert wires and canopy into ceiling.



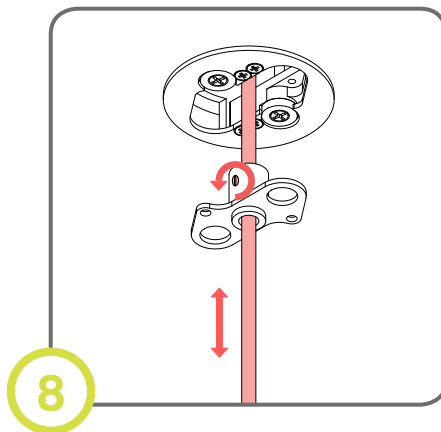
6

Turn screws until housing is secured in place (arms will rotate and clamp down on ceiling)



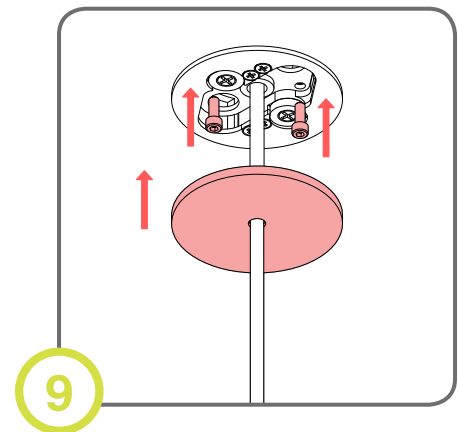
7

Unscrew gripper plate and separate from canopy.



8

Loosen set screw and adjust cable to desired height. Cut and reconnect wire if needed.

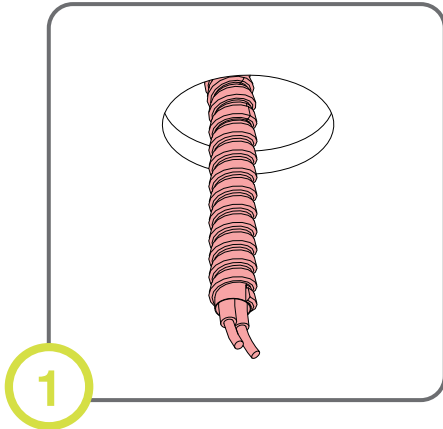


9

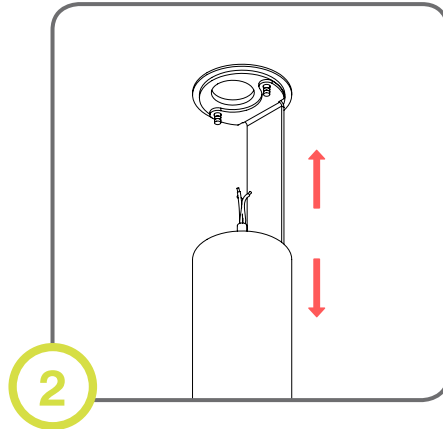
Re-attach gripper to canopy and slide trim plate up until held in place by magnets.

LETO 11 Mini P

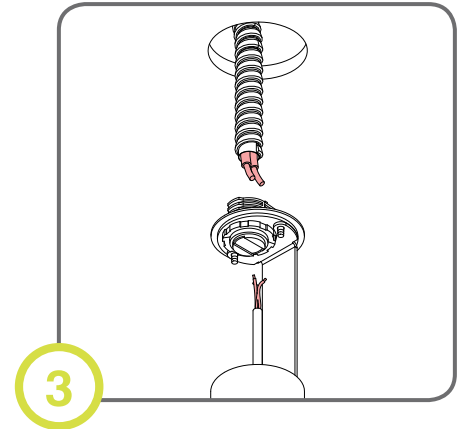
Pendant: Single Feed Cable (Remote DC Connection)



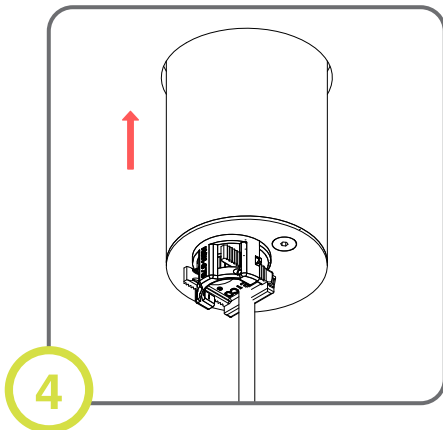
1 Finish ceiling installation. Make sure hole is cut to appropriate size and location. **54mm (2.125")**



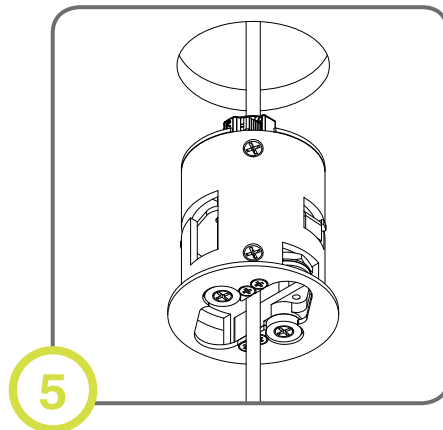
2 Disassemble driver housing to expose fixture wiring. Cylinder housing is used as DC junction box.



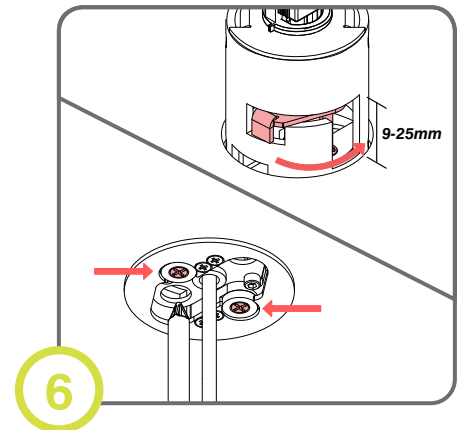
3 Make electrical connections and use appropriate strain relief.



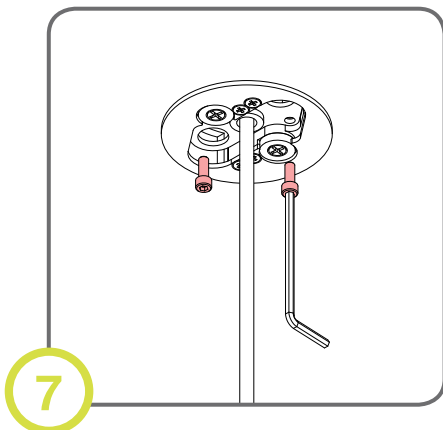
4 Reassemble housing and insert into ceiling. Push aside to leave room for canopy.



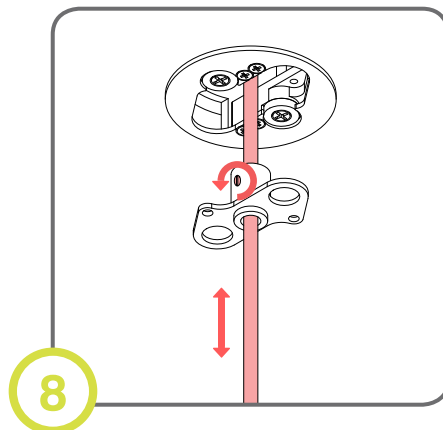
5 Insert canopy into ceiling.



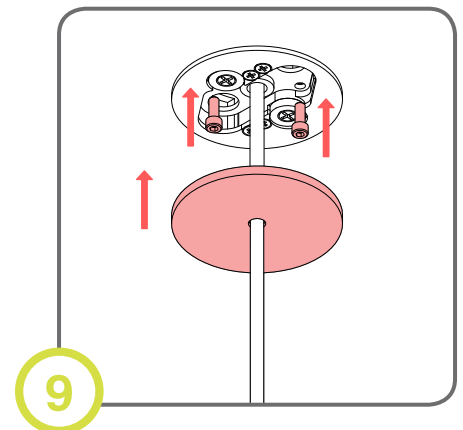
6 Turn screws until housing is secured in place (arms will extend and clamp down on ceiling)



7 Unscrew gripper plate and separate from canopy.



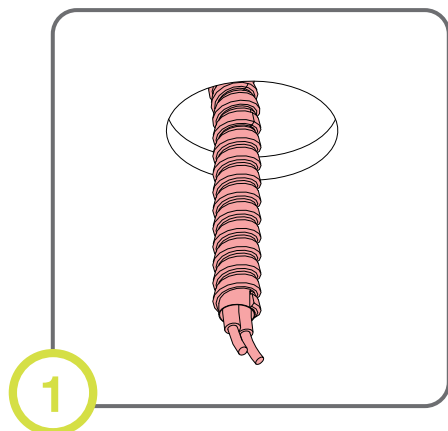
8 Loosen set screw and adjust cable to desired height. Cut and reconnect wire if needed.



9 Re-attach gripper to canopy and slide trim plate up until held in place by magnets.

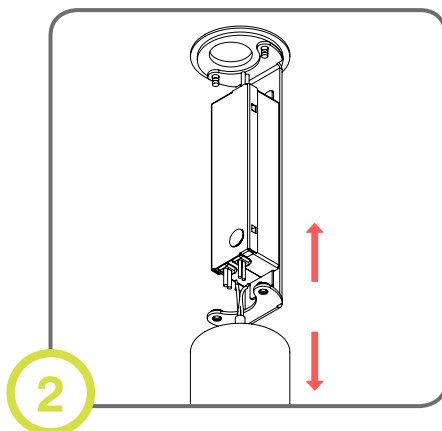
LETO 11 Mini P

Pendant: Powered Aircraft Cable (AC Connection)



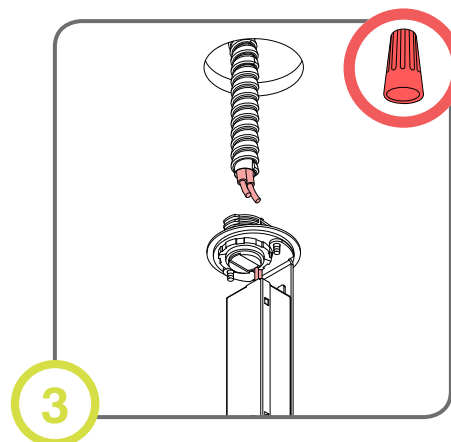
1

Finish ceiling installation. Make sure hole is cut to appropriate size and location. **54mm (2.125")**



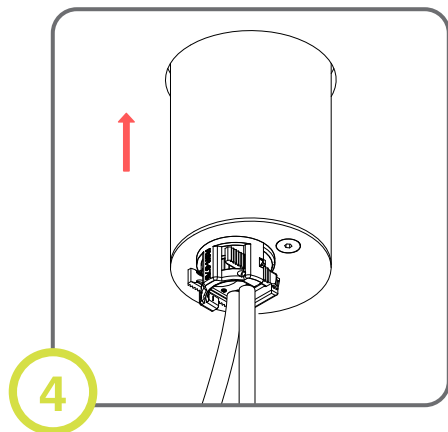
2

Disassemble driver housing to expose the driver.



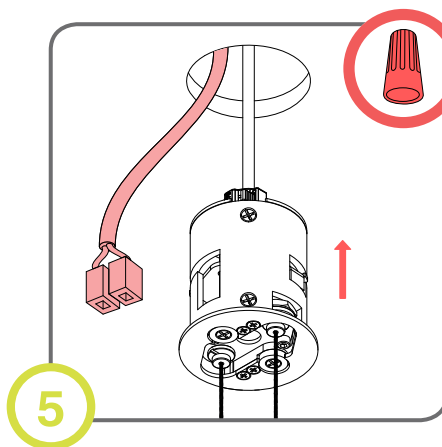
3

Make electrical connections and use appropriate strain relief.



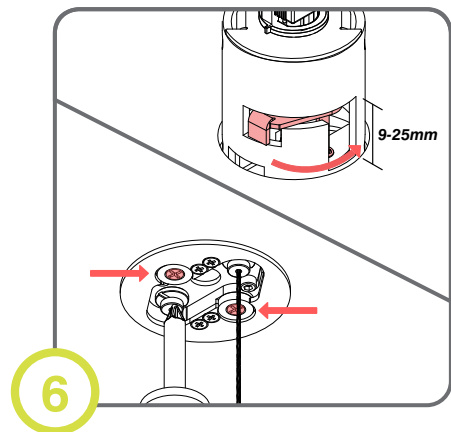
4

Reassemble housing and insert into ceiling. Push aside to leave room for canopy.



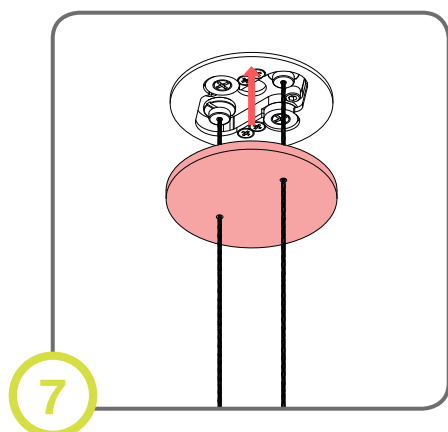
5

Connect dimming controls to included cable clamps. Insert wires and canopy into ceiling.



6

Turn screws until housing is secured in place (arms will extend and clamp down on ceiling)

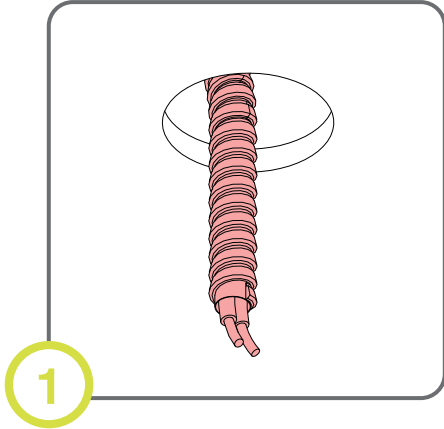


7

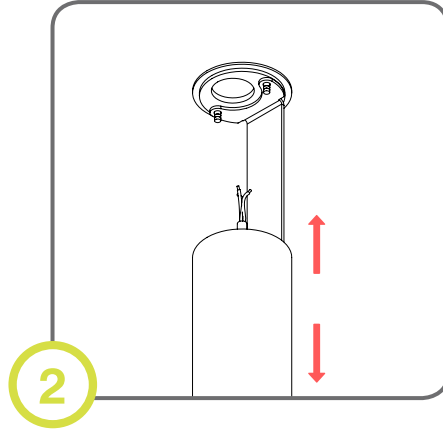
Slide trim plate up until held in place by magnets.

LETO 11 Mini P

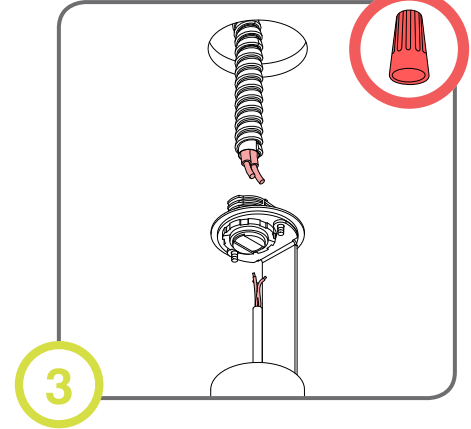
Pendant: Powered Aircraft Cable (Remote DC Connection)



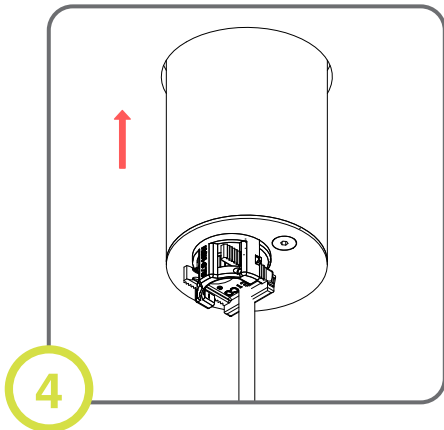
1 Finish ceiling installation. Make sure hole is cut to appropriate size and location. **54mm (2.125")**



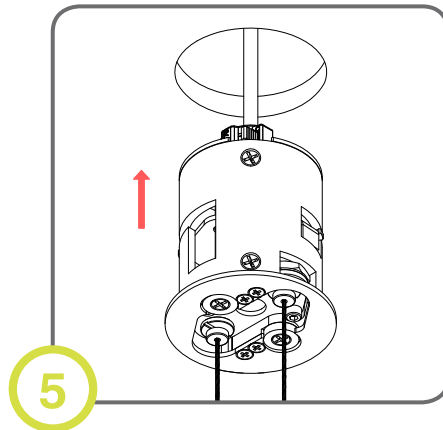
2 Disassemble driver housing to expose fixture wiring. Cylinder housing is used as DC junction box.



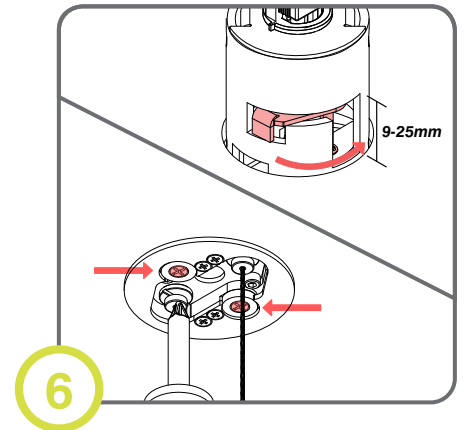
3 Make electrical connections and use appropriate strain relief.



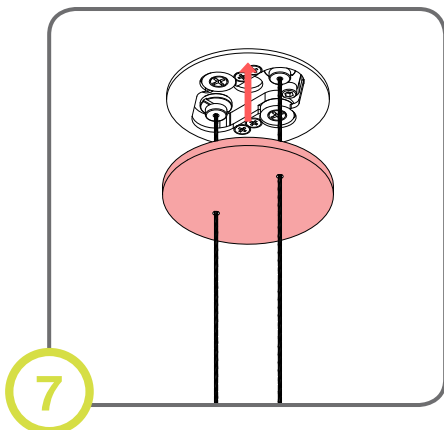
4 Reassemble housing and insert into ceiling. Push aside to leave room for canopy.



5 Insert canopy into ceiling.



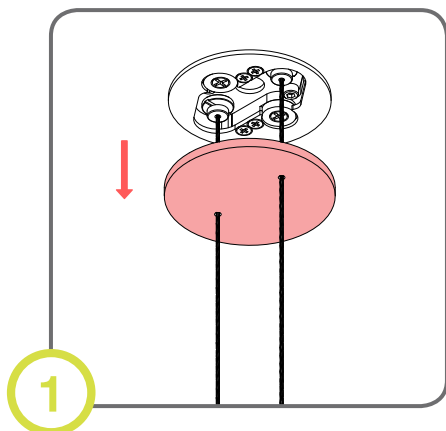
6 Turn screws until housing is secured in place (arms will extend and clamp down on ceiling)



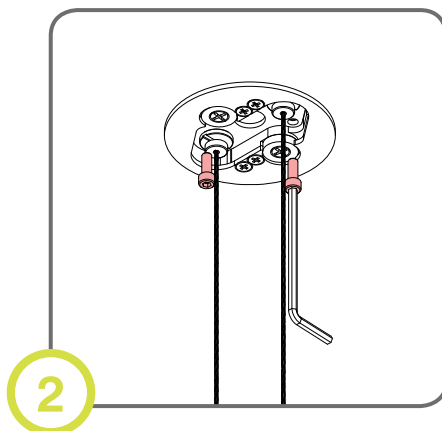
7 Slide trim plate up until held in place by magnets.

LETO 11 Mini P

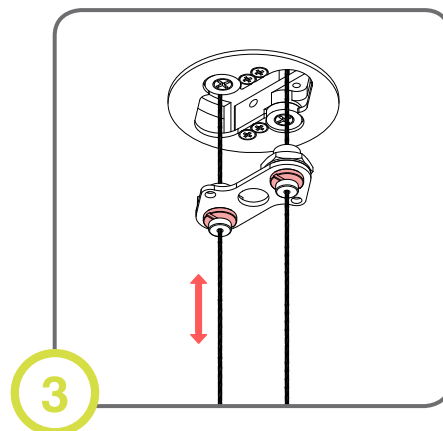
Height Adjustment: Powered Aircraft Cable



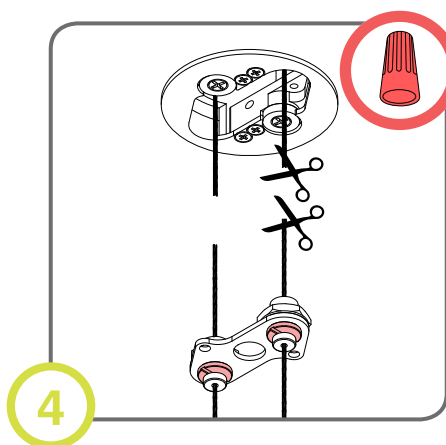
1 Remove trim plate from the canopy



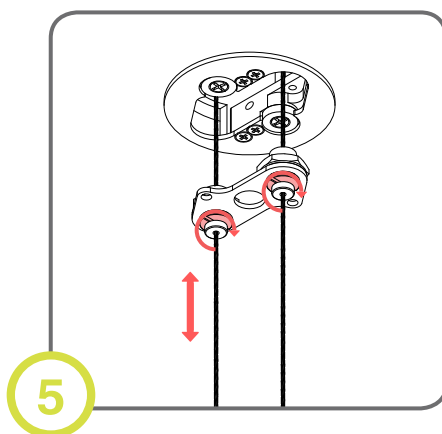
2 Unscrew gripper plate separate from canopy.



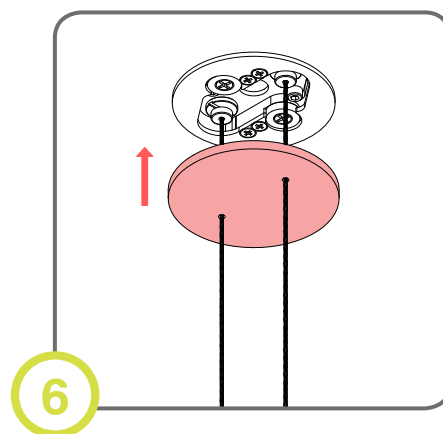
3 Loosen set screw and adjust cable to desired height.



4 Cut excess cable leaving ~3" above gripper. Make electrical connections using appropriate hardware.



5 If cables develop a twist, loosen set screw and cycle cable through the gripper 4-5 times.



6 Tighten screws, re-attach gripper plate to canopy and slide trim plate up until held in place by magnets.