

ALS20 Channel - Installation Instructions

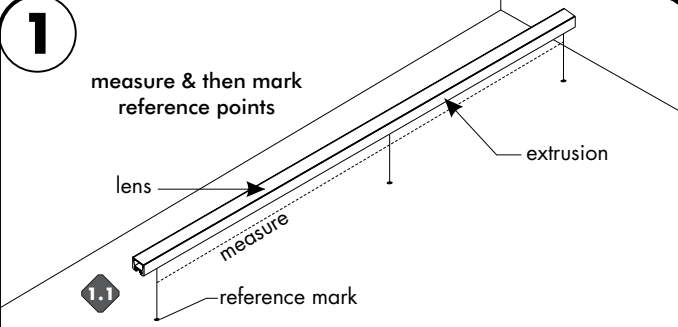
Please read all instructions prior to installation and keep for future reference!

1. Product to be installed by a qualified electrician.
2. Prior to installation ensure power is off at fuse box to prevent electrical shock.

T 224.333.6033
www.opticarts.com

Page 1 of 1

1 measure & then mark reference points

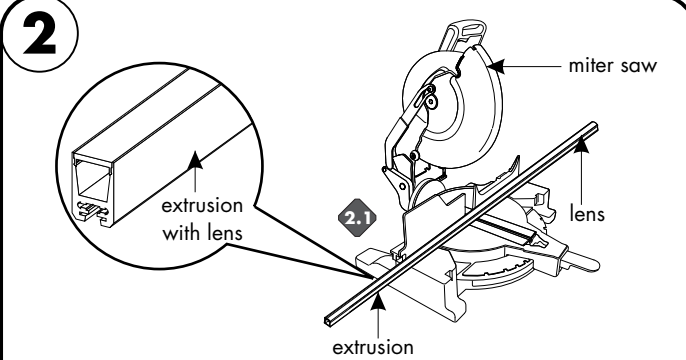


lens
extrusion
measure
reference mark

Note: Complete fixture must be built prior to installing, to properly make all necessary reference marks & to ensure all parts are included. Then it can be taken apart for installation.

1.1 Snap lens into the extrusion, then align & center the extrusion to the determined location. Make all necessary markings to install to the surface. Prior to installation of extrusion 24VDC power must be present.

2

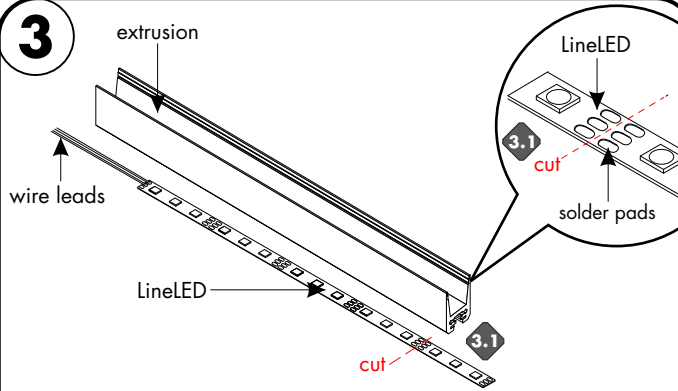


miter saw
extrusion with lens
lens
extrusion

Caution: Safety equipment is recommended, when modifications are being made to the extrusion & lens.

2.1 If necessary extrusion with the lens installed can be cut in the field. Use the proper blade for aluminum, and then cut to the desired length.

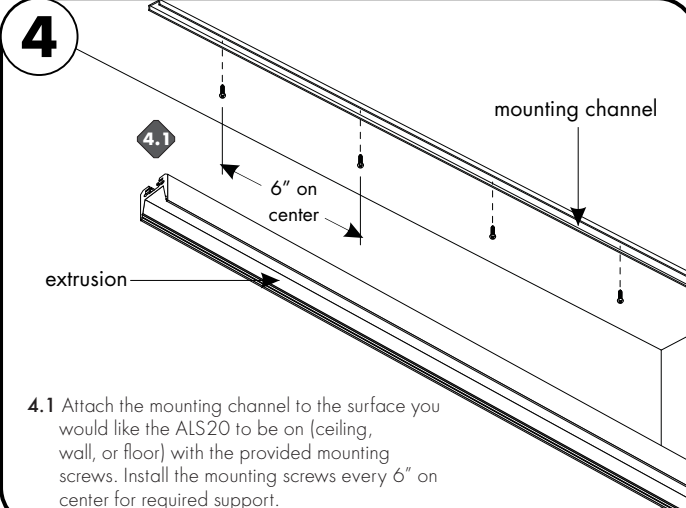
3



extrusion
wire leads
LineLED
cut
solder pads
LineLED
cut

3.1 LineLED can be shortened by cutting along the dashed lines in between the solder pads. Make sure the cut is made on the side of the lineLED without the wire leads. LineLED cannot touch the metal endcap which will shorten the circuit.

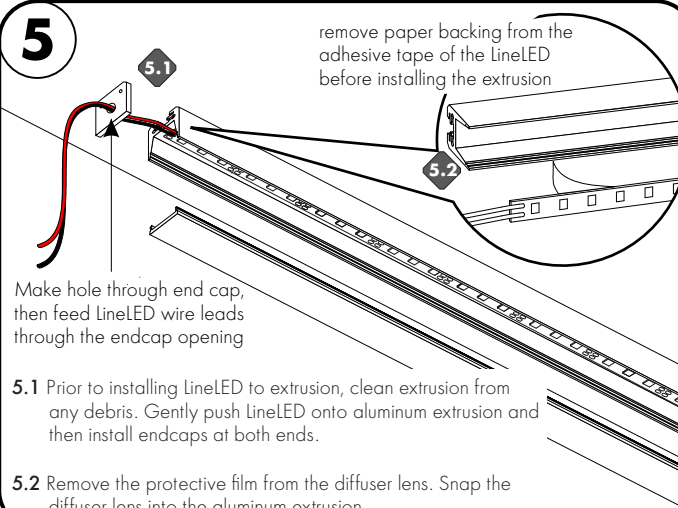
4



mounting channel
6" on center
extrusion

4.1 Attach the mounting channel to the surface you would like the ALS20 to be on (ceiling, wall, or floor) with the provided mounting screws. Install the mounting screws every 6" on center for required support.

5



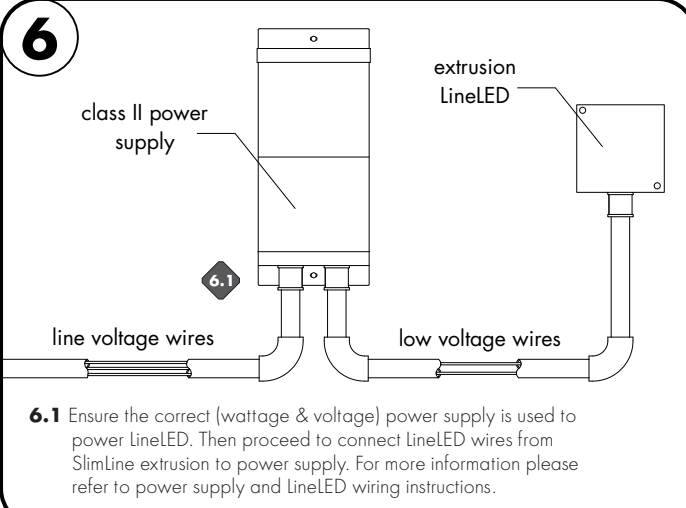
remove paper backing from the adhesive tape of the lineLED before installing the extrusion

Make hole through end cap, then feed LineLED wire leads through the endcap opening

5.1 Prior to installing LineLED to extrusion, clean extrusion from any debris. Gently push LineLED onto aluminum extrusion and then install endcaps at both ends.

5.2 Remove the protective film from the diffuser lens. Snap the diffuser lens into the aluminum extrusion.

6



class II power supply
extrusion LineLED
line voltage wires
low voltage wires

6.1 Ensure the correct (wattage & voltage) power supply is used to power LineLED. Then proceed to connect LineLED wires from SlimLine extrusion to power supply. For more information please refer to power supply and LineLED wiring instructions.