

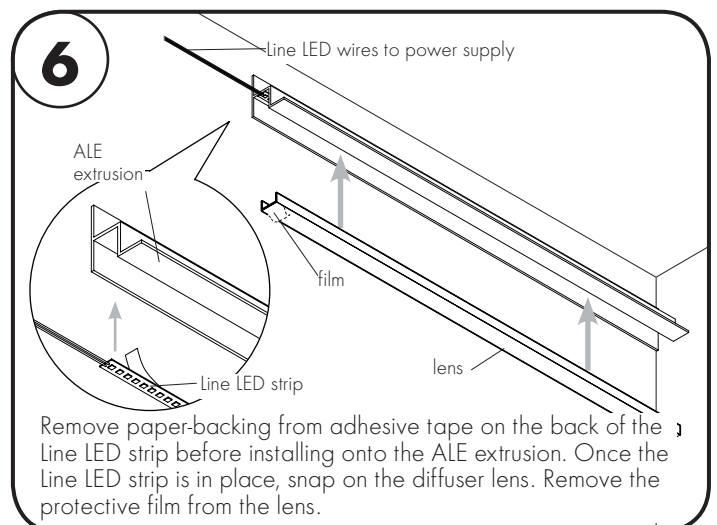
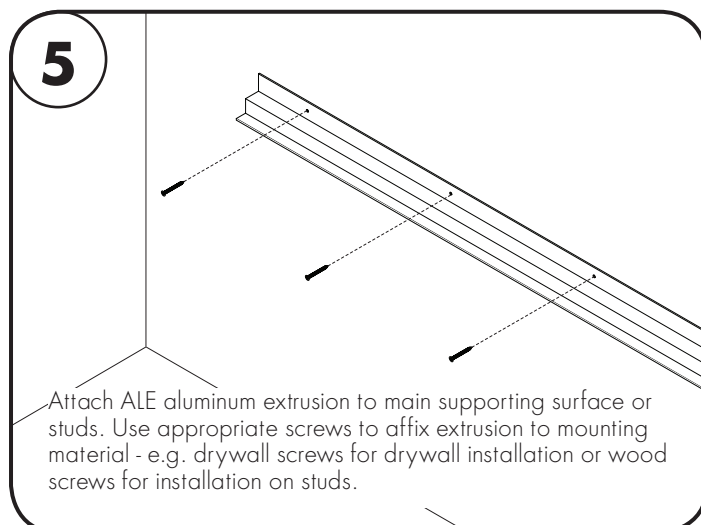
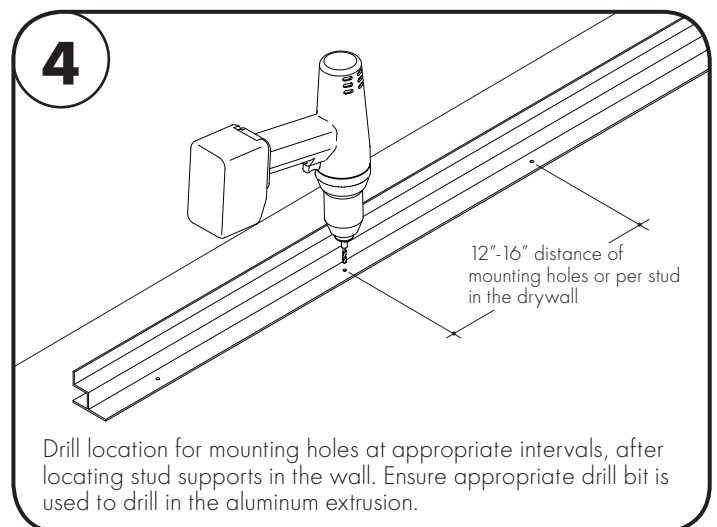
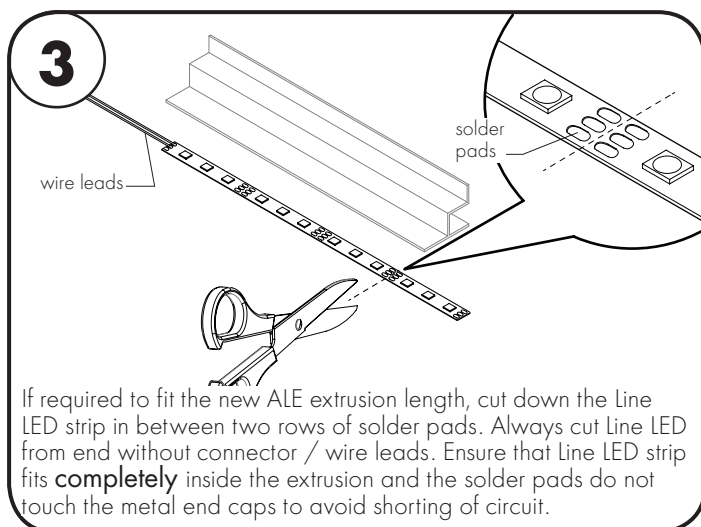
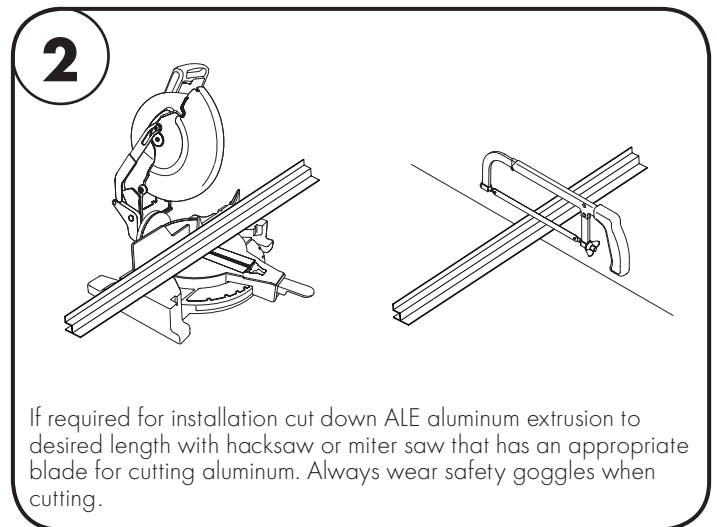
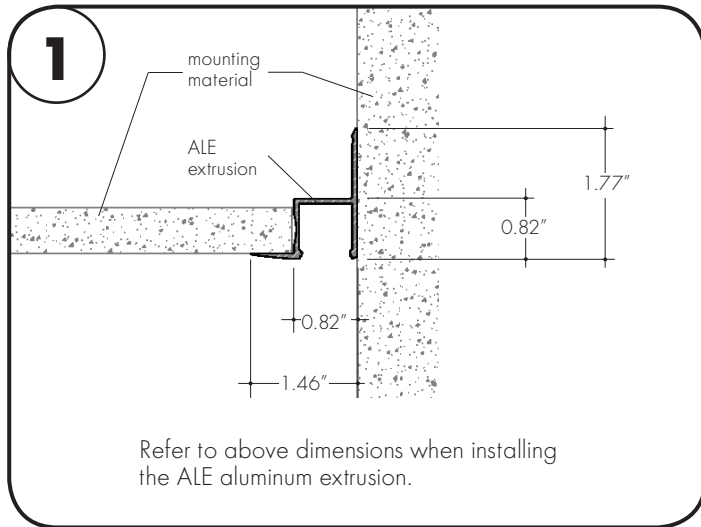
# ALE Channel - Installation Instructions

**Please read all instructions prior to installation and keep for future reference!**

T 224.333.6033  
www.opticarts.com

1. Product should be installed by a qualified electrician.
2. Prior to installation ensure power is off at fuse box to prevent electrical shock.

Page 1 of 2



**Please read all instructions prior to installation and keep for future reference!**

T 224.333.6033  
www.opticarts.com

1. Product should be installed by a qualified electrician.
2. Prior to installation ensure power is off at fuse box to prevent electrical shock.

Page 2 of 2

