

Stenos Installation Instructions

Suspended Track

Please read all instructions prior to installation and keep for future reference!

1. Product to be installed by a qualified electrician
2. Use only with class 2 power unit
3. 24 Volts DC
4. Suitable for dry locations only
5. 96W max, 24ft max, and 3 Electrical Joiners max per power feed.
6. Mechanical Joiners and End Cap isolate power circuits. Electrical Joiners are used to continue power down the track.
7. System shapes and power feed locations shown are for reference only. Refer to custom drawing package for the particulars of a specific custom system.



REVO.6
09122023

1 / 22



7777 Merrimac Ave
Niles, IL 60714
T 224.333.6033
F 224.757.7557
info@luminii.com
www.luminii.com

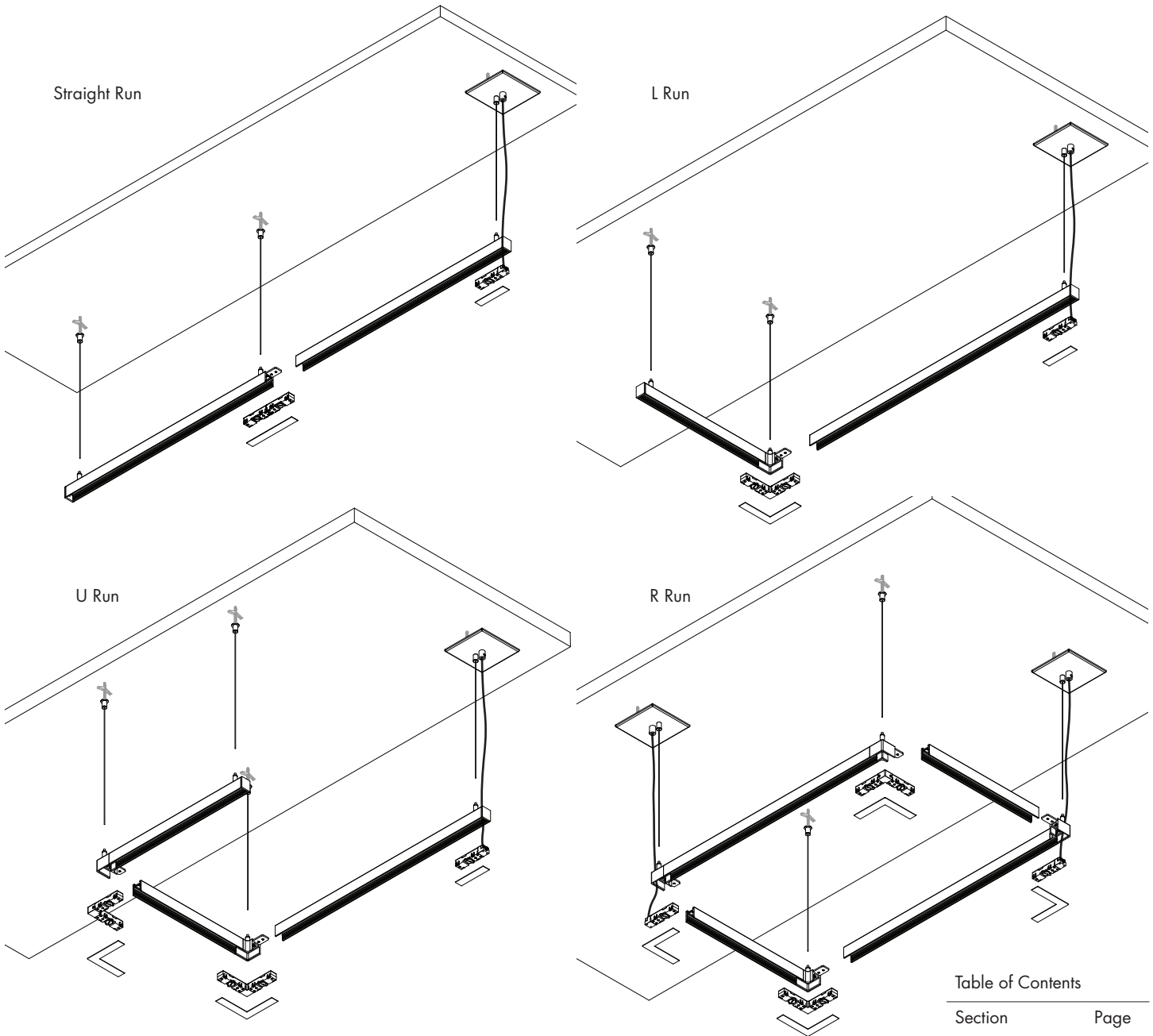


Table of Contents

Section	Page
Straight Run	3
L Shape	8
U Shape	13
R Shape	18



IMPORTANT SAFETY INSTRUCTIONS!

WHEN INSTALLING OR USING THIS TRACK SYSTEM, BASIC SAFETY PRECAUTIONS SHOULD ALWAYS BE FOLLOWED, INCLUDING:

- A. READ ALL INSTRUCTIONS.
- B. DO NOT INSTALL THIS TRACK IN DAMP OR WET LOCATIONS.
- C. DO NOT INSTALL ANY PART OF THE TRACK SYSTEM LESS THAN 5 FEET ABOVE THE FLOOR.
- D. DO NOT INSTALL ANY LUMINAIRE ASSEMBLY CLOSER THAN 6 INCHES FROM ANY CURTAIN, OR SIMILAR COMBUSTIBLE MATERIAL.
- E. DISCONNECT ELECTRICAL POWER BEFORE ADDING TO OR CHANGING THE CONFIGURATION OF THE TRACK.
- F. DO NOT ATTEMPT TO ENERGIZE ANYTHING OTHER THAN LIGHTING TRACK LUMINAIRES ON THE TRACK. TO REDUCE THE RISK OF FIRE AND ELECTRIC SHOCK, DO NOT ATTEMPT TO CONNECT POWER TOOLS, EXTENSION CORDS, APPLIANCES, AND THE LIKE TO THE TRACK.

Stenos Installation Instructions

Suspended Track



7777 Merrimac Ave
Niles, IL 60714
T 224.333.6033
F 224.757.7557
info@luminii.com
www.luminii.com

Please read all instructions prior to installation and keep for future reference!

- Product to be installed by a qualified electrician
- Use only with class 2 power unit
- 24 Volts DC
- Suitable for dry locations only
- 96W max, 24ft max, and 3 Electrical Joiners max per power feed.
- Mechanical Joiners and End Cap isolate power circuits. Electrical Joiners are used to continue power down the track.
- System shapes and power feed locations shown are for reference only. Refer to custom drawing package for the particulars of a specific custom system.

REVO.6
09122023
2 / 22

Mounting Preparations

1

Note: Prior to installation all 24VDC wires must be present in junction box. Refer to the power supply installation instruction for additional information.

Note: More than one person is recommended for this installation.

1.1 Refer to approved **Custom Layout Drawing** by Luminii for A/C cable mounting points. Mark these mounting points on the ceiling in preparation for cable coupler and canopy installation.

1.2

Note: If not using the supplied toggle anchor, and installing to a hollow ceiling or concrete, must use a #6 screw size anchor, that must be rated for a minimum of 30lbs.

1.2 If using the supplied toggle anchor, drill a 3/8" hole at all marked locations.

1.3 Feed the screw through the cap, washer, and toggle anchor and properly secure into place. Repeat for all remaining mounting points.

1.4 If securing to a solid surface or into framing, feed the screw (not provided) through the cap and washer, and secure directly into the surface. Repeat for all remaining mounting points.

1

1.4 Route A/C cable through cap cover and thread cap cover into cap.

Stenos Installation Instructions

Suspended Track

Please read all instructions prior to installation and keep for future reference!

1. Product to be installed by a qualified electrician
2. Use only with class 2 power unit
3. 24 Volts DC
4. Suitable for dry locations only
5. 96W max, 24ft max, and 3 Electrical Joiners max per power feed.
6. Mechanical Joiners and End Cap isolate power circuits. Electrical Joiners are used to continue power down the track.
7. System shapes and power feed locations shown are for reference only. Refer to custom drawing package for the particulars of a specific custom system.



REVO.6
09122023

3 / 22

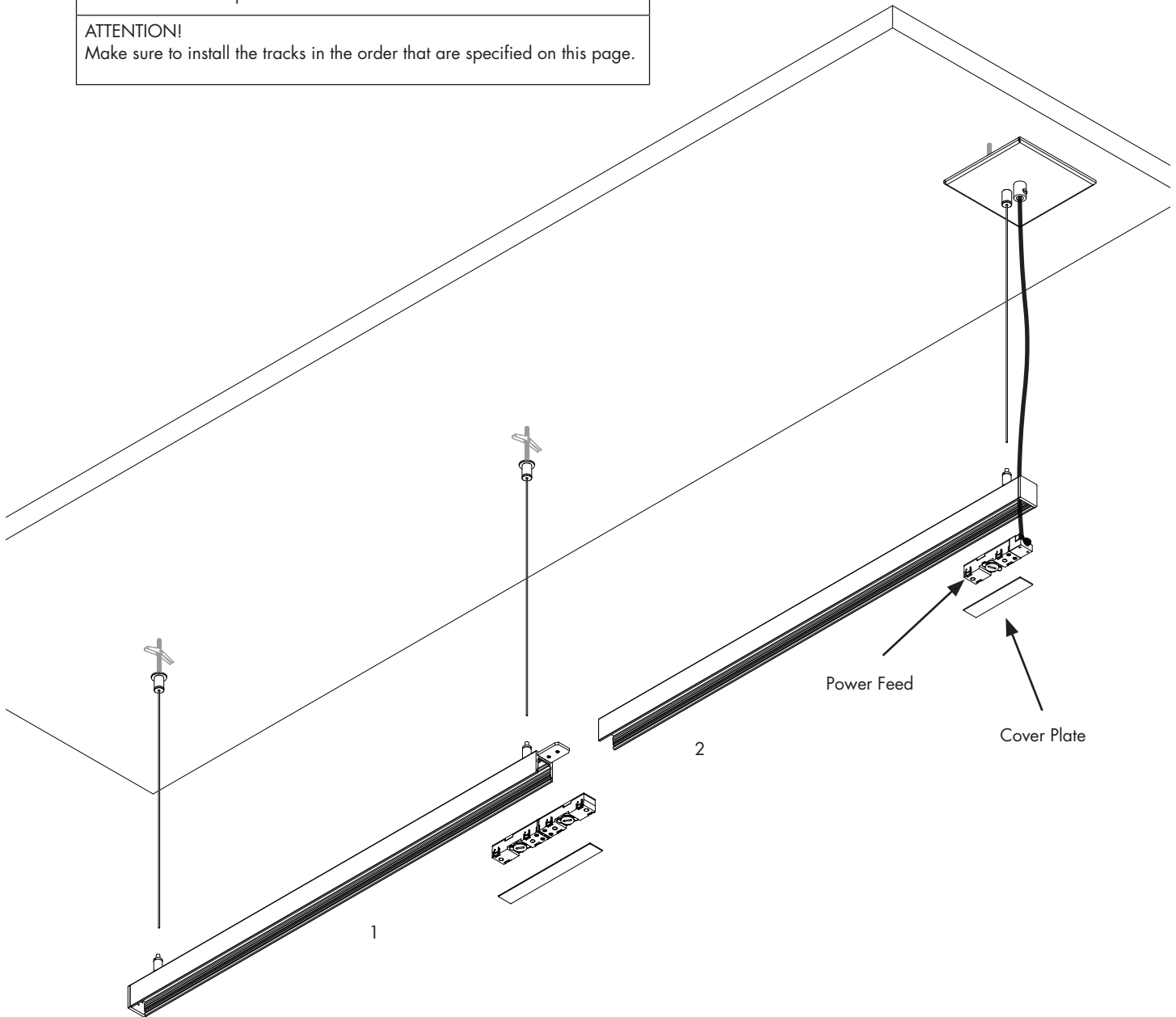


7777 Merrimac Ave
Niles, IL 60714
T 224.333.6033
F 224.757.7557
info@luminii.com
www.luminii.com

Suspended Track – Straight Run

Track Installation Sequence

ATTENTION!
Make sure to install the tracks in the order that are specified on this page.



Stenos Installation Instructions

Suspended Track

Please read all instructions prior to installation and keep for future reference!

1. Product to be installed by a qualified electrician
2. Use only with class 2 power unit
3. 24 Volts DC
4. Suitable for dry locations only
5. 96W max, 24ft max, and 3 Electrical Joiners max per power feed.
6. Mechanical Joiners and End Cap isolate power circuits. Electrical Joiners are used to continue power down the track.
7. System shapes and power feed locations shown are for reference only. Refer to custom drawing package for the particulars of a specific custom system.



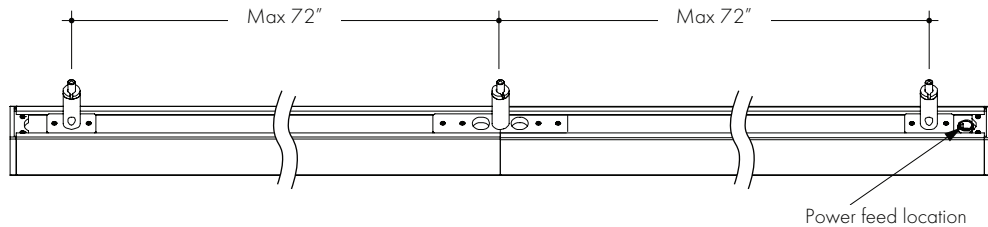
REVO.6
09122023
4 / 22



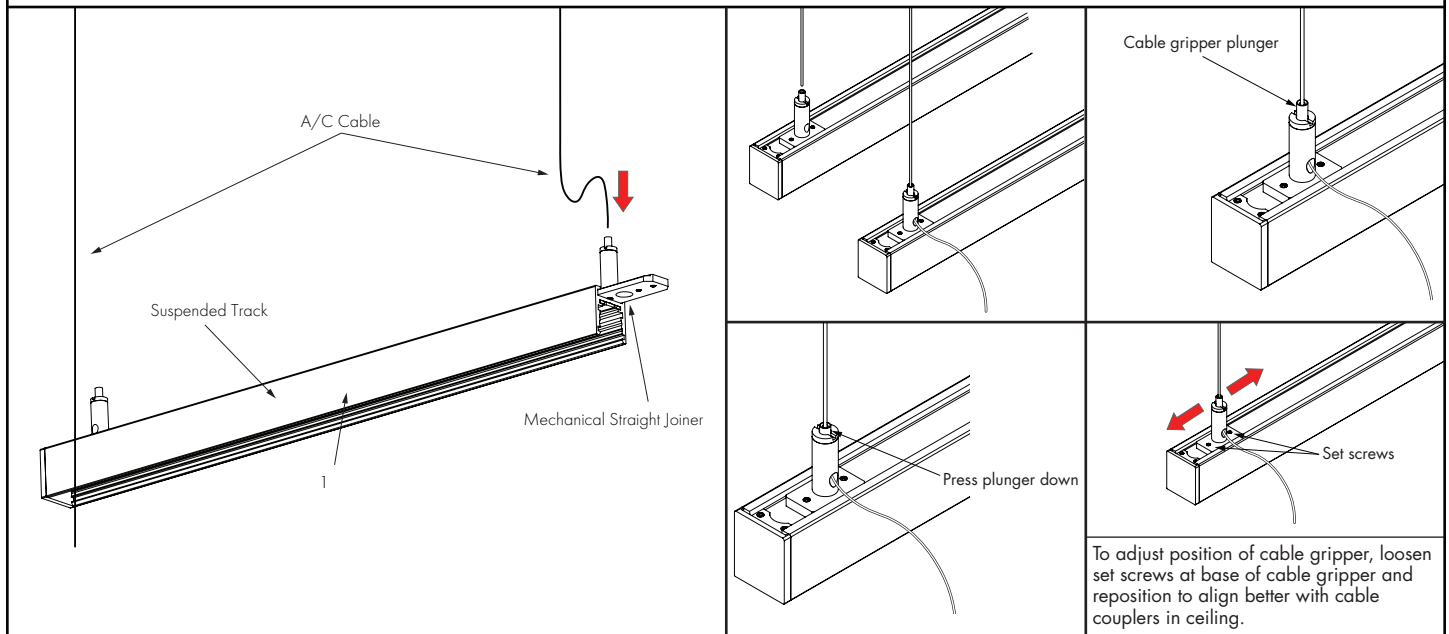
7777 Merrimac Ave
Niles, IL 60714
T 224.333.6033
F 224.757.7557
info@luminii.com
www.luminii.com

Marking location and installing mounting brackets

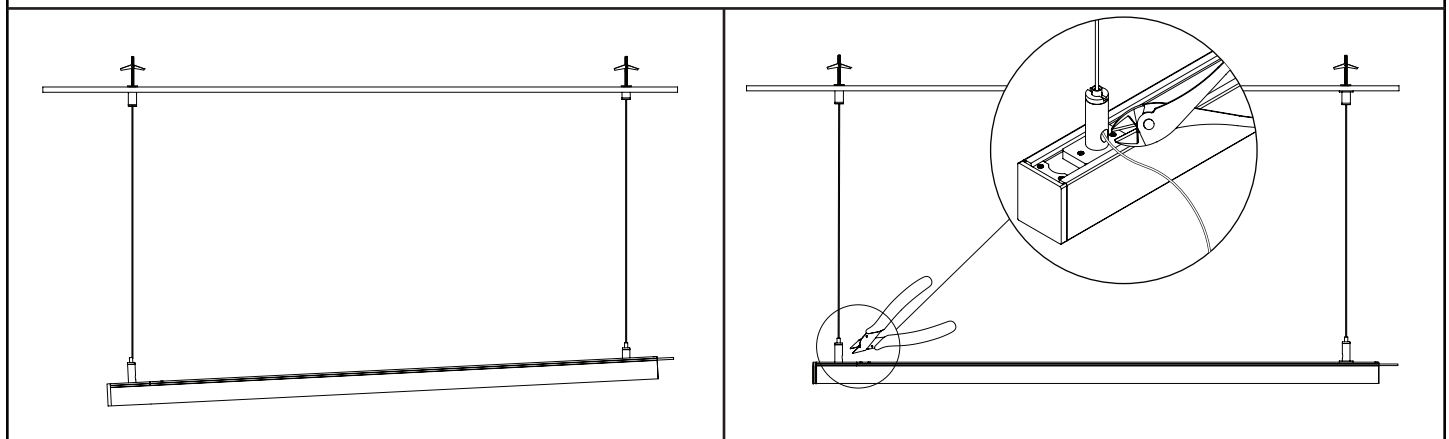
S.1



S.1 IMPORTANT! Refer to approved Custom Layout Drawing by Luminii to verify cable gripper positions on fixtures. Mark these mounting points on the ceiling in preparation for cable coupler installation per steps 1.1 - 1.5 and power feed canopy installation per steps S.7 - S.11.



S.2 Bring track section 1 up to the corresponding aircraft cable and push A/C through the cable gripper to raise the tack, to adjust vertical position, press down on cable gripper plunger.



S.3 Once the track section is leveled and at the desired height, use wire cutters to cut the excess cable from the cable grippers

Stenos Installation Instructions

Suspended Track

Please read all instructions prior to installation and keep for future reference!

1. Product to be installed by a qualified electrician
2. Use only with class 2 power unit
3. 24 Volts DC
4. Suitable for dry locations only
5. 96W max, 24ft max, and 3 Electrical Joiners max per power feed.
6. Mechanical Joiners and End Cap isolate power circuits. Electrical Joiners are used to continue power down the track.
7. System shapes and power feed locations shown are for reference only. Refer to custom drawing package for the particulars of a specific custom system.



REVO.6
09122023

5 / 22



7777 Merrimac Ave
Niles, IL 60714
T 224.333.6033
F 224.757.7557
info@luminii.com
www.luminii.com

Power Feed Installation

S.4 Route Power Feed Cable through pre-drilled hole in track.

S.5 Snap Power Feed Connector into Track. Rotate locking cam, securing Power Feed Connector to track.
Do not over-rotate locking cam.

S.6 Place magnetic Cover Plate over Power Feed Connector

Canopy Installation (steps require multiple people)

S.5 Route the power feed cable through the strain relief bushing, canopy cover, and crossbar assembly

S.6 Connect power feed cable wires, per image above, to wires from the power supply. Insert terminations into the junction box.

S.7 Align the crossbar to the junction box holes, and secure using the provided two #8-32 screws.

S.8 Slide the canopy cover up to the crossbar and secure by threading the strain relief bushing onto the crossbar assembly.

S.9 Tighten the set screw on the strain relief bushing to secure the position of the power cable. If applicable, attach A/C cable to cable coupler per step 1.5 .

Stenos Installation Instructions

Suspended Track

Please read all instructions prior to installation and keep for future reference!

1. Product to be installed by a qualified electrician
2. Use only with class 2 power unit
3. 24 Volts DC
4. Suitable for dry locations only
5. 96W max, 24ft max, and 3 Electrical Joiners max per power feed.
6. Mechanical Joiners and End Cap isolate power circuits. Electrical Joiners are used to continue power down the track.
7. System shapes and power feed locations shown are for reference only. Refer to custom drawing package for the particulars of a specific custom system.



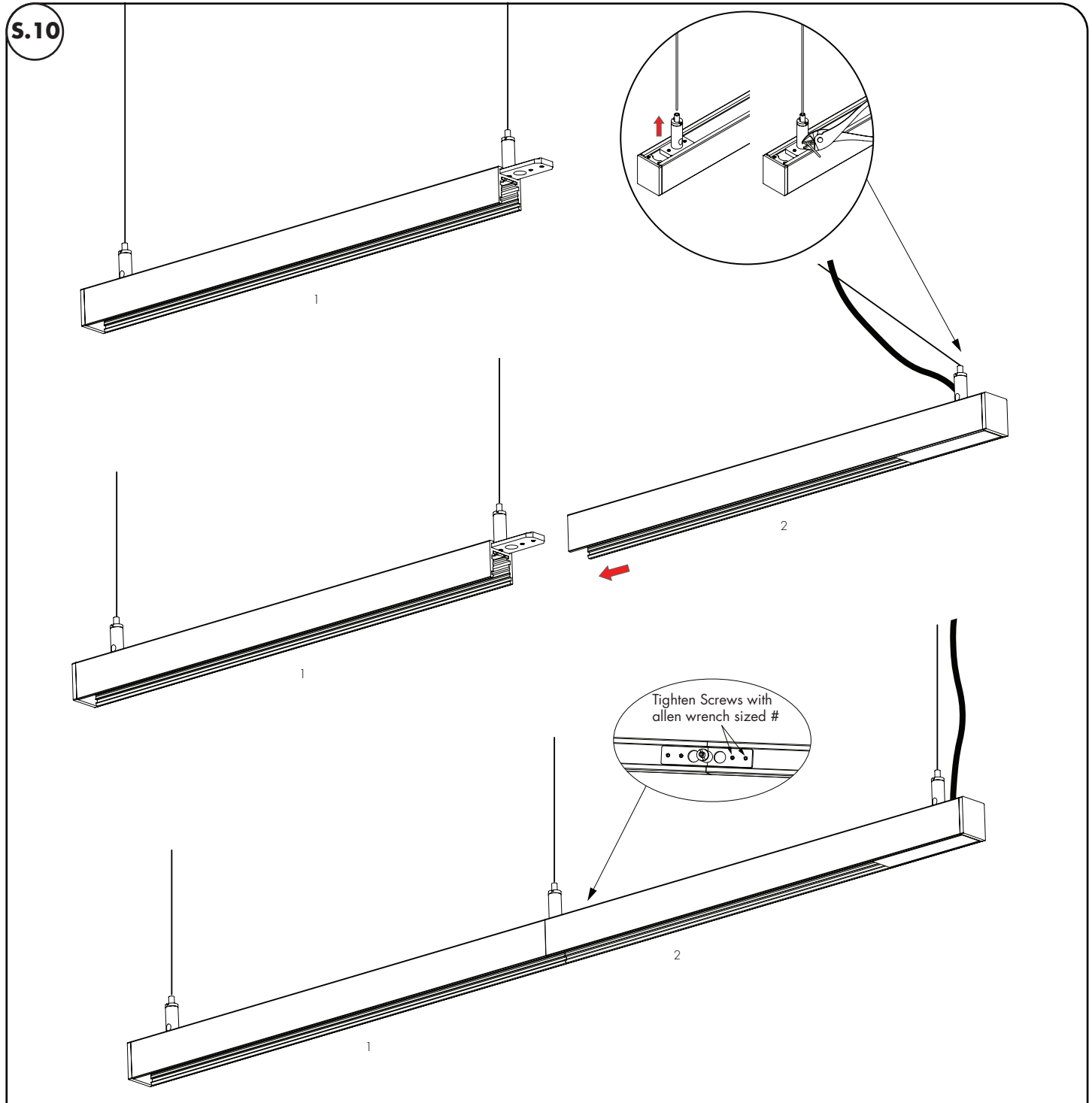
REVO.6
09122023

6 / 22



7777 Merrimac Ave
Niles, IL 60714
T 224.333.6033
F 224.757.7557
info@luminii.com
www.luminii.com

Continuous Row Mounting (if applicable)



- S.10** Connect A/C cable to cable gripper on track section 2, following step S.2.
- S.11** Slide track section 2 onto straight mechanical joiner on track section 1. Adjust position following steps S.2-S.4.
- S.12** Once the two tracks are leveled, tighten the set screws on the mechanical straight joiner to secure.

Stenos Installation Instructions

Suspended Track

Please read all instructions prior to installation and keep for future reference!

1. Product to be installed by a qualified electrician
2. Use only with class 2 power unit
3. 24 Volts DC
4. Suitable for dry locations only
5. 96W max, 24ft max, and 3 Electrical Joiners max per power feed.
6. Mechanical Joiners and End Cap isolate power circuits. Electrical Joiners are used to continue power down the track.
7. System shapes and power feed locations shown are for reference only. Refer to custom drawing package for the particulars of a specific custom system.



REVO.6
09122023

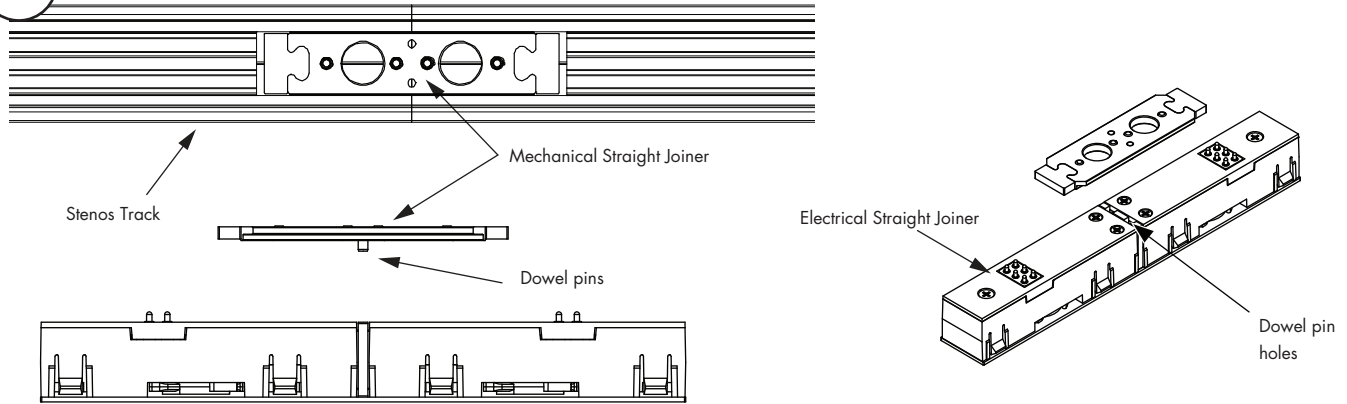
7 / 22



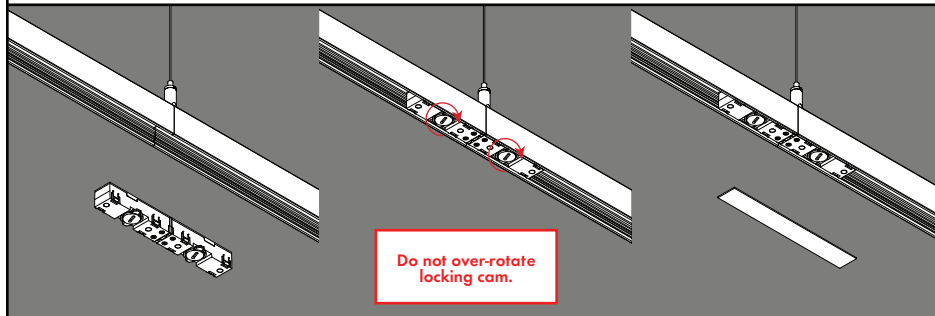
7777 Merrimac Ave
Niles, IL 60714
T 224.333.6033
F 224.757.7557
info@luminii.com
www.luminii.com

Continuous Row Mounting (if applicable)

S.13



S.13 Align Electrical Straight Joiner dowel pin holes with dowel pins of Mechanical Straight Joiner



Perform a continuity check between the track conductors and the power cable to ensure that the power feed/joiner is sitting properly in the track.

- S.14** Snap Electrical Straight Joiner into Track
- S.15** Rotate locking cams, securing Electrical Straight Joiner to track. Do not over-rotate locking cam.
- S.16** Place magnetic Cover Plate over Electrical Straight Joiner

Stenos Installation Instructions

Suspended Track

Please read all instructions prior to installation and keep for future reference!

1. Product to be installed by a qualified electrician
2. Use only with class 2 power unit
3. 24 Volts DC
4. Suitable for dry locations only
5. 96W max, 24ft max, and 3 Electrical Joiners max per power feed.
6. Mechanical Joiners and End Cap isolate power circuits. Electrical Joiners are used to continue power down the track.
7. System shapes and power feed locations shown are for reference only. Refer to custom drawing package for the particulars of a specific custom system.



REVO.6
09122023

8 / 22



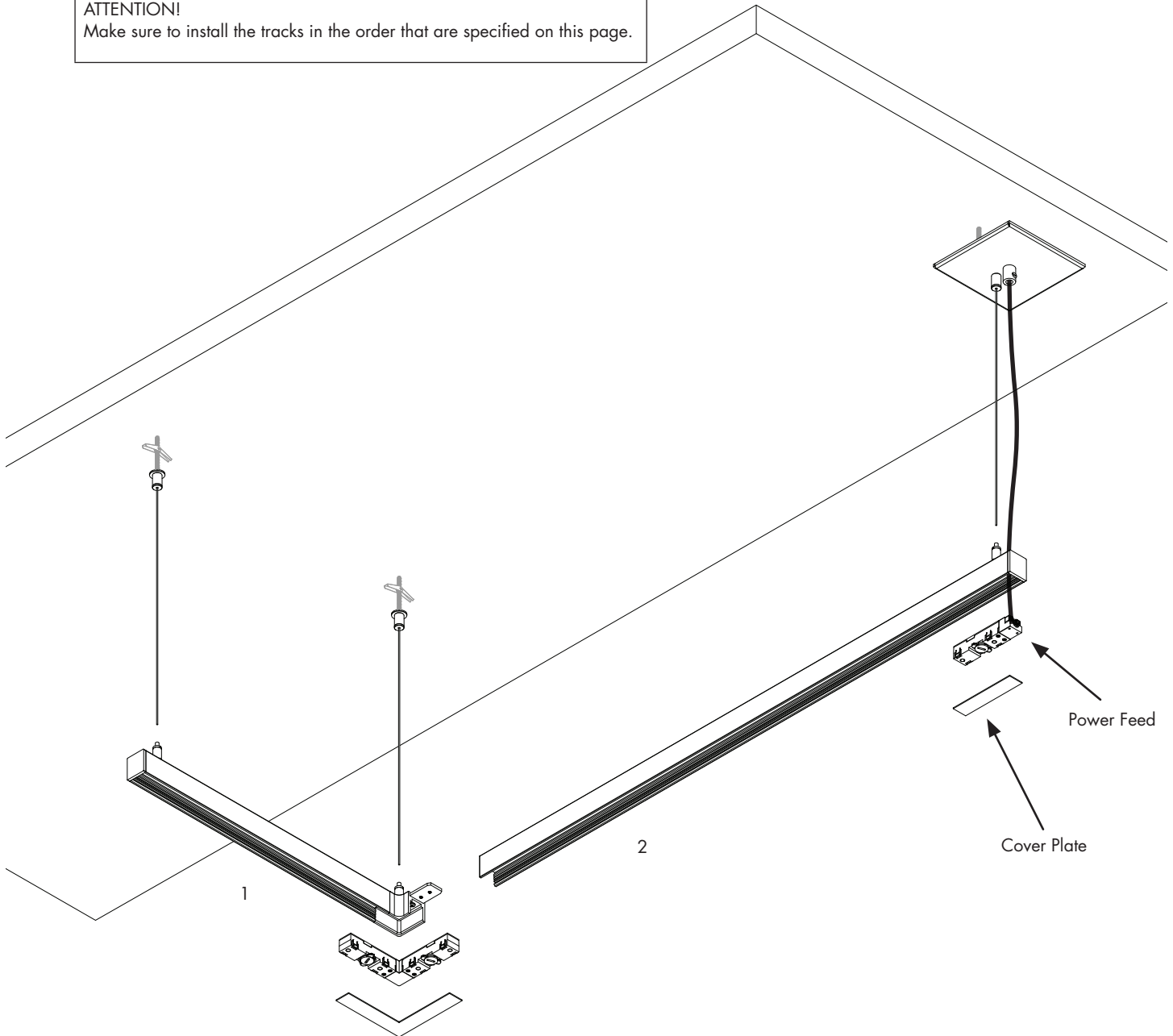
7777 Merrimac Ave
Niles, IL 60714
T 224.333.6033
F 224.757.7557
info@luminii.com
www.luminii.com

L - Suspended Track – L Shape

Track Installation Sequence

ATTENTION!

Make sure to install the tracks in the order that are specified on this page.



Stenos Installation Instructions

Suspended Track

Please read all instructions prior to installation and keep for future reference!

1. Product to be installed by a qualified electrician
2. Use only with class 2 power unit
3. 24 Volts DC
4. Suitable for dry locations only
5. 96W max, 24ft max, and 3 Electrical Joiners max per power feed.
6. Mechanical Joiners and End Cap isolate power circuits. Electrical Joiners are used to continue power down the track.
7. System shapes and power feed locations shown are for reference only. Refer to custom drawing package for the particulars of a specific custom system.



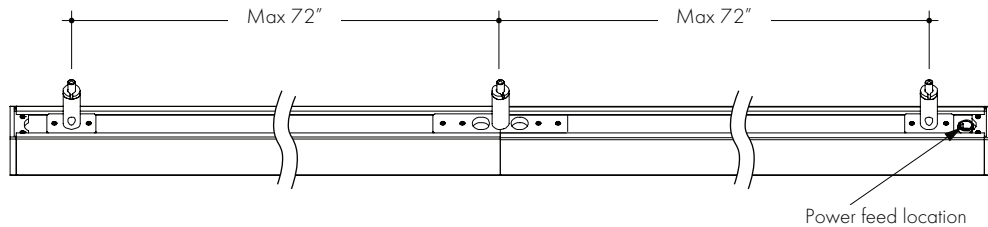
REVO.6
09122023
9 / 22



7777 Merrimac Ave
Niles, IL 60714
T 224.333.6033
F 224.757.7557
info@luminii.com
www.luminii.com

Marking location and installing mounting brackets

L.1



L.1 IMPORTANT! Refer to approved Custom Layout Drawing by Luminii to verify cable gripper positions on fixtures. Mark these mounting points on the ceiling in preparation for cable coupler installation per steps 1.1 - 1.5 and power feed canopy installation per steps L.7 - L.11.

A/C Cable

Suspended Track

Mechanical L Joiner

Cable gripper plunger

Press plunger down

Set screws

To adjust position of cable gripper, loosen set screws at base of cable gripper and reposition to align better with cable couplers in ceiling.

L.2 Bring track section 1 up to the corresponding aircraft cable and push A/C cable through the cable gripper to raise the track. To adjust vertical position, press down on cable gripper plunger.

L.3 Once the track section is leveled and at the desired height, use wire cutters to cut the excess cable from the cable grippers

Stenos Installation Instructions

Suspended Track

Please read all instructions prior to installation and keep for future reference!

1. Product to be installed by a qualified electrician
2. Use only with class 2 power unit
3. 24 Volts DC
4. Suitable for dry locations only
5. 96W max, 24ft max, and 3 Electrical Joiners max per power feed.
6. Mechanical Joiners and End Cap isolate power circuits. Electrical Joiners are used to continue power down the track.
7. System shapes and power feed locations shown are for reference only. Refer to custom drawing package for the particulars of a specific custom system.



REVO.6
09122023

10 / 22



7777 Merrimac Ave
Niles, IL 60714
T 224.333.6033
F 224.757.7557
info@luminii.com
www.luminii.com

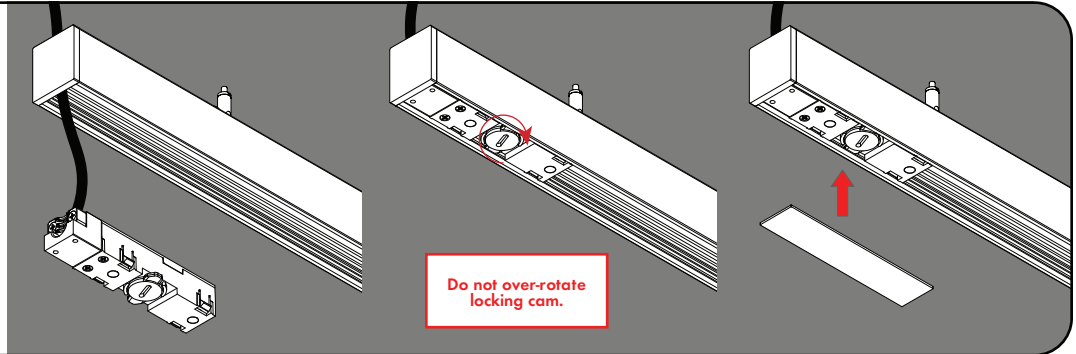
Power Feed Installation

L.4

L.4 Route Power Feed Cable through pre-drilled hole in track.

L.5 Snap Power Feed Connector into Track. Rotate locking cam, securing Power Feed Connector to track.
Do not over-rotate locking cam.

L.6 Place magnetic Cover Plate over Power



Canopy Installation (steps require multiple people)

L.7

Junction Box (by others)

Crossbar Assembly

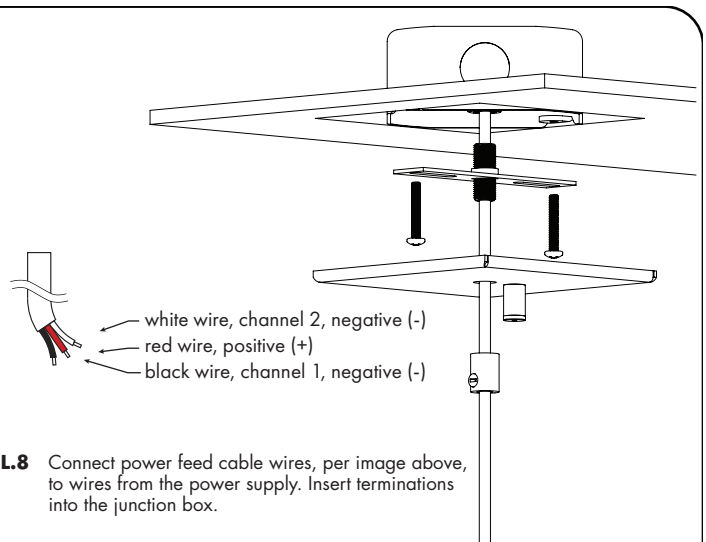
Canopy Cover

Strain Relief Bushing

Cable Coupler

Power Feed Cable

L.7 Route the power feed cable through the strain relief bushing, canopy cover, and crossbar assembly



L.8 Connect power feed cable wires, per image above, to wires from the power supply. Insert terminations into the junction box.

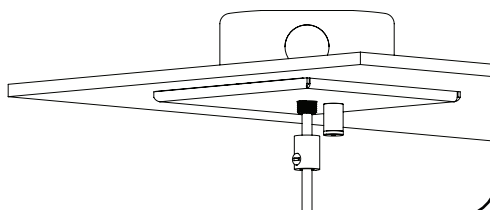
L.9 Align the crossbar to the junction box holes, and secure using the provided two #8-32 screws.

Junction Box

#8-32 Screws

L.10 Slide the canopy cover up to the crossbar and secure by threading the strain relief bushing onto the crossbar assembly.

L.11 Tighten the set screw on the strain relief bushing to secure the position of the power cable.
If applicable, attach A/C cable to cable coupler per step 1.5.



Stenos Installation Instructions

Suspended Track

Please read all instructions prior to installation and keep for future reference!

1. Product to be installed by a qualified electrician
2. Use only with class 2 power unit
3. 24 Volts DC
4. Suitable for dry locations only
5. 96W max, 24ft max, and 3 Electrical Joiners max per power feed.
6. Mechanical Joiners and End Cap isolate power circuits. Electrical Joiners are used to continue power down the track.
7. System shapes and power feed locations shown are for reference only. Refer to custom drawing package for the particulars of a specific custom system.



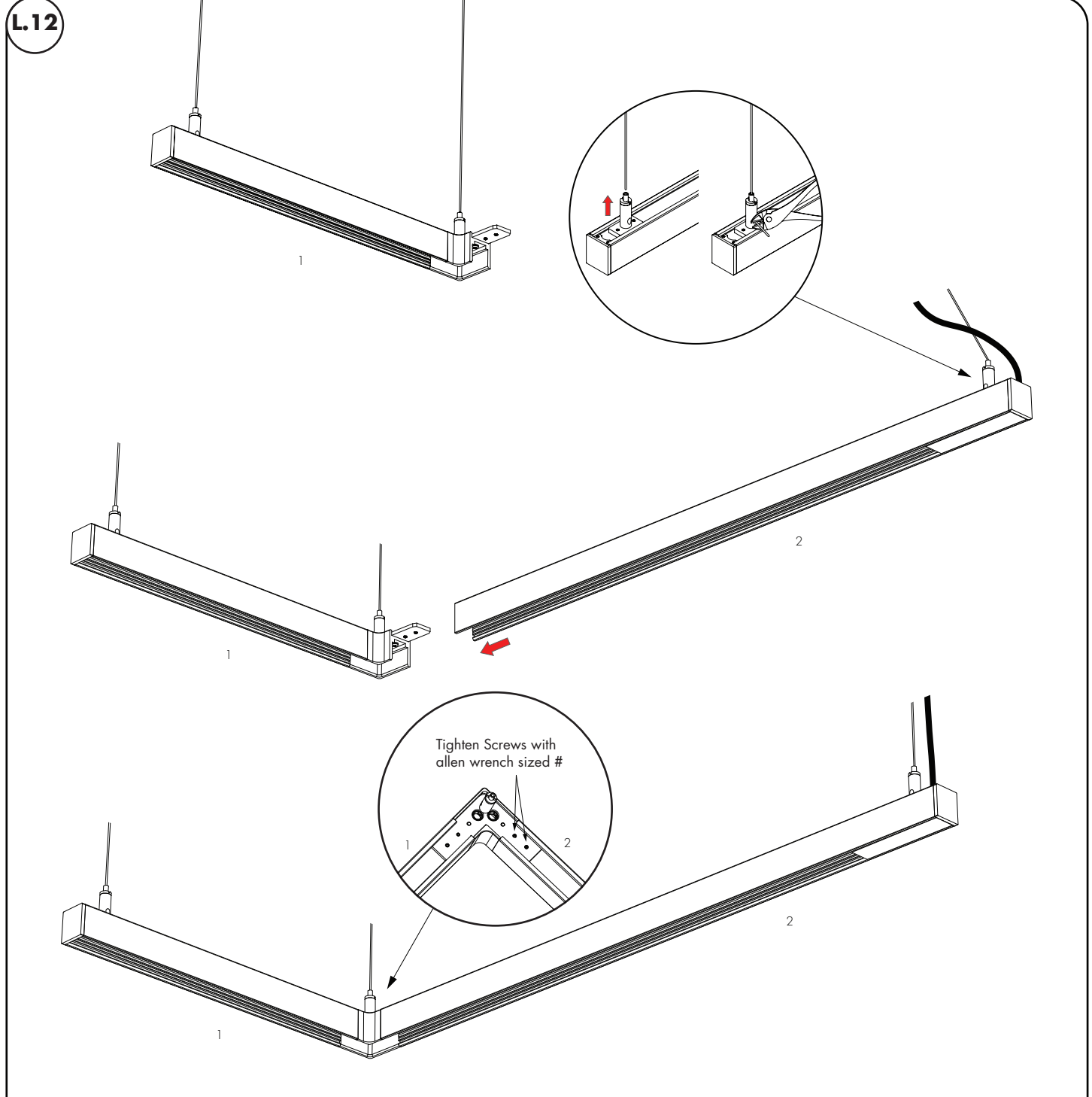
REVO.6
09122023

11 / 22



7777 Merrimac Ave
Niles, IL 60714
T 224.333.6033
F 224.757.7557
info@luminii.com
www.luminii.com

Mount next track section to the ceiling and join to previous track section(s)



- L.12** Connect A/C cable to cable gripper on track section 2, following step L.2 .
- L.13** Slide track section 2 onto mechanical L joiner on track section 1. Adjust position following steps L.2-L.3.
- L.14** Once the two tracks are leveled, tighten the set screws on the mechanical L joiner to secure.

Stenos Installation Instructions

Suspended Track

Please read all instructions prior to installation and keep for future reference!

1. Product to be installed by a qualified electrician
2. Use only with class 2 power unit
3. 24 Volts DC
4. Suitable for dry locations only
5. 96W max, 24ft max, and 3 Electrical Joiners max per power feed.
6. Mechanical Joiners and End Cap isolate power circuits. Electrical Joiners are used to continue power down the track.
7. System shapes and power feed locations shown are for reference only. Refer to custom drawing package for the particulars of a specific custom system.



REVO.6
09122023

12 / 22



7777 Merrimac Ave
Niles, IL 60714
T 224.333.6033
F 224.757.7557
info@luminii.com
www.luminii.com

Install Electrical L Joiner and Cosmetic Finish Plates

L.15

Do not over-rotate locking cam.

Perform a continuity check between the track conductors and the power cable to ensure that the power feed/joiner is sitting properly in the track.

L.15 Snap Electrical L joiner into track.
L.16 Rotate locking cam, securing Electrical L Joiner. **Do not over-rotate locking cam.**
L.17 Place magnetic Cover Plate over Electrical L Joiner.

Stenos Installation Instructions

Suspended Track

Please read all instructions prior to installation and keep for future reference!

1. Product to be installed by a qualified electrician
2. Use only with class 2 power unit
3. 24 Volts DC
4. Suitable for dry locations only
5. 96W max, 24ft max, and 3 Electrical Joiners max per power feed.
6. Mechanical Joiners and End Cap isolate power circuits. Electrical Joiners are used to continue power down the track.
7. System shapes and power feed locations shown are for reference only. Refer to custom drawing package for the particulars of a specific custom system.



REVO.6
09122023

13 / 22



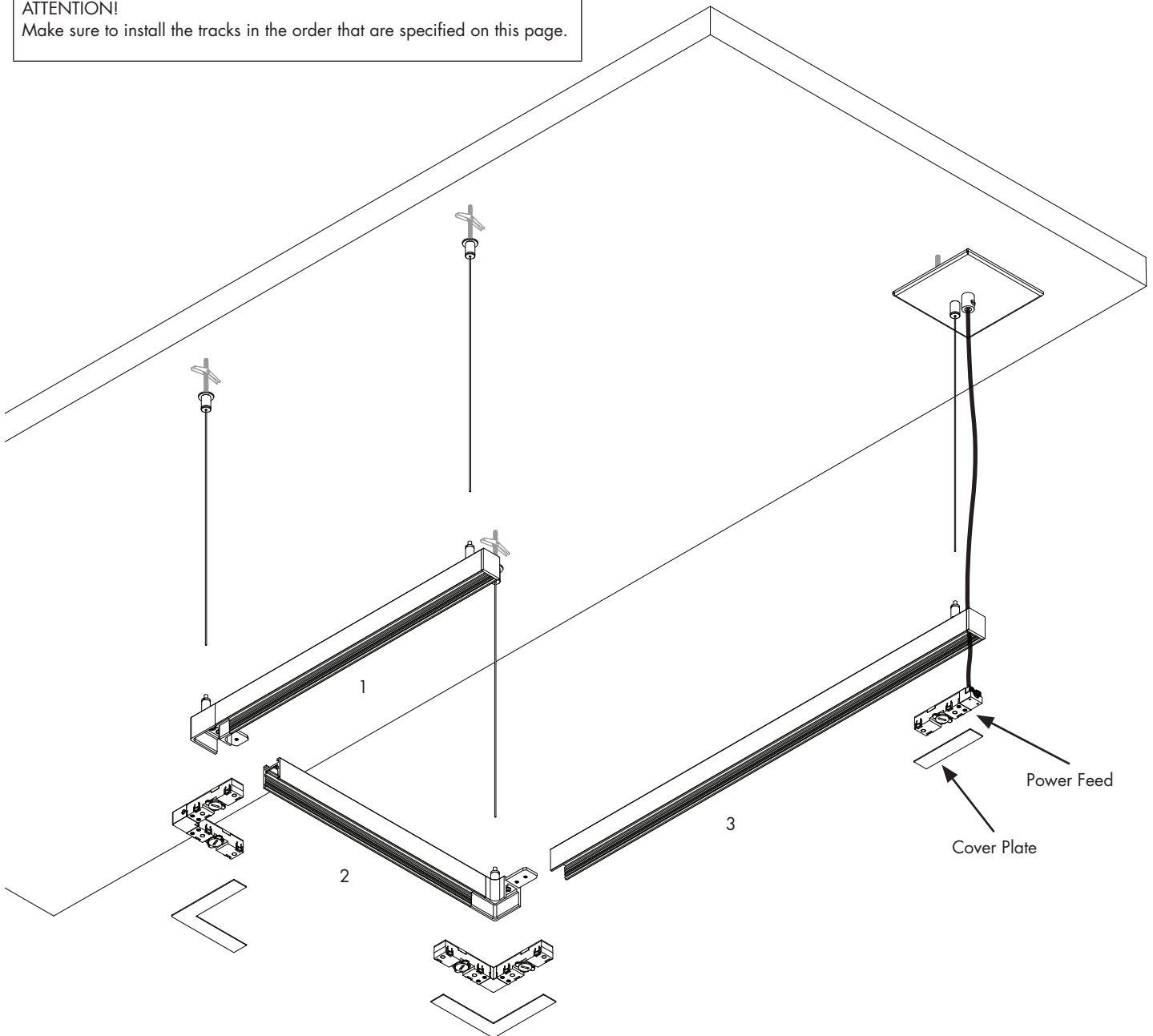
7777 Merrimac Ave
Niles, IL 60714
T 224.333.6033
F 224.757.7557
info@luminii.com
www.luminii.com

U – Suspended Track – U Shape

Track Installation Sequence

ATTENTION!

Make sure to install the tracks in the order that are specified on this page.



Stenos Installation Instructions

Suspended Track

Please read all instructions prior to installation and keep for future reference!

1. Product to be installed by a qualified electrician
2. Use only with class 2 power unit
3. 24 Volts DC
4. Suitable for dry locations only
5. 96W max, 24ft max, and 3 Electrical Joiners max per power feed.
6. Mechanical Joiners and End Cap isolate power circuits. Electrical Joiners are used to continue power down the track.
7. System shapes and power feed locations shown are for reference only. Refer to custom drawing package for the particulars of a specific custom system.



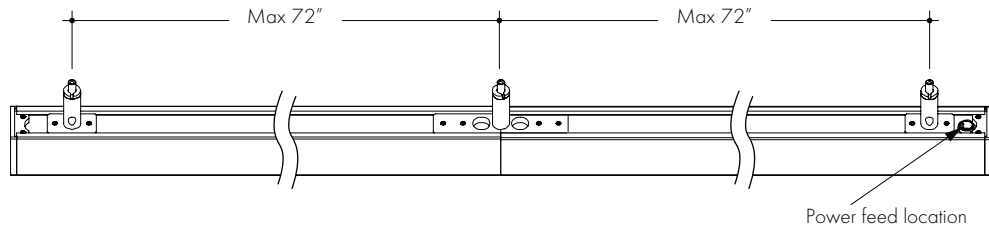
REVO.6
09122023
14 / 22



7777 Merrimac Ave
Niles, IL 60714
T 224.333.6033
F 224.757.7557
info@luminii.com
www.luminii.com

Marking location and installing mounting brackets

U.1



U.1 IMPORTANT! Refer to approved Custom Layout Drawing by Luminii to verify cable gripper positions on fixtures. Mark these mounting points on the ceiling in preparation for cable coupler installation per steps 1.1 - 1.5 and power feed canopy installation per steps U.7 - U.11.

U.2 Bring track section 1 up to the corresponding aircraft cable and push A/C cable through the cable gripper to raise the track. To adjust vertical position, press down on cable gripper plunger.

U.3 Once the track section is leveled and at the desired height, use wire cutters to cut the excess cable from the cable grippers

Stenos Installation Instructions

Suspended Track

Please read all instructions prior to installation and keep for future reference!

1. Product to be installed by a qualified electrician
2. Use only with class 2 power unit
3. 24 Volts DC
4. Suitable for dry locations only
5. 96W max, 24ft max, and 3 Electrical Joiners max per power feed.
6. Mechanical Joiners and End Cap isolate power circuits. Electrical Joiners are used to continue power down the track.
7. System shapes and power feed locations shown are for reference only. Refer to custom drawing package for the particulars of a specific custom system.



REVO.6
09122023

15 / 22



7777 Merrimac Ave
Niles, IL 60714
T 224.333.6033
F 224.757.7557
info@luminii.com
www.luminii.com

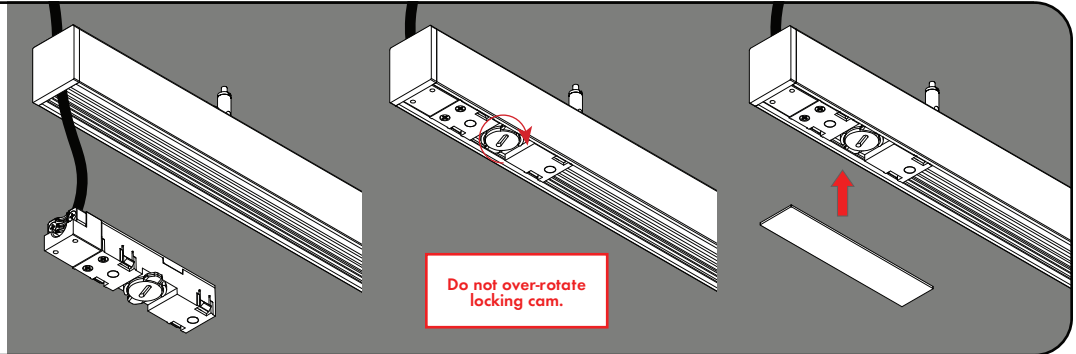
Power Feed Installation

U.4

U.4 Route Power Feed Cable through pre-drilled hole in track.

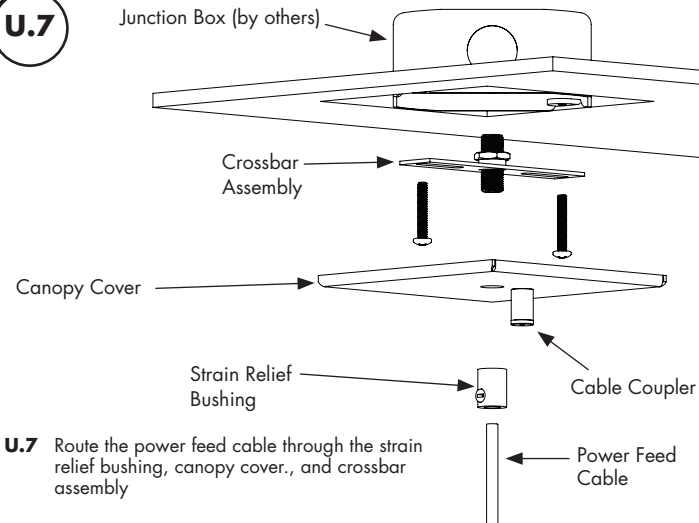
U.5 Snap Power Feed Connector into Track. Rotate locking cam, securing Power Feed Connector to track. **Do not over-rotate locking cam.**

U.6 Place magnetic Cover Plate over Power

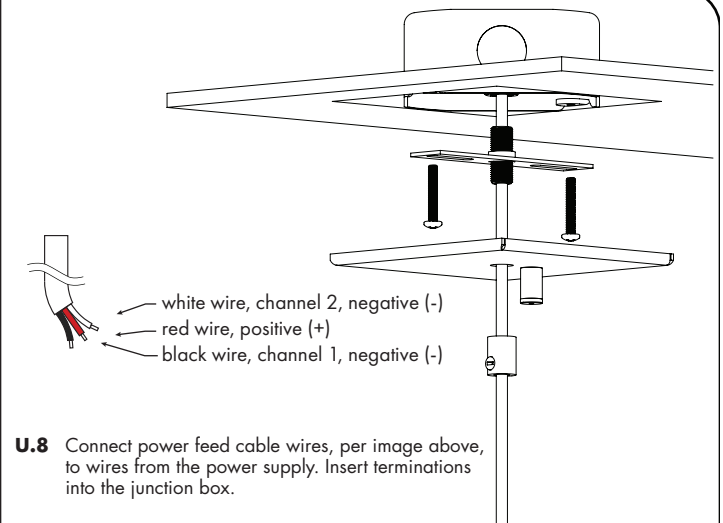


Canopy Installation (steps require multiple people)

U.7

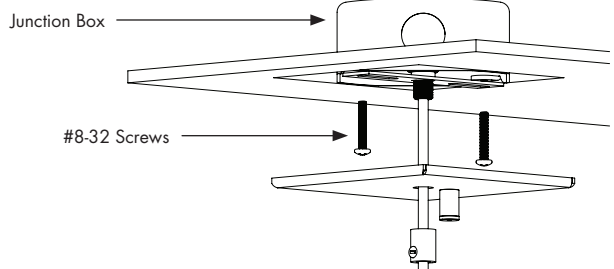


U.7 Route the power feed cable through the strain relief bushing, canopy cover, and crossbar assembly

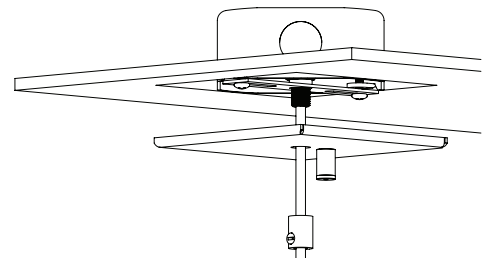


U.8 Connect power feed cable wires, per image above, to wires from the power supply. Insert terminations into the junction box.

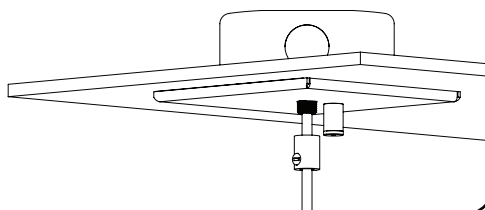
U.9 Align the crossbar to the junction box holes, and secure using the provided two #8-32 screws.



U.10 Slide the canopy cover up to the crossbar and secure by threading the strain relief bushing onto the crossbar assembly.



U.11 Tighten the set screw on the strain relief bushing to secure the position of the power cable. If applicable, attach A/C cable to cable coupler per step 1.5 .



Stenos Installation Instructions

Suspended Track

Please read all instructions prior to installation and keep for future reference!

1. Product to be installed by a qualified electrician
2. Use only with class 2 power unit
3. 24 Volts DC
4. Suitable for dry locations only
5. 96W max, 24ft max, and 3 Electrical Joiners max per power feed.
6. Mechanical Joiners and End Cap isolate power circuits. Electrical Joiners are used to continue power down the track.
7. System shapes and power feed locations shown are for reference only. Refer to custom drawing package for the particulars of a specific custom system.



REVO.6
09122023

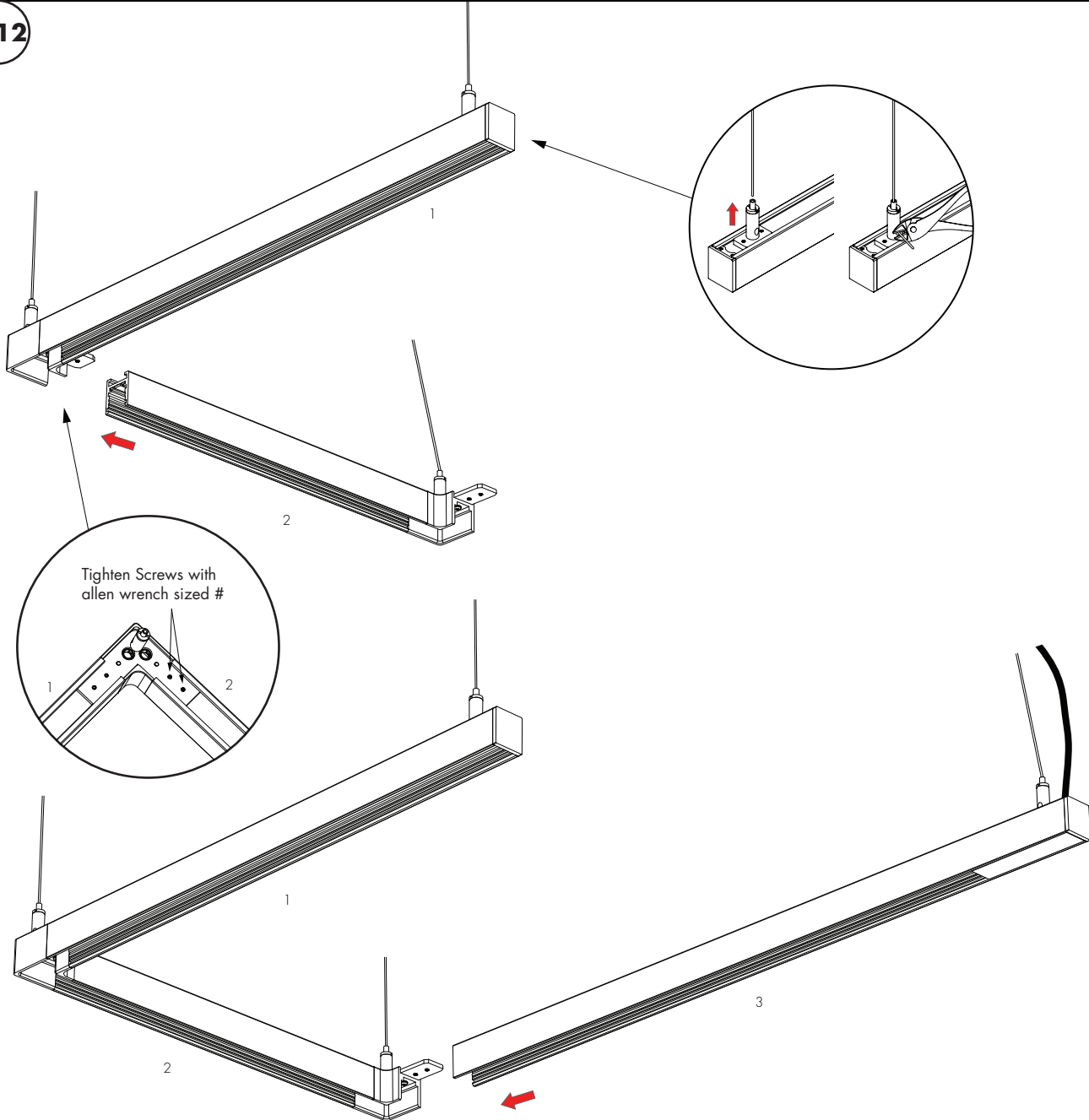
16 / 22



7777 Merrimac Ave
Niles, IL 60714
T 224.333.6033
F 224.757.7557
info@luminii.com
www.luminii.com

Mount next track section to the ceiling and join to previous track section(s)

U.12



U.12 Connect A/C cable to cable gripper on track section 2, following step U.2 .

U.13 Slide track section 2 onto mechanical L joiner on track section 1. Adjust position following steps U.2-U.3.

U.14 Once the two tracks are leveled, tighten the set screws on the mechanical L joiner to secure.

U.15 Repeat steps U.12-U.14 for track section 3.

Stenos Installation Instructions

Suspended Track

Please read all instructions prior to installation and keep for future reference!

1. Product to be installed by a qualified electrician
2. Use only with class 2 power unit
3. 24 Volts DC
4. Suitable for dry locations only
5. 96W max, 24ft max, and 3 Electrical Joiners max per power feed.
6. Mechanical Joiners and End Cap isolate power circuits. Electrical Joiners are used to continue power down the track.
7. System shapes and power feed locations shown are for reference only. Refer to custom drawing package for the particulars of a specific custom system.



REVO.6
09122023

17 / 22



7777 Merrimac Ave
Niles, IL 60714
T 224.333.6033
F 224.757.7557
info@luminii.com
www.luminii.com

Mounting track segments to the ceiling and join to previous tracks (cont.)

U.10

Do not over-rotate locking cam.

Perform a continuity check between the track conductors and the power cable to ensure that the power feed/joiner is sitting properly in the track.

- U.10** Snap Electrical L Joiner into track.
- U.11** Rotate locking cam, securing Electrical L Joiner. **Do not over-rotate locking cam.**
- U.12** Place magnetic Cover Plate over Electrical L Joiner

Stenos Installation Instructions

Suspended Track

Please read all instructions prior to installation and keep for future reference!

1. Product to be installed by a qualified electrician
2. Use only with class 2 power unit
3. 24 Volts DC
4. Suitable for dry locations only
5. 96W max, 24ft max, and 3 Electrical Joiners max per power feed.
6. Mechanical Joiners and End Cap isolate power circuits. Electrical Joiners are used to continue power down the track.
7. System shapes and power feed locations shown are for reference only. Refer to custom drawing package for the particulars of a specific custom system.



REVO.6
09122023

18 / 22



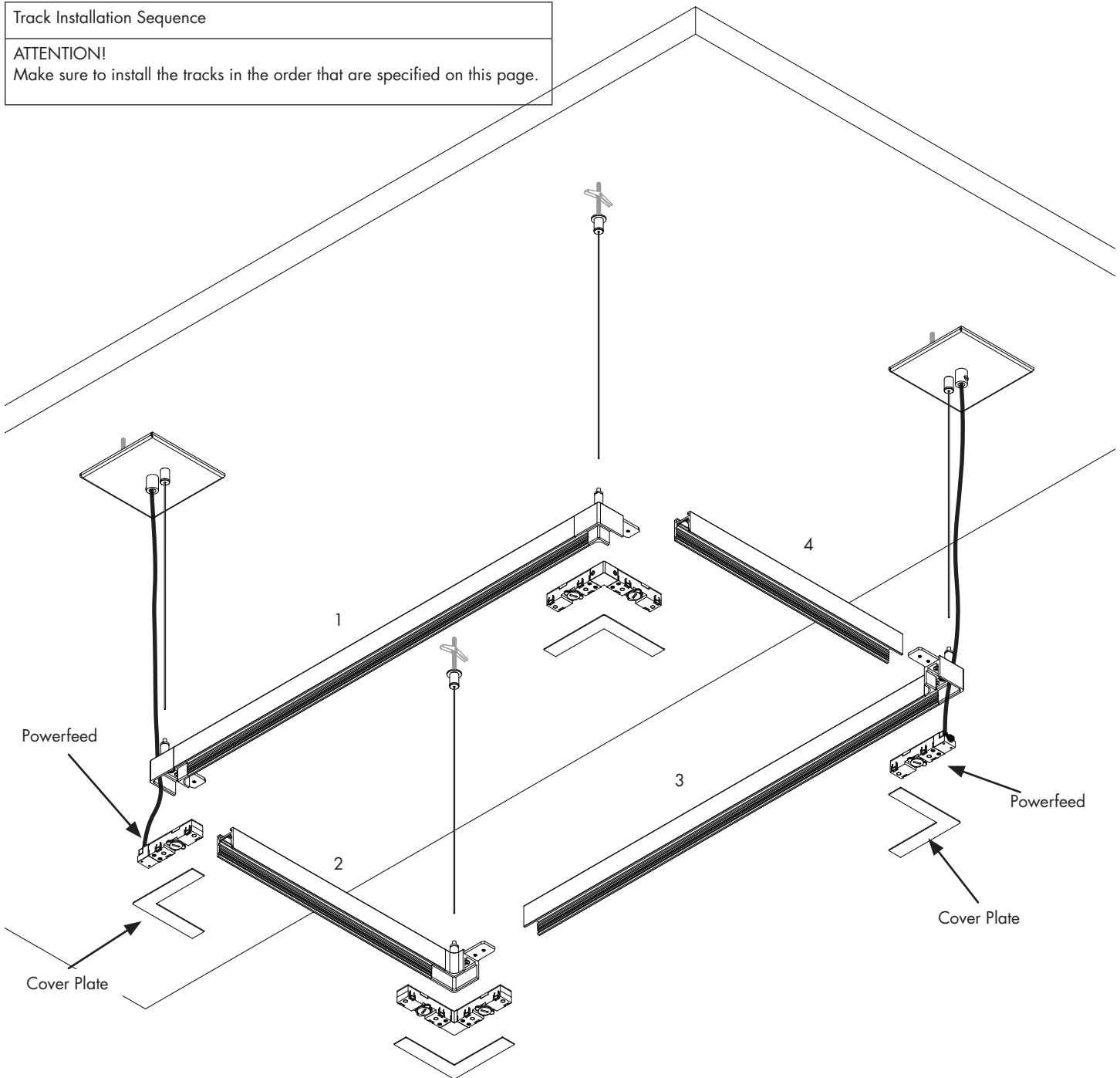
7777 Merrimac Ave
Niles, IL 60714
T 224.333.6033
F 224.757.7557
info@luminii.com
www.luminii.com

R - Suspended Track – Rectangle Shape

Track Installation Sequence

ATTENTION!

Make sure to install the tracks in the order that are specified on this page.



Stenos Installation Instructions

Suspended Track

Please read all instructions prior to installation and keep for future reference!

1. Product to be installed by a qualified electrician
2. Use only with class 2 power unit
3. 24 Volts DC
4. Suitable for dry locations only
5. 96W max, 24ft max, and 3 Electrical Joiners max per power feed.
6. Mechanical Joiners and End Cap isolate power circuits. Electrical Joiners are used to continue power down the track.
7. System shapes and power feed locations shown are for reference only. Refer to custom drawing package for the particulars of a specific custom system.



REVO.6
09122023

19 / 22



7777 Merrimac Ave
Niles, IL 60714
T 224.333.6033
F 224.757.7557
info@luminii.com
www.luminii.com

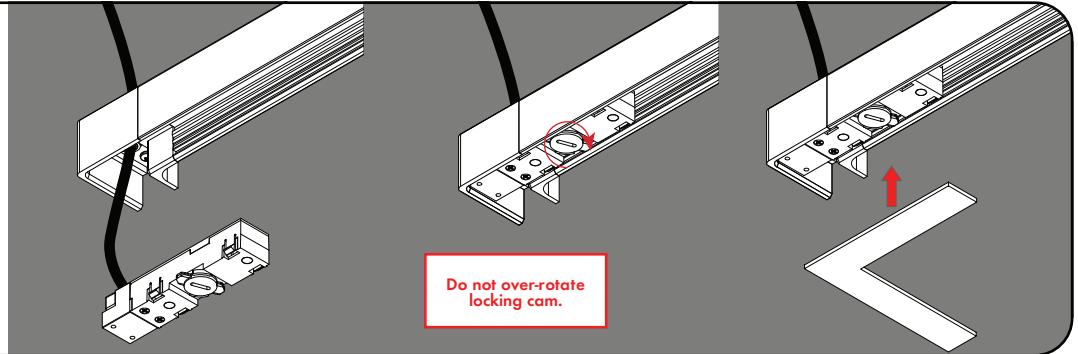
Power Feed Installation

R.1

R.1 Route Power Feed Cable through pre-drilled hole in track.

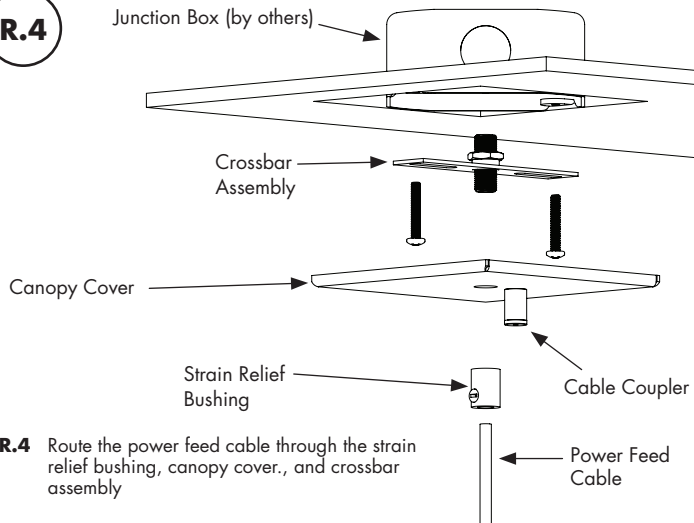
R.2 Snap Power Feed Connector into Track. Rotate locking cam, securing Power Feed Connector to track.
Do not over-rotate locking cam.

R.3 Place magnetic Cover Plate over Power Feed Connector

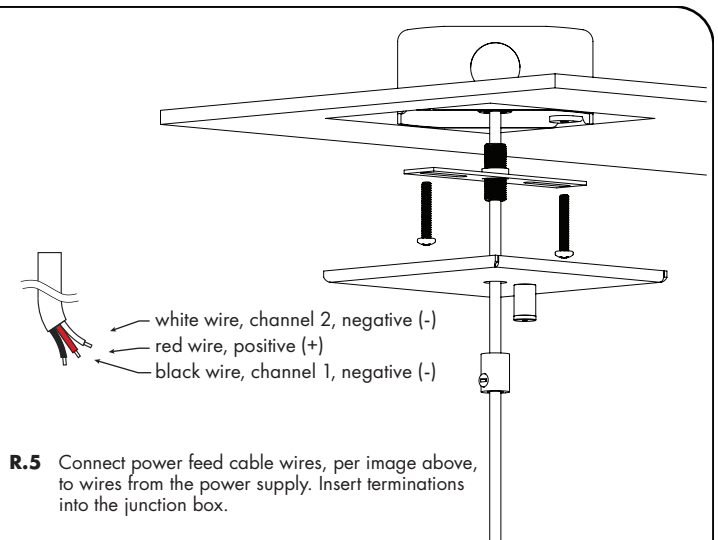


Canopy Installation (steps require multiple people)

R.4

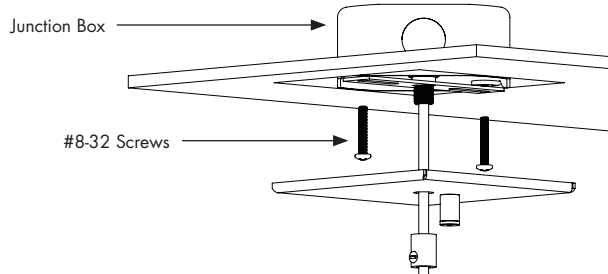


R.4 Route the power feed cable through the strain relief bushing, canopy cover, and crossbar assembly

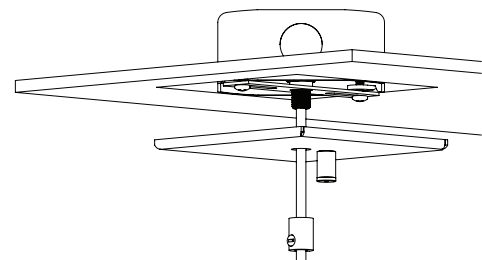


R.5 Connect power feed cable wires, per image above, to wires from the power supply. Insert terminations into the junction box.

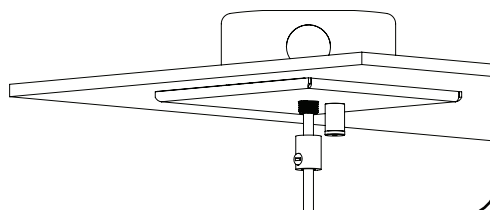
R.6 Align the crossbar to the junction box holes, and secure using the provided two #8-32 screws.



R.7 Slide the canopy cover up to the crossbar and secure by threading the strain relief bushing onto the crossbar assembly.



R.8 Tighten the set screw on the strain relief bushing to secure the position of the power cable.
If applicable, attach A/C cable to cable coupler per step 1.5 .



Stenos Installation Instructions

Suspended Track

Please read all instructions prior to installation and keep for future reference!

1. Product to be installed by a qualified electrician
2. Use only with class 2 power unit
3. 24 Volts DC
4. Suitable for dry locations only
5. 96W max, 24ft max, and 3 Electrical Joiners max per power feed.
6. Mechanical Joiners and End Cap isolate power circuits. Electrical Joiners are used to continue power down the track.
7. System shapes and power feed locations shown are for reference only. Refer to custom drawing package for the particulars of a specific custom system.



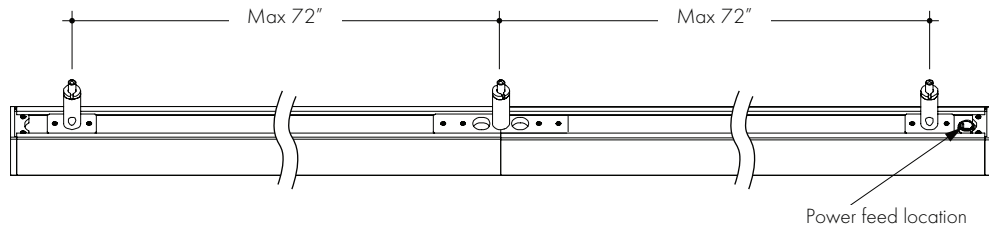
REVO.6
09122023
20 / 22



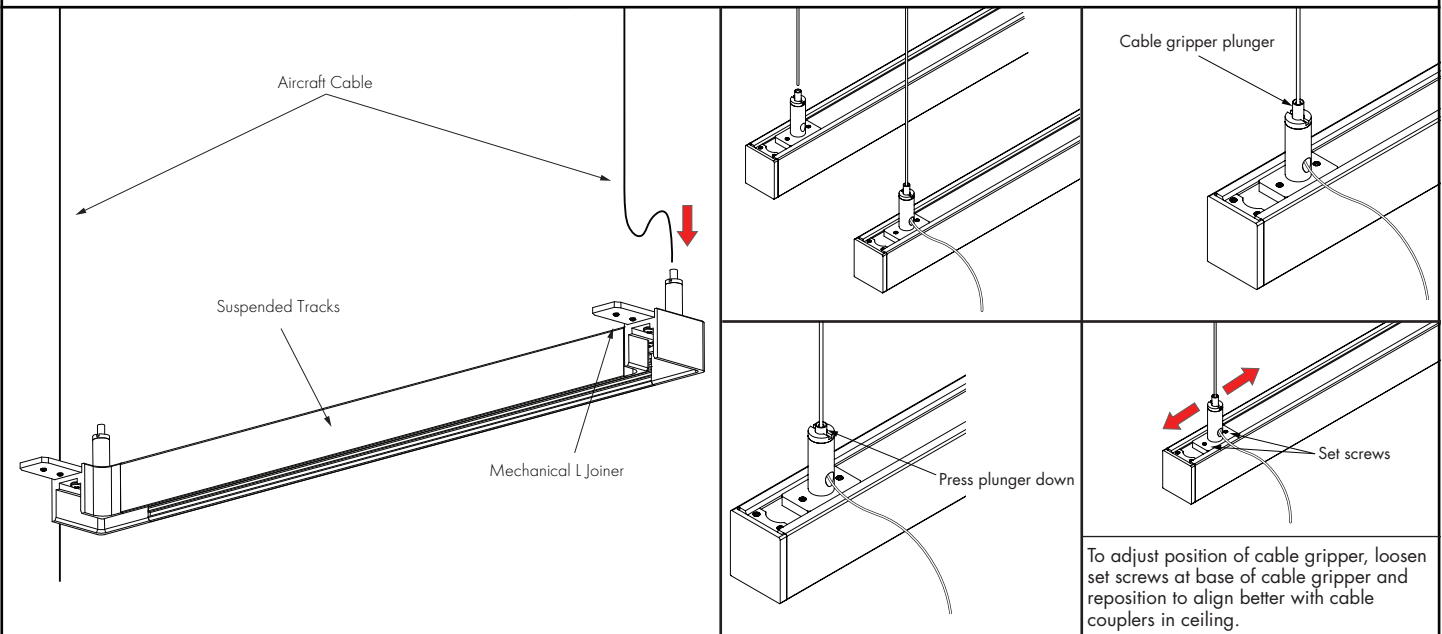
7777 Merrimac Ave
Niles, IL 60714
T 224.333.6033
F 224.757.7557
info@luminii.com
www.luminii.com

Marking location and installing mounting brackets

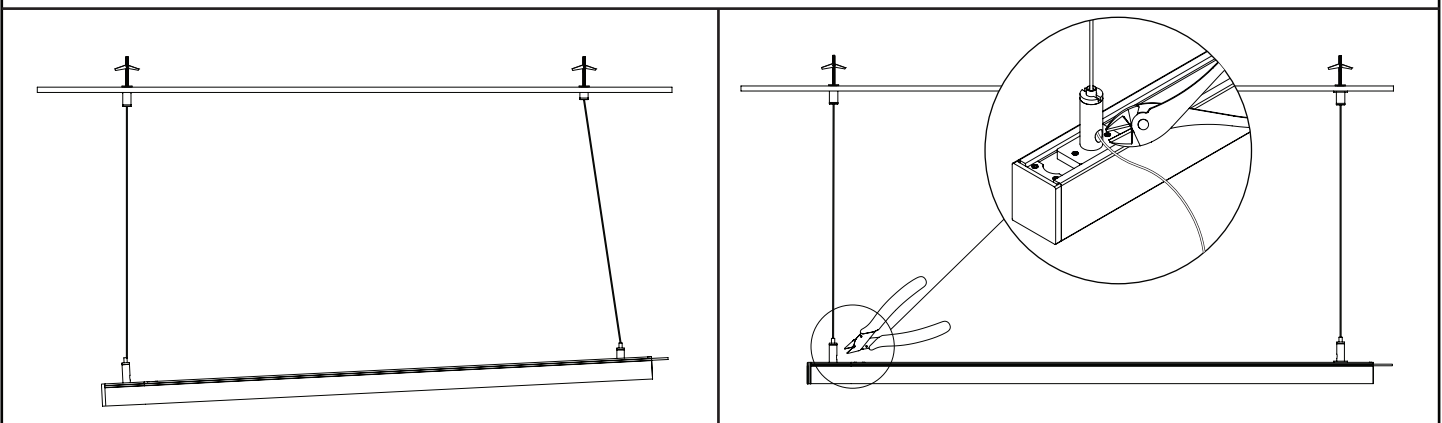
R.9



R.9 IMPORTANT! Refer to approved **Custom Layout Drawing** by Luminii to verify cable gripper positions on fixtures. Mark these mounting points on the ceiling in preparation for cable coupler installation per steps 1.1 - 1.5 and power feed canopy installation per steps R.4 - R.8.



R.10 Bring track section 1 up to the corresponding aircraft cable and push A/C cable through the cable gripper to raise the track. To adjust vertical position, press down on cable gripper plunger.



R.11 Once the track section is leveled and at the desired height, use wire cutters to cut the excess cable from the cable grippers

Stenos Installation Instructions

Suspended Track

Please read all instructions prior to installation and keep for future reference!

1. Product to be installed by a qualified electrician
2. Use only with class 2 power unit
3. 24 Volts DC
4. Suitable for dry locations only
5. 96W max, 24ft max, and 3 Electrical Joiners max per power feed.
6. Mechanical Joiners and End Cap isolate power circuits. Electrical Joiners are used to continue power down the track.
7. System shapes and power feed locations shown are for reference only. Refer to custom drawing package for the particulars of a specific custom system.



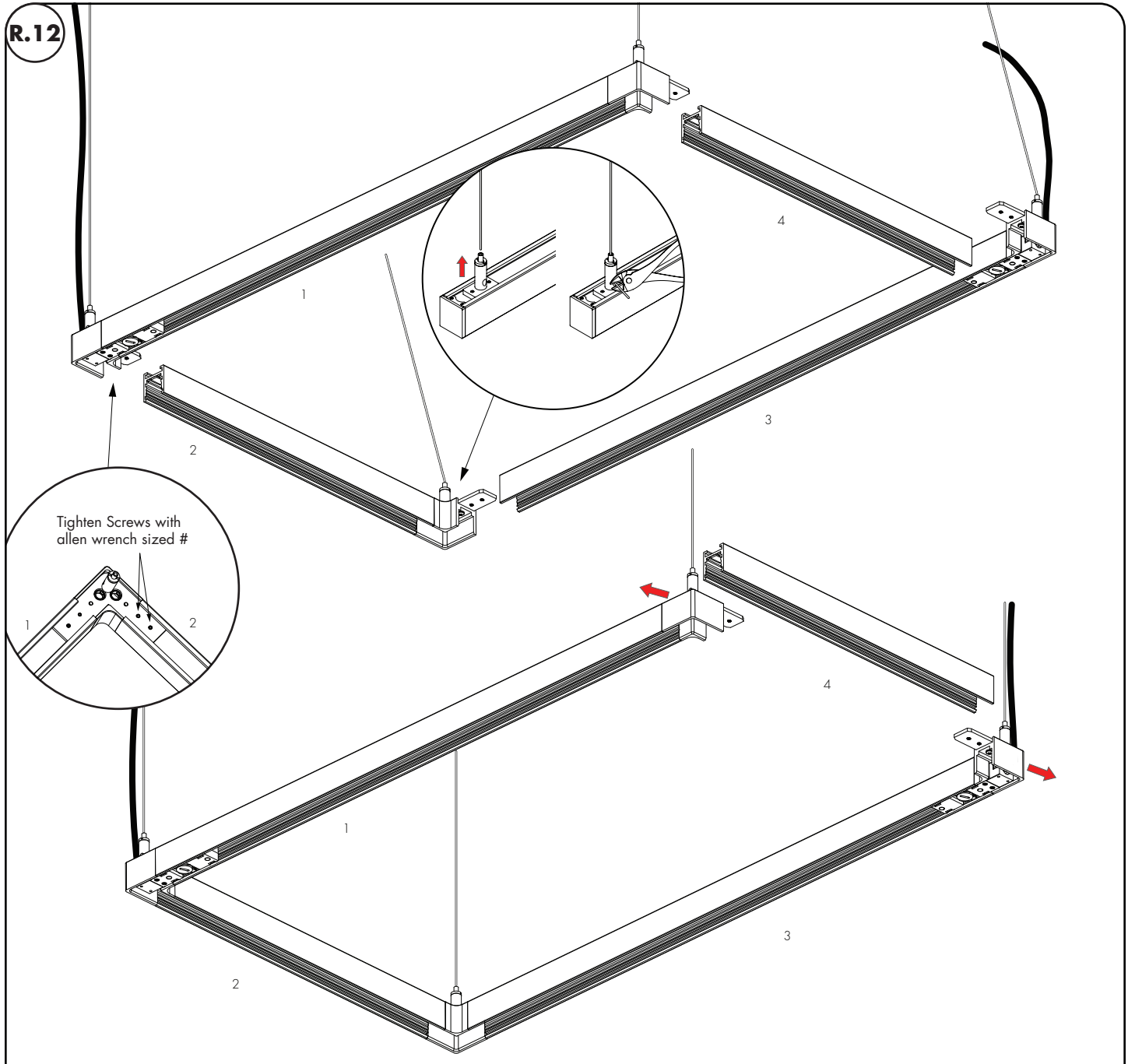
REVO.6
09122023

21 / 22



7777 Merrimac Ave
Niles, IL 60714
T 224.333.6033
F 224.757.7557
info@luminii.com
www.luminii.com

Mount next track section to the ceiling and join to previous track section(s)



- R.12** Connect A/C cable to cable gripper on track section 2, following step U.2 .
- R.13** Slide track section 2 onto mechanical L joiner on track section 1. Adjust position following steps R.10-R.11
- R.14** Once the two tracks are leveled, tighten the set screws on the mechanical L joiner to secure.
- R.15** Repeat steps R.12-R.14 for track section 3.
- R.16** Slide track section 4 onto mechanical L joiners on track section 1 and track sections 3. Adjust position following steps R.10-R.11.
- R.17** Once the two tracks are leveled, tighten the set screws on the mechanical L joiner to secure.

Stenos Installation Instructions

Suspended Track

Please read all instructions prior to installation and keep for future reference!

1. Product to be installed by a qualified electrician
2. Use only with class 2 power unit
3. 24 Volts DC
4. Suitable for dry locations only
5. 96W max, 24ft max, and 3 Electrical Joiners max per power feed.
6. Mechanical Joiners and End Cap isolate power circuits. Electrical Joiners are used to continue power down the track.
7. System shapes and power feed locations shown are for reference only. Refer to custom drawing package for the particulars of a specific custom system.



REVO.6
09122023

22 / 22



7777 Merrimac Ave
Niles, IL 60714
T 224.333.6033
F 224.757.7557
info@luminii.com
www.luminii.com

Install Electrical L Joiners and Magnetic Cover Plates

R.18

Do not over-rotate locking cam.

Perform a continuity check between the track conductors and the power cable to ensure that the power feed/joiner is sitting properly in the track.

R.18 Snap Electrical L Joiners into Track
R.19 Rotate locking cams, securing Electrical L Joiners to track. **Do not over-rotate locking cam.**
R.20 Place magnetic Cover Plate over Electrical L Joiners.