

Kendo L Bendable - Installation Instructions

Models KLBC-XX



7777 Merrimac Ave
Niles, IL 60714
T 224.333.6033
F 224.757.7557
info@luminii.com
www.luminii.com

REVO.1
02232024

1 / 2

Please read all instructions prior to installation and keep for future reference!

1. PRODUCT TO BE INSTALLED BY A QUALIFIED ELECTRICIAN. 5. SURFACE MOUNT ONLY
2. USE ONLY WITH CLASS 2 POWER UNIT.
3. 24 VOLTS DC.
4. SUITABLE FOR DAMP LOCATIONS.

1

Note: Complete fixture must be built prior to installing. To make all necessary reference marks & to also ensure all parts are included. Then it can be taken apart for installation.

1.1 Snap lens into the extrusion, then align & center the extrusion to the determined location. Make all necessary markings to install to the surface. Prior to installation of extrusion, 24VDC power must be present.

2

Caution: Safety equipment is recommended, when modifications are being made to the extrusion & lens.

2.1 If necessary extrusion and lens can be cut in the field. Snap all parts together then, using the proper blade for aluminum, cut to the desired length.

3

Note: Extrusion is not waterproof. If it is going to be installed facing up and in a wet location, drainage holes should be drilled along the inner corner of the extrusion every 12". Drill 1/16" to 1/8" diameters holes before installing LED strip

3.1 LineLED can be shortened by cutting along the dashed lines in between the solder pads. Make sure the cut is made on the side of the LineLED without the wire leads. LineLED cannot touch the metal endcap which will shorten the circuit.

4

4.1 Prior to installing LineLED to extrusion, clean extrusion from any debris. Gently push LineLED onto aluminum extrusion. Then remove the protective film from the diffuser lens and snap the diffuser lens into the aluminum extrusion.

5

5.1 Install endcaps at each ends of the extrusion by aligning the grooves of the endcap and sliding them into position

6

For Fixed Clip Mounting Installation

6.1 Screw mounting brackets into previously made markings from step 1, then clip the extrusion on to the mounting brackets.

Kendo L Bendable - Installation Instructions

Models KLBC-XX

Please read all instructions prior to installation and keep for future reference!

1. PRODUCT TO BE INSTALLED BY A QUALIFIED ELECTRICIAN. 5. SURFACE MOUNT ONLY
2. USE ONLY WITH CLASS 2 POWER UNIT.
3. 24 VOLTS DC.
4. SUITABLE FOR DAMP LOCATIONS.

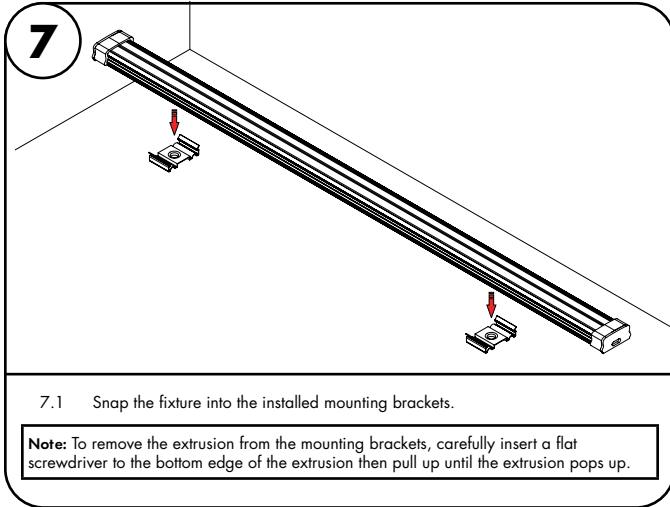


REVO.1
02232024

2 / 2

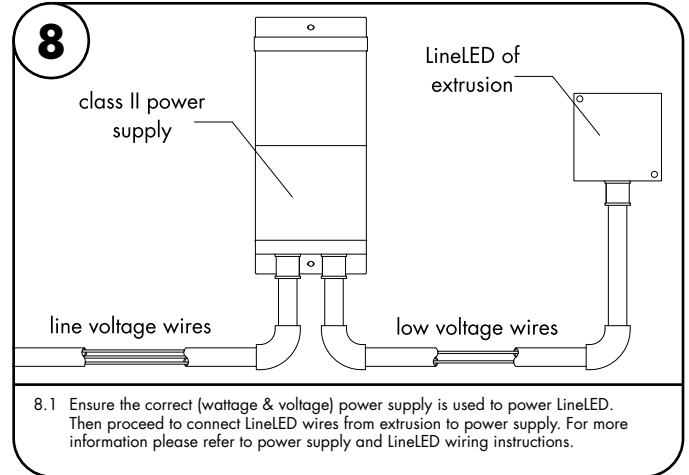


7777 Merrimac Ave
Niles, IL 60714
T 224.333.6033
F 224.757.7557
info@luminii.com
www.luminii.com



7.1 Snap the fixture into the installed mounting brackets.

Note: To remove the extrusion from the mounting brackets, carefully insert a flat screwdriver to the bottom edge of the extrusion then pull up until the extrusion pops up.



8.1 Ensure the correct (wattage & voltage) power supply is used to power LineLED. Then proceed to connect LineLED wires from extrusion to power supply. For more information please refer to power supply and LineLED wiring instructions.