

MINIMO CORE

19° NARROW BEAM



TECHNICAL DESCRIPTION

Minimo Core is a Constant Current single source LED downlight that comes as standard in white and black with a pinhole aesthetic. It has four optic choices for flexible beam distribution and is fully adjustable with 355° pan and 35° tilt without breaking the ceiling line. The narrow beam in our 12.60W 1200lm module has a peak intensity of 6389cd. The integral accessory holder can accommodate 31mm lenses and louvers up to 4mm thick.

MECHANICAL & ELECTRICAL

CATEGORY IP20

MATERIAL Cast Aluminium A383

PAN 355°

TILT 35°

LOCKABLE N/A

WEIGHT 270g | 0.60lb

WATTAGE 12.60W

FORWARD VOLTAGE 18V

DRIVE CURRENT 700mA

SUPPLY TYPE Constant Current

DRIVER LOCATION Remote

DIMMING DALI | 0-10V | 1-10V | Casambi

MOUNTING

MOUNTING Recessed

CEILING THICKNESS 5-25mm (0.20-0.98")

CUTOUT ø70mm (2.75")

MIN CEILING VOID 25mm (1.00") clearance above

FINISHES

FINISHES Black RAL9005 | White RAL9016

*Premium & custom finishes are built & finished to order. These are subject to an extended lead time & MOQ.

OPTICAL & STANDARDS

NOMINAL LUMENS 1200lm

DELIVERED LUMENS 887lm

COLOUR TEMPERATURE 2400K | 2700K | 3000K

ACCESSORY HOLDER Integral

ACCESSORIES Louver | Lenses 31mm

TM65 13.59kgCO2e

TM66 2.2

BEAM ANGLE 19°

CRI 92 TYP - 2400K | 98 TYP - 2700K/3000K

TM-30 RF: 95 RG: 101

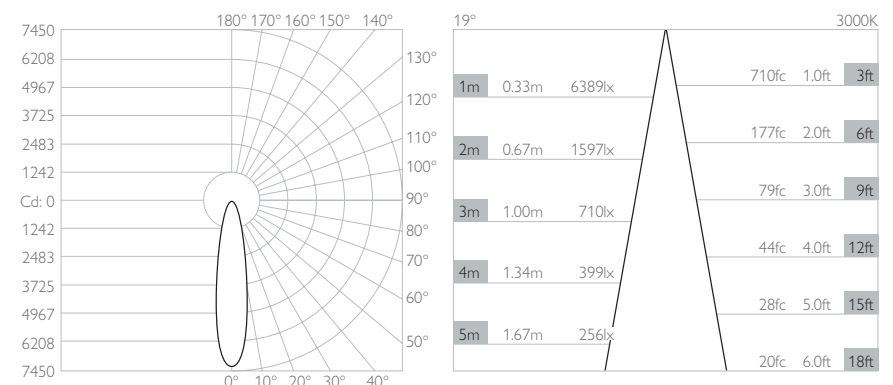
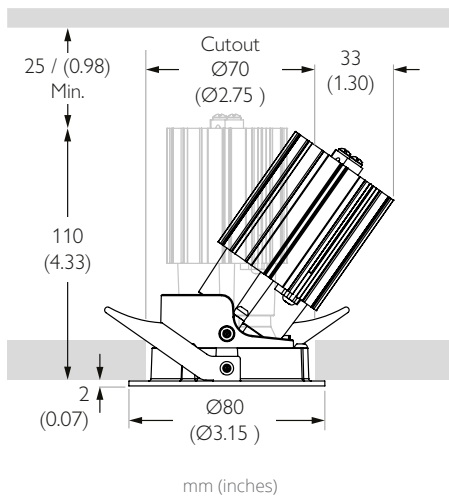
WARRANTY 5 Years

LIFETIME L90B10 50,000hrs

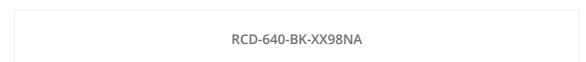
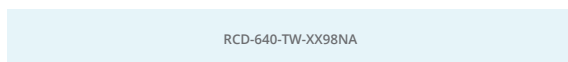
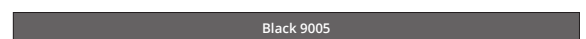
STANDARDS



Photometry shown is for 3000K module. Please enquire for other CCT photometry.



LUMINAIRE FINISH



*All premium & custom finishes are built & finished to order. These are subject to an extended lead time & MOQ

For 3000K Substitute XX with 30

For 2700K Substitute XX with 27

MINIMO CORE

25° MEDIUM BEAM



TECHNICAL DESCRIPTION

Minimo Core is a Constant Current single source LED downlight that comes as standard in white and black with a pinhole aesthetic. It has four optic choices for flexible beam distribution and is fully adjustable with 355° pan and 35° tilt without breaking the ceiling line. The medium beam in our 12.60W 1200lm module has a peak intensity of 5069cd. The integral accessory holder can accommodate 31mm lenses and louvers up to 4mm thick.

MECHANICAL & ELECTRICAL

CATEGORY IP20

MATERIAL Cast Aluminium A383

PAN 355°

TILT 35°

LOCKABLE N/A

WEIGHT 270g | 0.60lb

WATTAGE 12.60W

FORWARD VOLTAGE 18V

DRIVE CURRENT 700mA

SUPPLY TYPE Constant Current

DRIVER LOCATION Remote

DIMMING DALI | 0-10V | 1-10V | Casambi

MOUNTING

MOUNTING Recessed

CEILING THICKNESS 5-25mm (0.20-0.98")

CUTOUT ø70mm (2.75")

MIN CEILING VOID 25mm (1.00") clearance above

FINISHES

FINISHES Black RAL9005 | White RAL9016

*Premium & custom finishes are built & finished to order. These are subject to an extended lead time & MOQ.

OPTICAL & STANDARDS

NOMINAL LUMENS 1200lm

DELIVERED LUMENS 1001lm

COLOUR TEMPERATURE 2400K | 2700K | 3000K

ACCESSORY HOLDER Integral

ACCESSORIES Louver | Lenses 31mm

TM65 13.59kgCO2e

TM66 2.2

BEAM ANGLE 25°

CRI 92 TYP - 2400K | 98 TYP - 2700K/3000K

TM-30 RF: 95 RG: 101

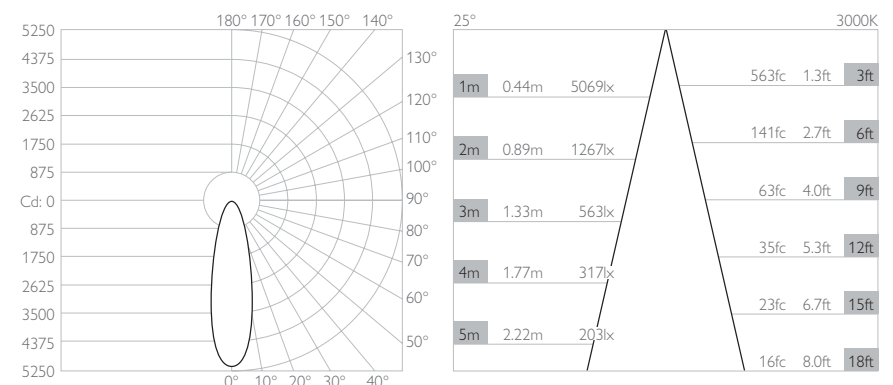
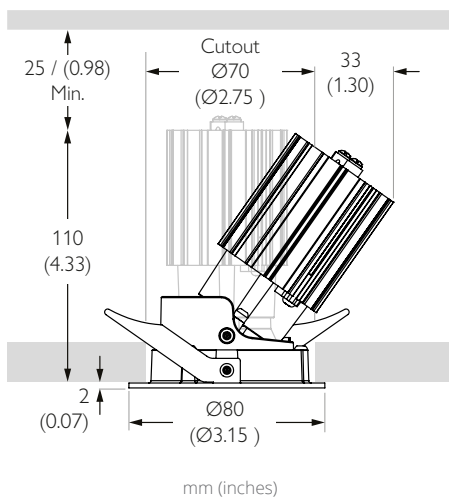
WARRANTY 5 Years

LIFETIME L90B10 50,000hrs

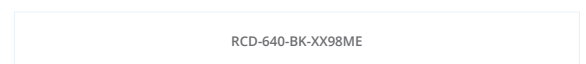
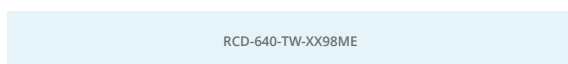
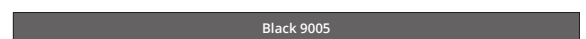
STANDARDS



Photometry shown is for 3000K module. Please enquire for other CCT photometry.



LUMINAIRE FINISH



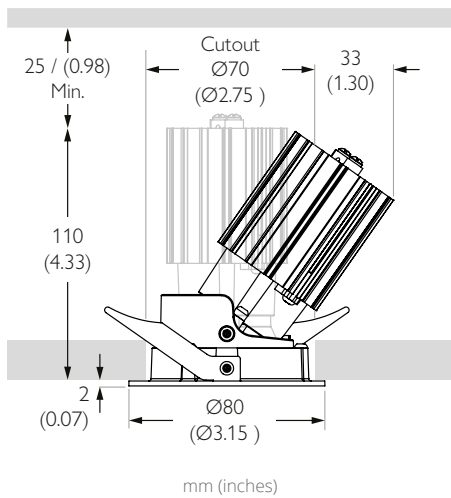
*All premium & custom finishes are built & finished to order. These are subject to an extended lead time & MOQ

For 3000K Substitute XX with 30

For 2700K Substitute XX with 27

MINIMO CORE

37° WIDE BEAM



TECHNICAL DESCRIPTION

Minimo Core is a Constant Current single source LED downlight that comes as standard in white and black with a pinhole aesthetic. It has four optic choices for flexible beam distribution and is fully adjustable with 355° pan and 35° tilt without breaking the ceiling line. The wide beam in our 12.60W 1200lm module has a peak intensity of 2473cd. The integral accessory holder can accommodate 31mm lenses and louvers up to 4mm thick.

MECHANICAL & ELECTRICAL

CATEGORY IP20

MATERIAL Cast Aluminium A383

PAN 355°

TILT 35°

LOCKABLE N/A

WEIGHT 270g | 0.60lb

WATTAGE 12.60W

FORWARD VOLTAGE 18V

DRIVE CURRENT 700mA

SUPPLY TYPE Constant Current

DRIVER LOCATION Remote

DIMMING DALI | 0-10V | 1-10V | Casambi

MOUNTING

MOUNTING Recessed

CEILING THICKNESS 5-25mm (0.20-0.98")

CUTOUT ø70mm (2.75")

MIN CEILING VOID 25mm (1.00") clearance above

FINISHES

FINISHES Black RAL9005 | White RAL9016

*Premium & custom finishes are built & finished to order. These are subject to an extended lead time & MOQ.

OPTICAL & STANDARDS

NOMINAL LUMENS 1200lm

DELIVERED LUMENS 997lm

COLOUR TEMPERATURE 2400K | 2700K | 3000K

ACCESSORY HOLDER Integral

ACCESSORIES Louver | Lenses 31mm

TM65 13.59kgCO2e

TM66 2.2

BEAM ANGLE 37°

CRI 92 TYP - 2400K | 98 TYP - 2700K/3000K

TM-30 RF: 95 RG: 101

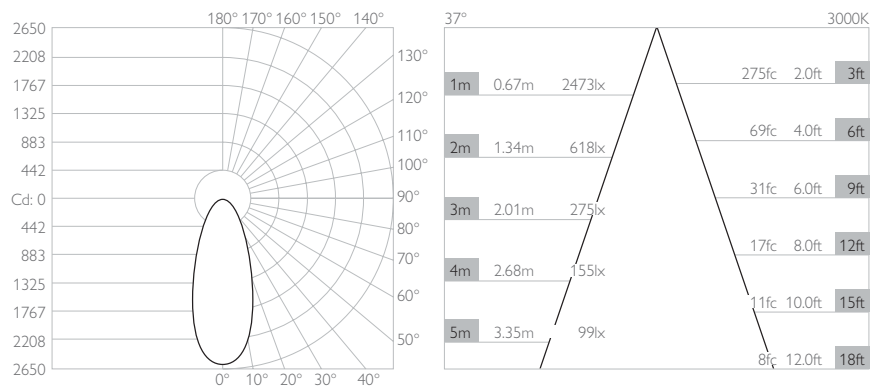
WARRANTY 5 Years

LIFETIME L90B10 50,000hrs

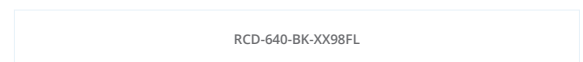
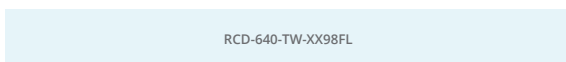
STANDARDS



Photometry shown is for 3000K module. Please enquire for other CCT photometry.



LUMINAIRE FINISH



*All premium & custom finishes are built & finished to order. These are subject to an extended lead time & MOQ

For 3000K Substitute XX with 30 | For 2700K Substitute XX with 27

MINIMO CORE

50° VERY WIDE BEAM



TECHNICAL DESCRIPTION

Minimo Core is a Constant Current single source LED downlight that comes as standard in white and black with a pinhole aesthetic. It has four optic choices for flexible beam distribution and is fully adjustable with 355° pan and 35° tilt without breaking the ceiling line. The very wide beam in our 12.60W 1200lm module has a peak intensity of 1537cd. The integral accessory holder can accommodate 31mm lenses and louvers up to 4mm thick.

MECHANICAL & ELECTRICAL

CATEGORY IP20

MATERIAL Cast Aluminium A383

PAN 355°

TILT 35°

LOCKABLE N/A

WEIGHT 270g | 0.60lb

WATTAGE 12.60W

FORWARD VOLTAGE 18V

DRIVE CURRENT 700mA

SUPPLY TYPE Constant Current

DRIVER LOCATION Remote

DIMMING DALI | 0-10V | 1-10V | Casambi

MOUNTING

MOUNTING Recessed

CEILING THICKNESS 5-25mm (0.20-0.98")

CUTOUT ø70mm (2.75")

MIN CEILING VOID 25mm (1.00") clearance above

FINISHES

FINISHES Black RAL9005 | White RAL9016

*Premium & custom finishes are built & finished to order. These are subject to an extended lead time & MOQ.

OPTICAL & STANDARDS

NOMINAL LUMENS 1200lm

DELIVERED LUMENS 912lm

COLOUR TEMPERATURE 2400K | 2700K | 3000K

ACCESSORY HOLDER Integral

ACCESSORIES Louver | Lenses 31mm

TM65 13.59kgCO2e

TM66 2.2

BEAM ANGLE 50°

CRI 92 TYP - 2400K | 98 TYP - 2700K/3000K

TM-30 RF: 95 RG: 101

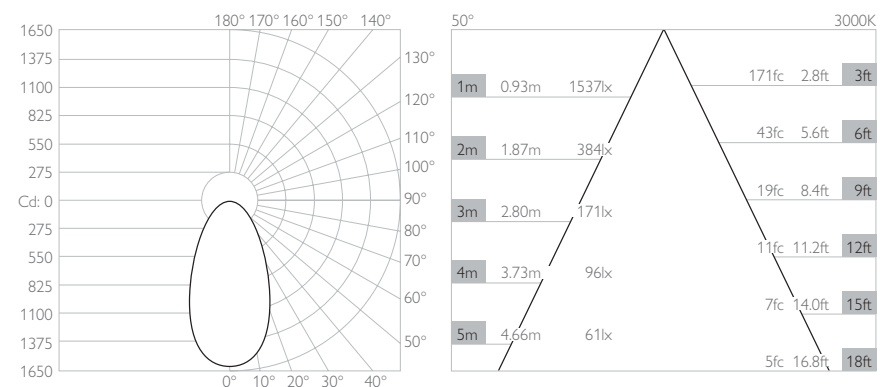
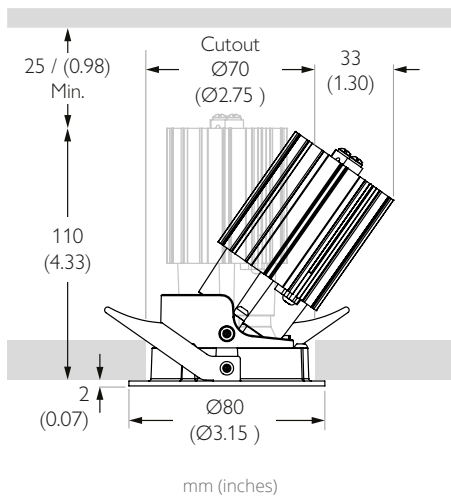
WARRANTY 5 Years

LIFETIME L90B10 50,000hrs

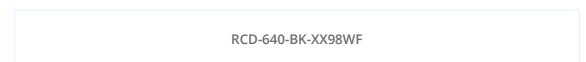
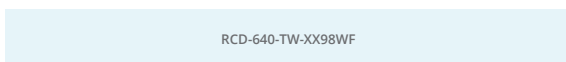
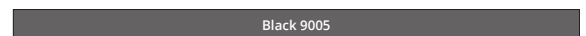
STANDARDS



Photometry shown is for 3000K module. Please enquire for other CCT photometry.



LUMINAIRE FINISH



*All premium & custom finishes are built & finished to order. These are subject to an extended lead time & MOQ

For 3000K Substitute XX with 30 | For 2700K Substitute XX with 27