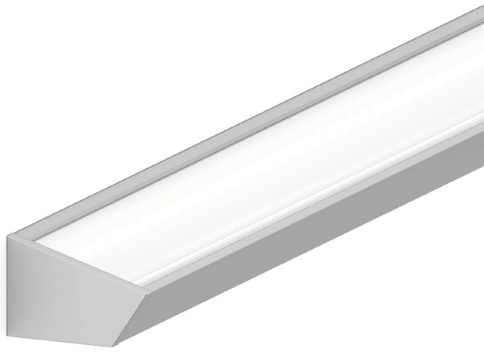
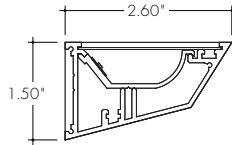
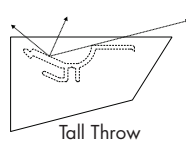
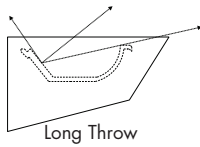


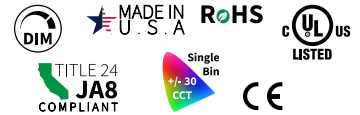
Features



- 24VDC Class 2 fixtures made to order up to 144". Fixtures can be linked up to 48' depending on output
- Suitable for wall mount applications
- Available with long throw and tall throw reflectors
- Class 2 listed for damp locations
- Dot free even illumination
- High Color Quality options offer premium quality and vibrant colors with R9 values up to 97
- High Efficacy options offer best in class output and efficacy with over 1000 lm/ft and over 130 lm/W
- Proprietary strong bond solder method handles up to 50 lbs of pull force on wire leads and connectors
- 5 Year warranty



Finish Options
 Paint Ready



Technical Information

TYPE	High Color Quality			High Efficacy				High Efficacy	
	72SO	72HO	72VHO	HE48LO	HE48SO	HE48MO	HE48HO	HE64VHO	HE64XHO
OUTPUT OPTIONS									
Lumens Output (3000K)	255 lm/ft	414 lm/ft	504 lm/ft	249 lm/ft	344 lm/ft	460 lm/ft	737 lm/ft	933 lm/ft	1050 lm/ft
Average Power Consumption (for a 4' section)	2.8 W/ft	4.8 W/ft	6.0 W/ft	1.9 W/ft	2.8 W/ft	3.5 W/ft	6.5 W/ft	7.5 W/ft	9.6 W/ft
Efficacy	91 lm/W	86 lm/W	84 lm/W	131 lm/W	123 lm/W	131 lm/W	113 lm/W	124 lm/W	109 lm/W
Max Run Length (in series)	40 ft	31 ft	22 ft	48 ft	42 ft	33 ft	21 ft	15 ft	13 ft

	CCT	Multiplier (ref. 3000K)	TM-30			
			CRI	R _f	R _g	R ₉
High Color Quality (72)	1900K	0.55	96	94	97	90
	2200K	0.70	96	95	101	89
	2400K	0.72	98	97	101	91
	2700K	0.74	97	96	101	91
	3000K	1.00	97	95	104	97
	3500K	1.02	97	94	105	97
High Efficacy (HE48/HE64)	4100K	1.07	97	90	99	97
	2700K	0.94	92	90	99	58
	3000K	1.00	92	89	99	57
	3500K	1.02	92	89	99	60
4000K	1.02	92	86	94	71	

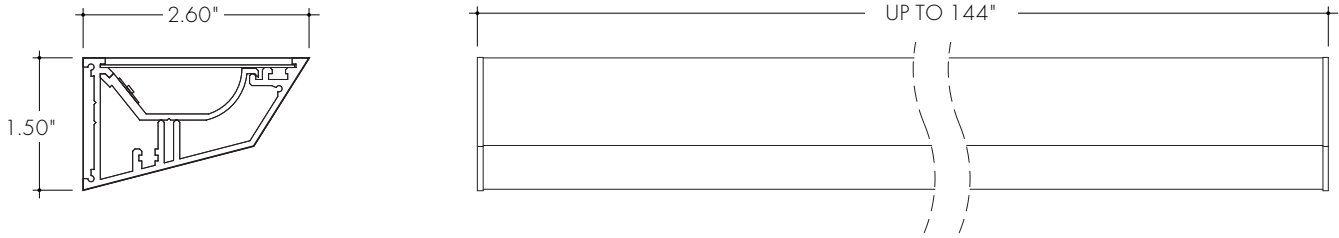
Ordering Code

MODEL	LENGTH ¹	OUTPUT ²	CCT	REFLECTOR	FINISH	LEFT END	RIGHT END	POSITION TYPE
M - mCove	12"-144" 1" increments	72SO - Standard 72HO - High 72VHO - Very High	19K - 1900K 22K - 2200K 24K - 2400K 27K - 2700K 30K - 3000K 35K - 3500K 41K - 4100K	LT - Long Throw TT - Tall Throw	PR - Paint Ready	LE - With End Cap LE - With End Cap LN - Without End Cap LN - Without End Cap	RE - With End Cap RN - Without End Cap RE - With End Cap RN - Without End Cap	BL - Back Left Powerfeed BR - Back Right Powerfeed BL - Back Left Powerfeed BR - Back Right Powerfeed NPF - No Powerfeed BL - Back Left Powerfeed BR - Back Right Powerfeed NPF - No Powerfeed
	12"-144" 2" increments	HE48LO - Low HE48SO - Standard HE48MO - Medium HE48HO - High HE64VHO - Very High HE64XHO - Max	27K - 2700K 30K - 3000K 35K - 3500K 40K - 4000K					

MODEL	CORNER TYPE	ANGLE	OUTPUT ²	CCT	REFLECTOR	FINISH	LEFT END	RIGHT END	POSITION TYPE
M - mCove	IC - Inner Corner OC - Outer Corner FC - Flat Corner	90 - 90° Corner C - Custom Angle Corner ³	72SO - Standard 72HO - High 72VHO - Very High	19K - 1900K 22K - 2200K 24K - 2400K 27K - 2700K 30K - 3000K 35K - 3500K 41K - 4100K	LT - Long Throw TT - Tall Throw	PR - Paint Ready	LE - With End Cap LE - With End Cap LN - Without End Cap LN - Without End Cap	RE - With End Cap RN - Without End Cap RE - With End Cap RN - Without End Cap	BL - Back Left Powerfeed BR - Back Right Powerfeed BL - Back Left Powerfeed BR - Back Right Powerfeed NPF - No Powerfeed BL - Back Left Powerfeed BR - Back Right Powerfeed NPF - No Powerfeed
			HE48LO - Low HE48SO - Standard HE48MO - Medium HE48HO - High HE64VHO - Very High HE64XHO - Max	27K - 2700K 30K - 3000K 35K - 3500K 40K - 4000K					

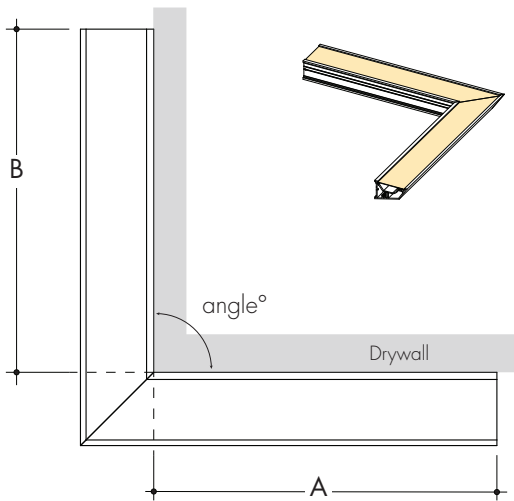
1 - Custom lengths and increments are available, please consult factory with specific request.
 2 - All High Color Quality and High Efficacy options can be used to comply with Title 24 JA8.
 3 - Custom Angle Corners are available, please contact factory with specific request.

Product Dimensions

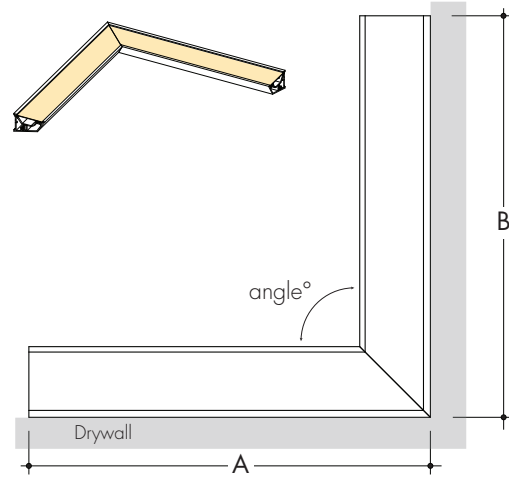


mCove Corner Options

M-OC
Outside Corner



M-IC
Inner Corner



High Color Quality

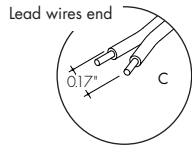
High Efficacy

High Efficacy

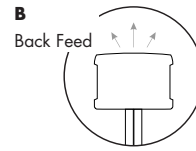
CORNER TYPE	Actual Length			Total Wattage			Actual Length			Total Wattage		
	A x B	72SO	72HO	72VHO	A x B	HE48LO	HE48SO	HE48MO	HE48HO	A x B	HE64VHO	HE64XHO
Outer Corner	11-15/16" x 11-15/16"	5.3 W	9.0 W	12.1 W	12-3/16" x 12-3/16"	3.4 W	4.9 W	6.4 W	13.2 W	12-8/16" x 12-8/16"	14.5 W	18.3 W
Inner Corner	11-7/16" x 11-7/16"	5.3 W	9.0 W	12.1 W	11-11/16" x 11-11/16"	3.4 W	4.9 W	6.4 W	13.2 W	12" x 12"	14.5 W	18.3 W

Powerfeeds & Connectors

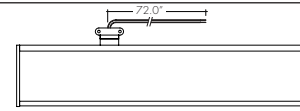
Linking and Extension Cable Options



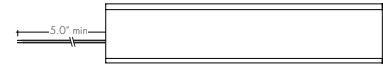
Powerfeeds Position/Type



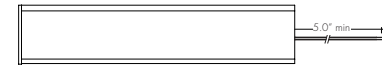
XX-B
72" wire leads



XX-LN
Left End Without Endcap, with lead wires

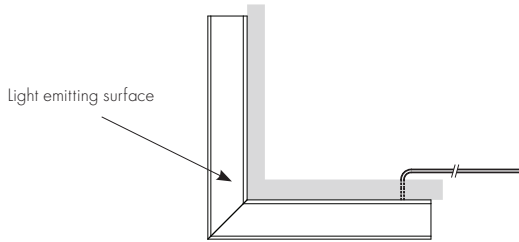


XX-RN
Right End Without Endcap, with lead wires

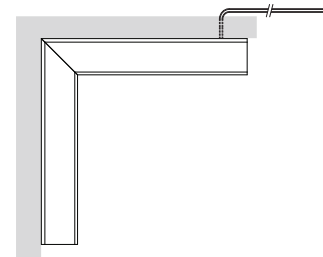


Power feed options for corner fixtures

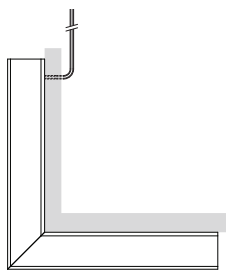
M-OC-XX-BR
Outside Corner, back right powerfeed



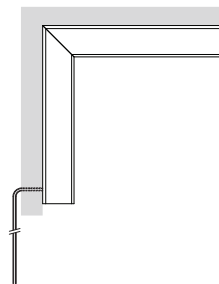
M-IC-XX-BR
Inside Corner, back right powerfeed



M-OC-XX-BL
Outside Corner, back left powerfeed



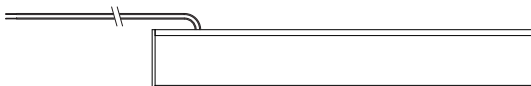
M-IC-XX-BL
Inside Corner, back left powerfeed



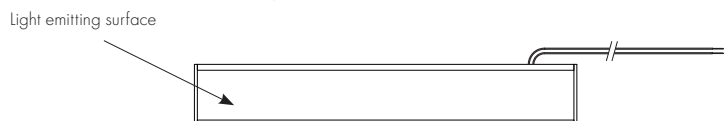
Top View

Power feed options for straight sections

M-XX-BL
Back left powerfeed

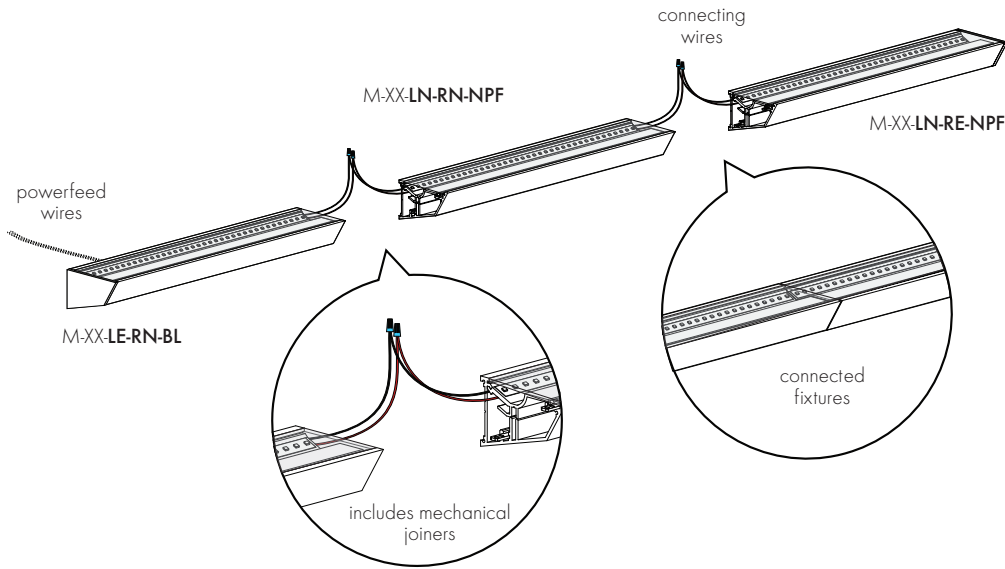


M-XX-BR
Back right powerfeed

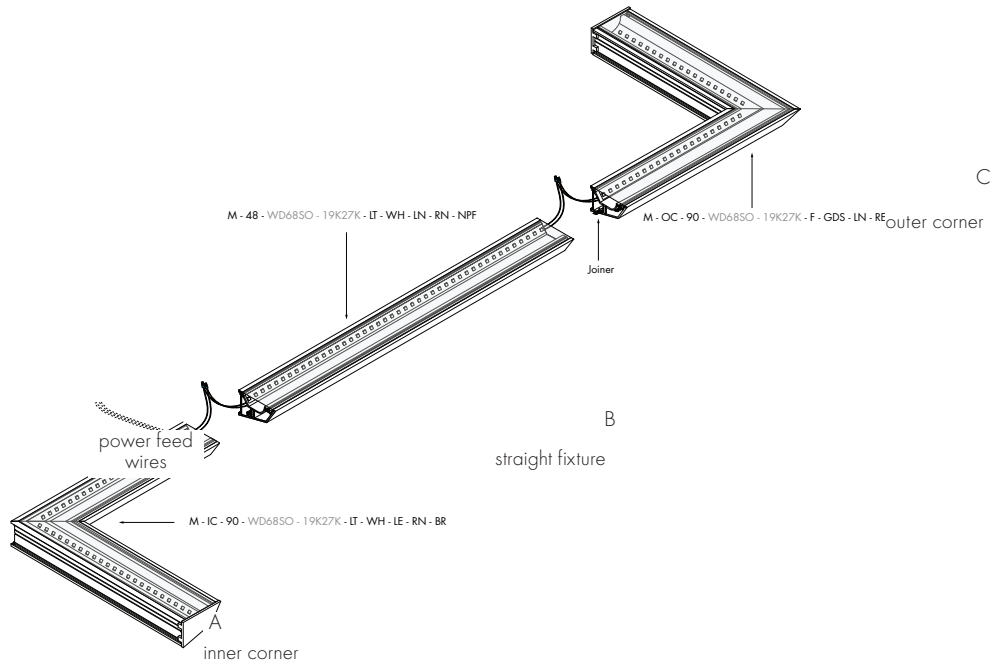


Sample Layouts

Sample layout of powerfeed connections



Layout example



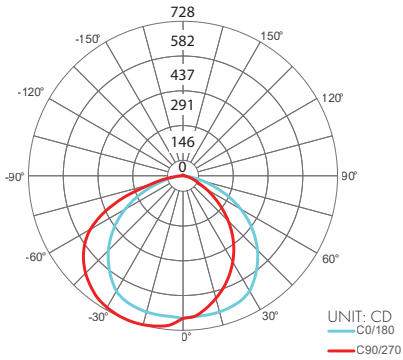
Example Ordering Codes for the Above Layout

Section	Ordering Code	Description
A	M - IC - 90 - 72SO - 30K - LT - WH - LE - RN - BR	90° inner corner, left end cap, no right end cap, power feed back right
B	M - 48 - 72SO - 30K - LT - WH - LN - RN - NPF	Straight run, no left end cap, no right end cap, no power feed
C	M - OC - 90 - 72SO - 30K - F - GDS - LN - RE - NPF	90° outer corner, no left end cap, right end cap, no power feed

Photometry

M-48-30K-72VHO-IT

M-Cove, 4ft, 3000K, VHO, Tall Throw Lens



Zonal Lumen Summary 3000K

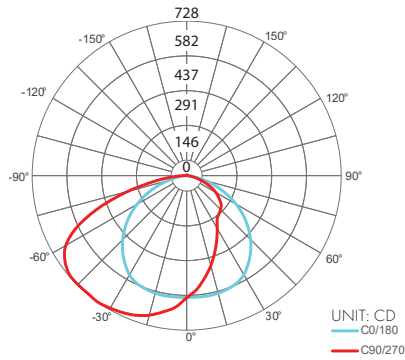
Zone	Lumen	% Fixture
0-30	450	23.1%
0-40	751	28.6%
0-60	1431	73.6%
0-90	1927	99.1%
0-180	1945	100.0%

Total



M-48-30K-72VHO-IT

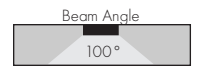
M-Cove, 4ft, 3000K, VHO, Long Throw Lens



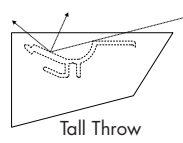
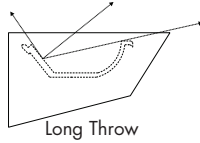
Zonal Lumen Summary 3000K

Zone	Lumen	% Fixture
0-30	450	23.1%
0-40	751	28.6%
0-60	1431	73.6%
0-90	1927	99.1%
0-180	1945	100.0%

Total



Reflector Options



Power Consumption

Tested at full power with PSD Series power supplies.

Standard Nominal Lengths offered provide minimal shadowing. For alternate lengths, please contact factory with specific request.

High Color Quality (72)

Nominal Length (in)	Actual Length	Watts			Nominal Length (in)	Actual Length	Watts			Nominal Length (in)	Actual Length	Watts			Nominal Length (in)	Actual Length	Watts		
		SO	HO	VHO			SO	HO	VHO			SO	HO	VHO			SO	HO	VHO
12	11 1/16	2.7	4.4	6.2	47	46 15/16	10.5	17.4	23.1	82	81 11/16	18.3	29.5	38.4	117	116 7/16	25.9	40.8	52.4
13	12 3/16	2.7	4.4	6.2	48	—	—	—	—	83	82 13/16	18.5	29.8	38.8	118	117 9/16	26.1	41.1	52.8
14	13 6/16	2.9	4.8	6.7	49	48 2/16	10.7	17.8	23.5	84	84	18.7	30.1	39.2	119	118 12/16	26.3	41.4	53.2
15	14 8/16	3.1	5.2	7.3	50	49 4/16	11.1	18.6	24.4	85	—	—	—	—	120	119 14/16	26.5	41.7	53.6
16	15 11/16	3.4	5.6	7.8	51	50 7/16	11.4	18.9	24.9	86	85 2/16	19.2	30.8	40.0	121	—	—	—	—
17	16 13/16	3.6	6.0	8.3	52	51 9/16	11.6	19.3	25.3	87	86 5/16	19.4	31.1	40.4	122	121 1/16	26.7	42.0	54.0
18	18	3.9	6.5	8.9	53	52 12/16	11.9	19.7	25.7	88	87 8/16	19.6	31.5	40.8	123	122 3/16	27.1	42.6	54.7
19	—	—	—	—	54	53 14/16	12.1	20.1	26.1	89	88 10/16	19.9	31.8	41.1	124	123 6/16	27.3	42.9	55.0
20	19 2/16	4.4	7.3	9.9	55	—	—	—	—	90	89 13/16	20.1	32.2	41.5	125	124 8/16	27.5	43.1	55.4
21	20 5/16	4.6	7.7	10.5	56	55 1/16	12.3	20.5	26.6	91	90 15/16	20.4	32.5	41.9	126	125 11/16	27.7	43.4	55.7
22	21 7/16	4.8	8.1	11.0	57	56 3/16	12.8	21.3	27.4	92	—	—	—	—	127	126 13/16	27.9	43.7	56.1
23	22 10/16	5.1	8.6	11.5	58	57 6/16	13.1	21.6	27.8	93	92 2/16	20.6	32.9	42.3	128	128	28.1	43.9	56.4
24	23 13/16	5.3	9.0	12.1	59	58 8/16	13.3	22.0	28.3	94	93 4/16	21.1	33.6	43.1	129	—	—	—	—
25	24 15/16	5.6	9.4	12.6	60	59 11/16	13.6	22.4	28.7	95	94 7/16	21.3	33.9	43.4	130	129 3/16	28.5	44.5	57.1
26	—	—	—	—	61	60 13/16	13.8	22.8	29.1	96	95 9/16	21.5	34.2	43.8	131	130 5/16	28.7	44.7	57.4
27	26 2/16	5.8	9.8	13.1	62	62	14.0	23.1	29.6	97	96 12/16	21.8	34.6	44.2	132	131 8/16	28.9	45.0	57.8
28	27 4/16	6.2	10.5	14.1	63	—	—	—	—	98	97 14/16	22.0	34.9	44.6	133	132 10/16	29.1	45.3	58.1
29	28 7/16	6.5	10.9	14.5	64	63 2/16	14.5	23.8	30.5	99	—	—	—	—	134	133 13/16	29.3	45.5	58.4
30	29 9/16	6.7	11.2	15.0	65	64 5/16	14.7	24.1	31.0	100	99 1/16	22.2	35.2	45.0	135	134 15/16	29.5	45.7	58.7
31	30 12/16	6.9	11.6	15.5	66	65 8/16	14.9	24.4	31.4	101	100 3/16	22.5	35.9	45.9	136	—	—	—	—
32	31 14/16	7.1	12.0	16.0	67	66 10/16	15.1	24.7	31.9	102	101 6/16	22.7	36.2	46.3	137	136 2/16	29.6	45.9	59.1
33	—	—	—	—	68	67 13/16	15.3	25.0	32.4	103	102 8/16	22.9	36.5	46.7	138	137 4/16	30.0	46.3	59.7
34	33 1/16	7.3	12.3	16.5	69	68 15/16	15.5	25.4	32.8	104	103 11/16	23.1	36.8	47.1	139	138 7/16	30.2	46.5	60.0
35	34 3/16	7.8	13.1	17.4	70	—	—	—	—	105	104 13/16	23.3	37.1	47.5	140	139 9/16	30.3	46.8	60.3
36	35 6/16	8.0	13.4	17.9	71	70 2/16	15.8	25.7	33.3	106	106	23.5	37.4	48.0	141	140 12/16	30.5	47.0	60.6
37	36 8/16	8.2	13.8	18.4	72	71 4/16	16.2	26.3	34.2	107	—	—	—	—	142	141 14/16	30.7	47.2	61.0
38	37 11/16	8.4	14.2	18.9	73	72 7/16	16.4	26.6	34.7	108	107 2/16	23.9	38.1	48.8	143	—	—	—	—
39	38 13/16	8.7	14.5	19.3	74	73 9/16	16.6	26.9	35.1	109	108 5/16	24.1	38.4	49.2	144	143 1/16	30.8	47.4	61.3
40	40	8.9	14.9	19.8	75	74 12/16	16.8	27.3	35.5	110	109 8/16	24.3	38.7	49.6					
41	—	—	—	—	76	75 14/16	17.1	27.6	35.9	111	110 10/16	24.5	39.0	50.0					
42	41 2/16	9.3	15.6	20.7	77	—	—	—	—	112	111 13/16	24.8	39.3	50.4					
43	42 5/16	9.6	16.0	21.2	78	77 1/16	17.3	27.9	36.3	113	112 15/16	25.0	39.6	50.8					
44	43 8/16	9.8	16.4	21.7	79	78 3/16	17.7	28.5	37.2	114	—	—	—	—					
45	44 10/16	10.0	16.7	22.1	80	79 6/16	17.9	28.9	37.6	115	114 2/16	25.2	39.9	51.2					
46	45 13/16	10.2	17.1	22.6	81	80 8/16	18.1	29.2	38.0	116	115 4/16	25.6	40.5	52.0					

Power Consumption

Tested at full power with PSD Series power supplies.

Standard Nominal Lengths offered provide minimal shadowing. For alternate lengths, please contact factory with specific request.

High Efficacy (HE48)

Nominal Length (in)	Actual Length	Watts				Nominal Length (in)	Actual Length	Watts				Nominal Length (in)	Actual Length	Watts				Nominal Length (in)	Actual Length	Watts			
		LO	SO	MO	HO			LO	SO	MO	HO			LO	SO	MO	HO			LO	SO	MO	HO
12	10 7/16	1.7	2.5	3.5	5.7	47	-	-	-	-	82	81 5/16	12.5	19.9	23.9	42.2	117	116 12/16	17.5	27.7	34.3	58.7	
13	12 7/16	1.7	2.5	3.5	5.7	48	47 14/16	7.1	11.2	13.9	25.4	83	-	-	-	-	118	-	-	-	-	-	
14	-	-	-	-	-	49	-	-	-	-	84	83 5/16	12.8	20.3	24.5	43.1	119	118 12/16	17.8	28.1	34.9	59.6	
15	14 6/16	2.0	3.0	4.0	7.2	50	49 13/16	7.4	11.7	14.5	26.3	85	-	-	-	-	120	-	-	-	-	-	
16	-	-	-	-	-	51	-	-	-	-	86	85 4/16	13.1	20.8	25.1	44.1	121	120 11/16	18.1	28.6	35.5	60.5	
17	16 6/16	2.4	3.5	4.6	8.7	52	51 13/16	7.7	12.3	15.1	27.4	87	-	-	-	-	122	-	-	-	-	-	
18	-	-	-	-	-	53	-	-	-	-	88	87 4/16	13.4	21.3	25.7	45.0	123	122 11/16	18.3	29.0	36.0	62.1	
19	18 5/16	2.7	3.9	5.2	10.2	54	53 12/16	8.0	12.9	15.7	28.5	89	-	-	-	-	124	-	-	-	-	-	
20	-	-	-	-	-	55	-	-	-	-	90	89 3/16	13.7	21.7	26.3	46.0	125	124 10/16	18.4	29.5	36.6	63.8	
21	20 5/16	3.0	4.4	5.8	11.7	56	55 12/16	8.4	13.5	16.4	29.5	91	-	-	-	-	126	-	-	-	-	-	
22	-	-	-	-	-	57	-	-	-	-	92	91 3/16	14.0	22.1	26.9	47.0	127	126 10/16	18.6	29.9	37.2	65.4	
23	22 4/16	3.4	4.9	6.4	13.2	58	57 11/16	8.7	14.0	17.0	30.6	93	-	-	-	-	128	-	-	-	-	-	
24	-	-	-	-	-	59	-	-	-	-	94	93 2/16	14.3	22.6	27.5	47.9	129	128 9/16	18.8	30.4	37.7	67.0	
25	24 4/16	3.7	5.4	7.0	14.7	60	59 11/16	9.0	14.6	17.6	31.6	95	-	-	-	-	130	-	-	-	-	-	
26	-	-	-	-	-	61	-	-	-	-	96	95 2/16	14.4	22.8	27.8	48.4	131	130 9/16	18.9	30.8	38.3	68.6	
27	26 3/16	4.1	5.9	7.5	15.8	62	61 10/16	9.4	15.2	18.2	32.6	97	-	-	-	-	132	-	-	-	-	-	
28	-	-	-	-	-	63	-	-	-	-	98	97 1/16	14.7	23.3	28.5	49.4	133	132 8/16	19.1	31.2	38.9	70.2	
29	28 3/16	4.4	6.4	8.1	16.8	64	63 10/16	9.7	15.6	18.7	33.7	99	-	-	-	-	134	-	-	-	-	-	
30	-	-	-	-	-	65	-	-	-	-	100	99 1/16	15.0	23.7	29.0	50.4	135	134 8/16	19.3	31.8	39.4	70.7	
31	30 2/16	4.8	6.9	8.7	17.9	66	65 9/16	10.0	16.1	19.2	34.7	101	-	-	-	-	136	-	-	-	-	-	
32	-	-	-	-	-	67	-	-	-	-	102	101	15.3	24.1	29.6	51.3	137	136 7/16	19.5	32.3	40.0	71.2	
33	32 2/16	5.0	7.2	9.0	18.5	68	67 9/16	10.4	16.5	19.8	35.7	103	103	15.6	24.6	30.2	52.3	138	-	-	-	-	-
34	-	-	-	-	-	69	-	-	-	-	104	-	-	-	-	-	139	138 7/16	19.8	32.8	40.6	71.8	
35	34 1/16	5.4	7.7	9.6	19.5	70	69 8/16	10.7	17.0	20.3	36.7	105	104 15/16	15.8	25.0	30.7	53.2	140	-	-	-	-	-
36	-	-	-	-	-	71	-	-	-	-	106	-	-	-	-	-	141	140 6/16	20.0	33.3	41.1	72.3	
37	36 1/16	5.7	8.2	10.2	20.6	72	71 8/16	11.0	17.4	20.8	37.7	107	106 15/16	16.1	25.5	31.3	54.2	142	-	-	-	-	-
38	-	-	-	-	-	73	-	-	-	-	108	-	-	-	-	-	143	142 6/16	20.2	33.9	41.7	72.8	
39	38	6.0	8.7	10.8	21.5	74	73 7/16	11.3	17.9	21.4	38.7	109	108 14/16	16.4	25.9	31.9	55.2	144	-	-	-	-	-
40	40	6.2	9.2	11.4	22.3	75	-	-	-	-	110	-	-	-	-	-	-	-	-	-	-	-	-
41	-	-	-	-	-	76	75 7/16	11.6	18.4	22.0	39.6	111	110 14/16	16.7	26.4	32.5	56.1	-	-	-	-	-	-
42	41 15/16	6.4	9.7	12.0	23.1	77	-	-	-	-	112	-	-	-	-	-	-	-	-	-	-	-	-
43	-	-	-	-	-	78	77 6/16	11.9	18.9	22.7	40.5	113	112 13/16	17.0	26.8	33.1	57.0	-	-	-	-	-	-
44	43 15/16	6.7	10.2	12.6	23.9	79	-	-	-	-	114	-	-	-	-	-	-	-	-	-	-	-	-
45	-	-	-	-	-	80	79 6/16	12.2	19.4	23.3	41.4	115	114 13/16	17.3	27.3	33.7	57.9	-	-	-	-	-	-
46	45 14/16	6.9	10.7	13.3	24.7	81	-	-	-	-	116	-	-	-	-	-	-	-	-	-	-	-	-

Power Consumption

Tested at full power with PSD Series power supplies.

Standard Nominal Lengths offered provide minimal shadowing. For alternate lengths, please contact factory with specific request.

High Efficacy (HE64)

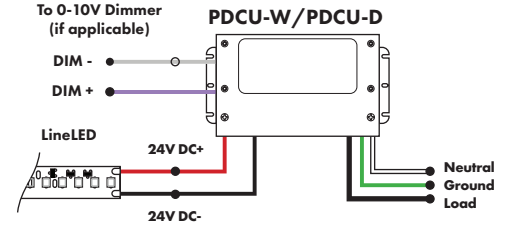
Nominal Length (in)	Actual Length	Watts		Nominal Length (in)	Actual Length	Watts		Nominal Length (in)	Actual Length	Watts		Nominal Length (in)	Actual Length	Watts	
		VHO	XHO			VHO	XHO			VHO	XHO			VHO	XHO
12	11 4/16	7.6	9.7	47	46 1/16	28.2	35.9	82	–	–	–	117	–	–	–
13	12 12/16	7.6	9.7	48	47 9/16	29.5	37.6	83	82 6/16	51.7	63.4	118	117 4/16	72.8	80.7
14	–	–	–	49	–	–	–	84	83 15/16	52.3	63.8	119	118 12/16	73.3	81.0
15	14 4/16	8.9	11.3	50	49 1/16	30.1	38.4	85	–	–	–	120	–	–	–
16	15 12/16	9.5	12.1	51	50 10/16	31.4	40.2	86	85 7/16	53.6	64.7	121	120 4/16	74.4	81.7
17	–	–	–	52	–	–	–	87	86 15/16	54.2	65.3	122	121 12/16	74.8	82.0
18	17 5/16	10.7	13.6	53	52 2/16	32.0	41.1	88	–	–	–	123	–	–	–
19	18 13/16	11.4	14.4	54	53 10/16	33.3	42.9	89	88 7/16	55.5	66.3	124	123 4/16	75.6	82.5
20	–	–	–	55	–	–	–	90	89 15/16	56.2	66.8	125	124 13/16	76.0	82.8
21	20 5/16	12.6	16.0	56	55 2/16	34.0	43.8	91	–	–	–	126	–	–	–
22	21 13/16	13.2	16.8	57	56 10/16	35.2	45.5	92	91 8/16	57.5	67.9	127	126 5/16	76.8	83.4
23	–	–	–	58	–	–	–	93	93	58.2	68.4	128	127 13/16	77.2	83.6
24	23 5/16	14.5	18.3	59	58 3/16	36.5	47.3	94	–	–	–	129	–	–	–
25	24 14/16	15.1	19.1	60	59 11/16	37.2	48.2	95	94 8/16	59.5	69.5	130	129 5/16	78.0	84.2
26	–	–	–	61	–	–	–	96	–	–	–	131	130 14/16	78.4	84.5
27	26 6/16	16.4	20.7	62	61 3/16	38.4	50.0	97	96	60.1	70.0	132	–	–	–
28	27 14/16	17.0	21.4	63	62 11/16	39.1	50.8	98	97 9/16	61.4	71.1	133	132 6/16	79.2	85.0
29	–	–	–	64	–	–	–	99	–	–	–	134	133 14/16	79.6	85.4
30	29 6/16	18.2	23.0	65	64 4/16	40.4	52.5	100	99 1/16	62.0	71.7	135	–	–	–
31	30 15/16	18.9	23.8	66	65 12/16	41.0	53.4	101	100 9/16	63.2	72.9	136	135 6/16	80.3	86.2
32	–	–	–	67	–	–	–	102	–	–	–	137	136 14/16	80.6	86.6
33	32 7/16	20.1	25.3	68	67 4/16	42.3	55.1	103	102 1/16	63.8	73.5	138	–	–	–
34	33 15/16	20.7	26.1	69	68 12/16	42.9	55.9	104	103 9/16	65.0	74.7	139	138 7/16	81.3	87.5
35	–	–	–	70	–	–	–	105	–	–	–	140	139 15/16	81.7	87.9
36	35 7/16	22.0	27.6	71	70 4/16	44.2	57.6	106	105 2/16	65.6	75.3	141	–	–	–
37	36 15/16	22.6	28.4	72	71 13/16	44.9	58.5	107	106 10/16	66.8	76.5	142	141 7/16	82.4	88.7
38	–	–	–	73	–	–	–	108	–	–	–	143	142 15/16	82.7	89.1
39	38 8/16	23.9	30.1	74	73 5/16	46.1	59.7	109	108 2/16	67.4	77.1	144	–	–	–
40	40	24.5	30.9	75	74 13/16	46.7	60.1	110	109 10/16	68.5	78.0				
41	–	–	–	76	–	–	–	111	–	–	–				
42	41 8/16	25.7	32.6	77	76 5/16	48.0	60.9	112	111 3/16	69.6	78.7				
43	–	–	–	78	77 14/16	48.6	61.3	113	112 11/16	70.1	79.0				
44	43	26.4	33.4	79	–	–	–	114	–	–	–				
45	44 9/16	27.6	35.1	80	79 6/16	49.8	62.2	115	114 3/16	71.2	79.7				
46	–	–	–	81	80 14/16	50.4	62.6	116	115 11/16	71.7	80.0				

Power Supplies

See Power Supply instructions and spec sheet for wiring information. For a complete list of compatible dimmers, see Compatible Dimming Chart on the Resources page.

Universal Power Supply 1% 120VAC - 277VAC

MODEL	POWER	OUTPUT
PDCU-D - IP20 Dry Series	30 - 30 W 60 - 60 W 96 - 96 W 3X96 - 3X96 W	24 - 24 VDC
PDCU-W - IP66 Wet Series	96 - 96 W 3X96 - 3X96 W	

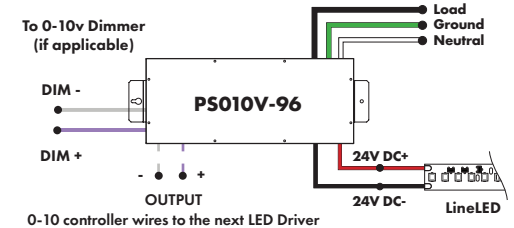


0-10V dims down to 1%, MLV/ELV/TRIAC dims down to 1%.
For a complete list of compatible dimmers, see [Compatible Dimming Chart](#) on the Resources page.

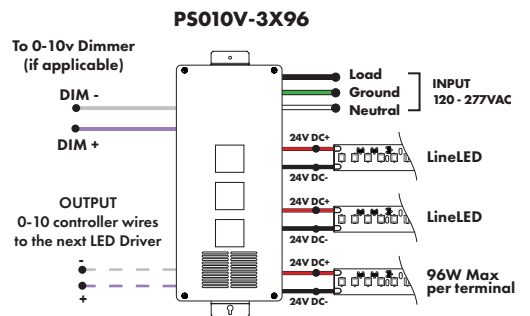
MODELS	PDCU-W 96W	PDCU-W 3X96W	PDCU-D 30W	PDCU-D 60W	PDCU-D 96W	PDCU-D 3X96W
Length	8.66"	11.85"	6.10"	7.93"	8.25"	9.57"
Width	3.73"	4.32"	3.35"	3.35"	4.10"	5.94"
Depth	1.61"	1.81"	1.33"	1.32"	1.56"	1.13"

0-10V Dimming Power Supplies 0.1% 120VAC - 277VAC

MODEL	POWER	OUTPUT	DIMMING
PS010V - 0-10V Power Supply dims down to 0.1%	96 - 96 Watt 3X96 - 3 X 96 Watt	24 - 24 VDC	LIN - Linear LOG - Logarithmic



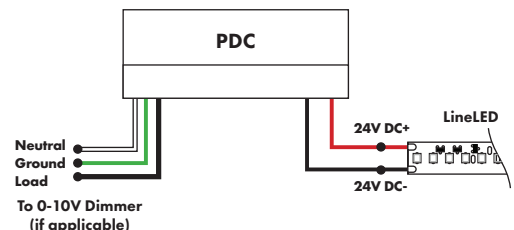
MODELS	96W	3X96
Length	14.40"	15.75"
Width	5.20"	6.62"
Depth	2.60"	4.95"



Triac, MLV, & ELV Compatible Dimmers

MODEL	POWER	OUTPUT
PDC - (IP20) Power Supply	96 - 96 Watts	24 - 24 VDC

MODELS	96W
Length	8.25"
Width	4.10"
Depth	1.56"



Power Supplies

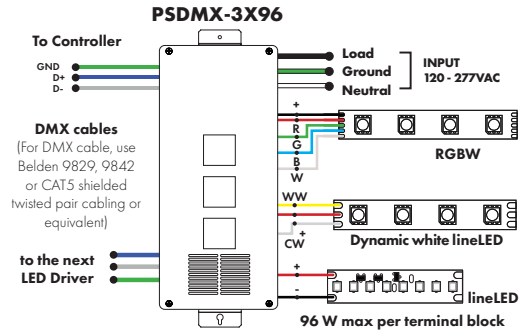
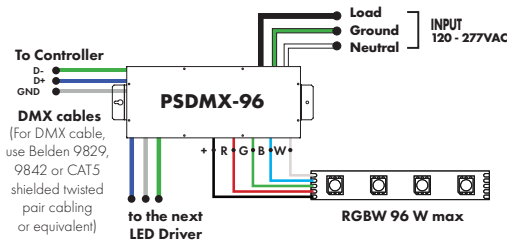
See Power Supply instructions and spec sheet for wiring information. For a complete list of compatible dimmers, see Compatible Dimming Chart on the Resources page.

DMX Dimming Power Supplies 120VAC - 277VAC

MODEL	POWER	OUTPUT
PSDMX - DMX Power Supply dims down to 0%	96 - 96 Watt 3X96 - 3 X 96 Watt	24 - 24 VDC

Features eldoLED's LINEARdrive configurable dimmable drivers

MODELS	96W	3X96
Length	14.40"	15.75"
Width	5.20"	6.62"
Depth	2.60"	4.95"

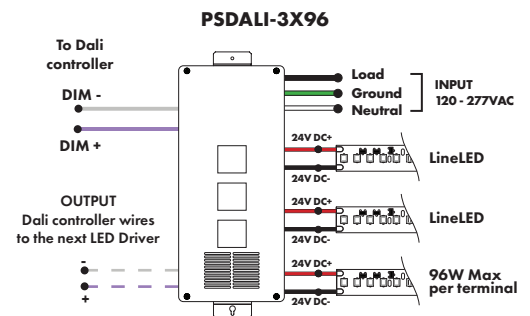
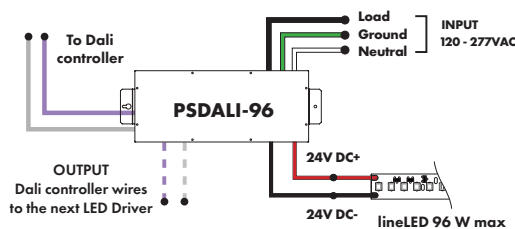


DALI 0% Dimming Power Supplies 120VAC - 277VAC

MODEL	POWER	OUTPUT
PSDALI - DALI Power Supply dims down to 0%	96 - 96 Watt 3X96 - 3 X 96 Watt	24 - 24 VDC

Features eldoLED's LINEARdrive configurable dimmable drivers

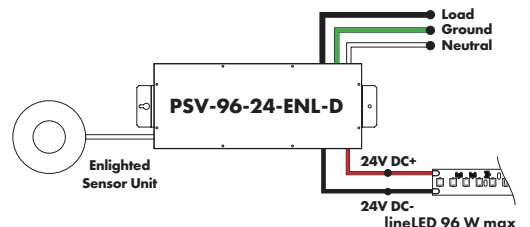
Model	96W	3X96
Length	14.40"	15.75"
Width	5.20"	6.62"
Depth	2.60"	4.95"



Enlighted Enabled Dimming Power Supplies 120VAC - 277VAC

MODEL	POWER	OUTPUT	DIMMING	LOCATION
PSV - PSV Series	96 - 96 Watt	24 - 24 VDC	ENL - Enlighted Dimming dims down to 0%	D - Damp

Model	96W
Length	14.40"
Width	5.20"
Depth	2.60"



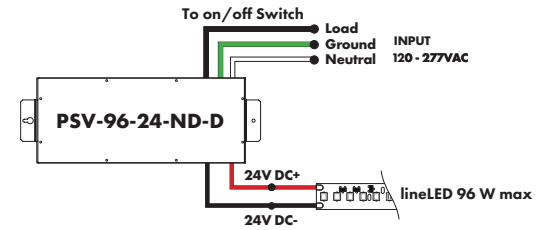
Power Supplies

See Power Supply instructions and spec sheet for wiring information. For a complete list of compatible dimmers, see Compatible Dimming Chart on the Resources page.

Non-Dimming Power Supply 120VAC - 277VAC

MODEL	POWER	OUTPUT	DIMMING	LOCATION
PSV - PSV Series	96 - 96 Watt	24 - 24 VDC	ND - Non Dimming	D - Damp

MODELS	96W
Length	14.40"
Width	5.20"
Depth	2.60"



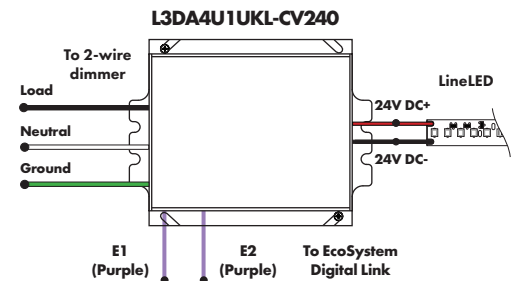
Luminii is a Lutron OEM Advantage Partner

Lutron Power Supplies 1%

MODEL
L3DA4U1UKL-CV240

HiLume™ 1% EcoSystem Voltage LED driver
40W max

MODELS	L3DA4U1UKL-CV240
Length	4.98"
Width	4.00"
Depth	2.62"



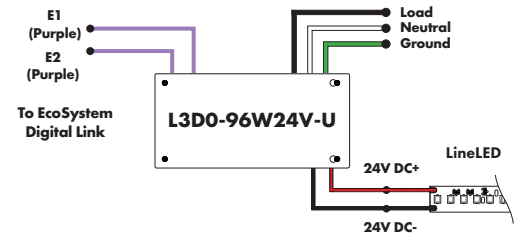
Luminii is a Lutron OEM Advantage Partner

Lutron Power Supplies 0.1%

MODEL
L3D0-96W24V-U

HiLume™ 0.1% EcoSystem Voltage LED Driver with Soft-On, Fade-to-Black™
96W max

MODELS	L3D0
Length	10.50"
Width	5.50"
Depth	2.00"



In-Ground Power Supplies

MODEL	POWER	OUTPUT	INPUT
IG - In ground CVE Series CVE - ELV Dimming DALI - eidoLED Dali dimming Both dims down to 0%	96X2 - 2 X 96 Watt	24 - 24 VDC	Blank - 120 V 277 - 240/277 V

MODELS	Dual Circuit
Length	8.40"
Width	8.30"
Depth	8.10"

