

Features

The mCAL Channel is a linear aluminum extrusion that has been designed to fit surface mounted cove applications. Multiple reflector options allow for great flexibility and adaptability for any application. Also includes clear cover to avoid any debris from entering the extrusion. Extrusion is field cuttable. Substantial aluminum mass in profile provides excellent heat sink for high power LEDs.

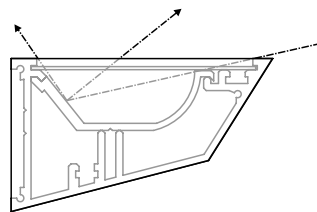
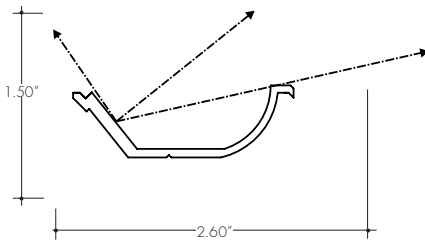
Finish

Paint ready

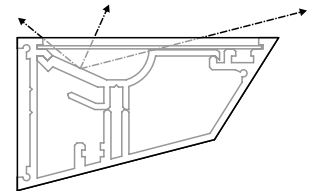
Diffuser Lens

Polycarbonate, slide-in-place, UV resistant

Product Dimensions



with Long Reflector,
Clear Cover & End Cap



with Tall Reflector,
Clear Cover & End Cap

	Lens Options
Actual Length	-72" -144"
Available Lenses	Clear

Ordering Code

MODEL	LENGTH	REFLECTOR	LENS	FINISH
MCAL	72	LT	C	PR

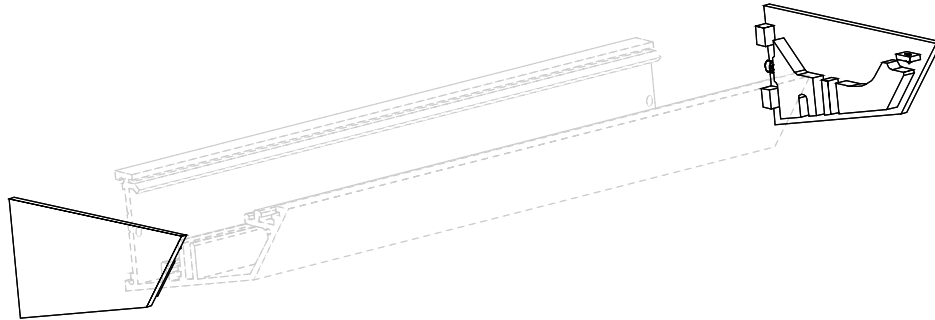
MCAL - MCAL Aluminum Extrusion 72 - 72"
144 - 144"¹ LT - Long Throw C - Clear PR - Paint Ready
TT - Tall Throw

1 - For Channels and lenses over 90", incremental shipping charges will apply.

Accessories

Accessories sold separately.

mCAL Channel End Caps



ORDERING CODE

EC-MCAL-LR-PR

EC-MCAL-LR-PR - End Caps - Includes a left and right end cap

mCAL Channel Straight Joiner

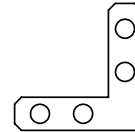


ORDERING CODE

MCAL-SJ

MCAL-SJ - Straight Joiner, 1 set of 2 needed per connection

mCAL Channel 90° Joiner

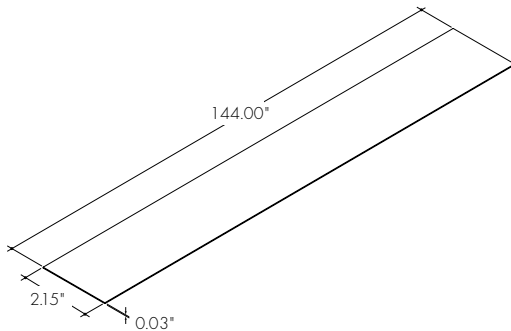


ORDERING CODE

MCAL-90J

MCAL-90J - 90° Joiner, 1 set of 2 needed per connection

mCAL Channel Clear Lens



ORDERING CODE

MCAL-C-144

MCAL-C-144 - Clear Lens, 144"

*Standard included on MCAL order code