

# LETO 11 WM UD Wet

WET RATED WALL MOUNTED LED UPLIGHT AND DOWNLIGHT



**Leto 11 WM UD Wet - Wet Rated Wall Mount LED Light.** LETO 11 WM UD Wet is a wet rated version of the Leto 11 WM UD designed to provide a spaces that require wet ratings with direct lighting. It is the perfect solution for creating subtle light in your space.

## Ordering Code

Fixture	<b>748</b>							
	1	2	3	4	5	6	7	8
Driver			--	--				
	1	2	3	4				

## Product Specifications

SAMPLE: Fixture **748 - A90 - 61017 - 27 - 0707 - CL - 08 - 02** | Driver **910 - STD - 120 - A90 - 07**

1 - Model	2 - LED	3 - Optic	4 - CCT	5 - Lumen	6 - Accessory
<b>748</b> · Leto 11 WM UD Wet Rated	<b>A90</b> · 93+ CRI Accuracy	<i>Down Faceted</i> <i>Up</i> <b>610</b> · 10° <b>17</b> · 17° <b>618</b> · 18° <b>24</b> · 24° <b>630</b> · 30° <b>60</b> · 60° <b>645</b> · 45° <b>660</b> · 60°  <i>Down Smooth</i> <b>630S</b> · 30° <b>645S</b> · 45°	<b>25</b> · 2500K <b>27</b> · 2700K <b>30</b> · 3000K <b>35</b> · 3500K <b>40</b> · 4000K <b>65</b> · 6500K	<i>Direct / Indirect</i> <b>0707</b> · 700/700 <b>1010</b> · 1000/1000  <small>For other direct / indirect possibilities please contact factory team</small> Wattage on page 3	<b>CL</b> · Clear Lens <b>DL</b> · Diffusing Lens

7 - Body Color		8 - Baffle Color		1 - Housing	2 - Driver	Dim Level
<i>Standard</i>	<i>Premium</i>	<i>Standard</i>	<i>Premium</i>	<b>910</b> · Remote Driver Housing	<b>STD</b> · Non Dimming	N/A
<b>01</b> · White	<b>52</b> · Mocha	<b>01</b> · White	<b>52</b> · Mocha		<b>LCS</b> · 0 - 10 Volt Protocol	1%
<b>02</b> · Black	<b>53</b> · Charcoal	<b>02</b> · Black	<b>53</b> · Charcoal		<b>DIM</b> · Phase <sup>*1/2</sup>	1%
<b>08</b> · Silver	<b>54</b> · Cerulean	<b>08</b> · Silver	<b>54</b> · Cerulean		<b>ELDOLC</b> · EldoLED 0 - 10 Volt <sup>*2</sup>	0.1%
	<b>55</b> · Firebrick		<b>55</b> · Firebrick		<b>DALI</b> · Dali Protocol <sup>*2</sup>	0.1%
	<b>XX</b> · RAL		<b>XX</b> · RAL		<b>LUTES</b> · Hilume Ecodigital <sup>*2</sup>	1%
					<b>DMX</b> · SENSO <sup>*2</sup>	
					<b>EMG</b> · Emergency Driver <sup>*2/3</sup>	
					<b>CSMB</b> · Casambi Wireless Control <sup>*2/3</sup>	

3 - Voltage	4 - LED	5 - Lumen		
<b>120</b> · 120V <b>277</b> · 277V <b>347</b> · 347V <sup>*2/4</sup>	Same as Fixture	Same as Fixture	*1 120V only *2 remote mount *3 second driver required *4 not available with ELDO, Lutron or DMX	Project : _____ Quantity : _____ Type : _____ Notes : _____

# LETO 11 WM UD Wet

WET RATED WALL MOUNTED LED UPLIGHT AND DOWNLIGHT



## Reflectors

Senso metal spun faceted reflectors are specifically designed to retain as much light as possible. This results in a more power efficient fixture with a higher delivered lumen.

**Faceted Reflector**



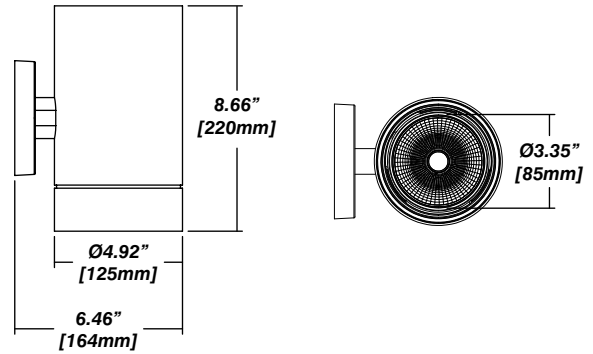
## Installation

- Mounting plate included
- Easy, single motion installation method

## Construction / Finish

- High quality, scratch resistant powder coated finish in standard, premium or custom colors
- Aluminum extruded Body
- Made in Canada

## Dimensions



## Accessories

**Clear Lens**



**Diffusing Lens**



# LETO 11 WM UD Wet



WET RATED WALL MOUNTED LED UPLIGHT AND DOWNLIGHT

## Photometrics

Senso's in-house photometric testing ensures that our lighting design can match your needs precisely. Our Goniophotometer and testing lab produces on-demand photometry files based on any specified fixture, including LM-79 Test reports, IES Files, and CRI/CCT measurements. See [Sensolighting.com](http://Sensolighting.com) for more information.

*\*Full photometric Reports and IES files available for every configuration*

## Color Metrics

### TM 30-15

Our clients deserve the best information possible about their lighting choices. That's why Senso has invested in the Illuminating Engineering Society (IES) TM 30-15, a new system that measures an LED light source's color rendering properties. Using Senso's state-of-the-art goniophotometer, this method identifies the optimal light source for your project and helps evaluate the trade-offs between efficacy and color rendering. Senso can provide TM 30-15 data for all of our products.

*\*Full Color Metric Info Available at [Sensolighting.com](http://Sensolighting.com)*

## LED Module Performance

**Output:** Up to 104 lumen/Watt

**Efficacy:** Color consistency within a 3-MacAdam Ellipse

**CCT:** 2500K - 6500K

**Color Rendering:** 93+ CRI

**Min. R Values:** R<sup>9</sup> - 60 R<sup>f</sup> - 90 R<sup>a</sup> - 100

## Driver and Power Consumption

**Dimming:** 1% dimming standard with 0.1% option  
Casambi wireless control available

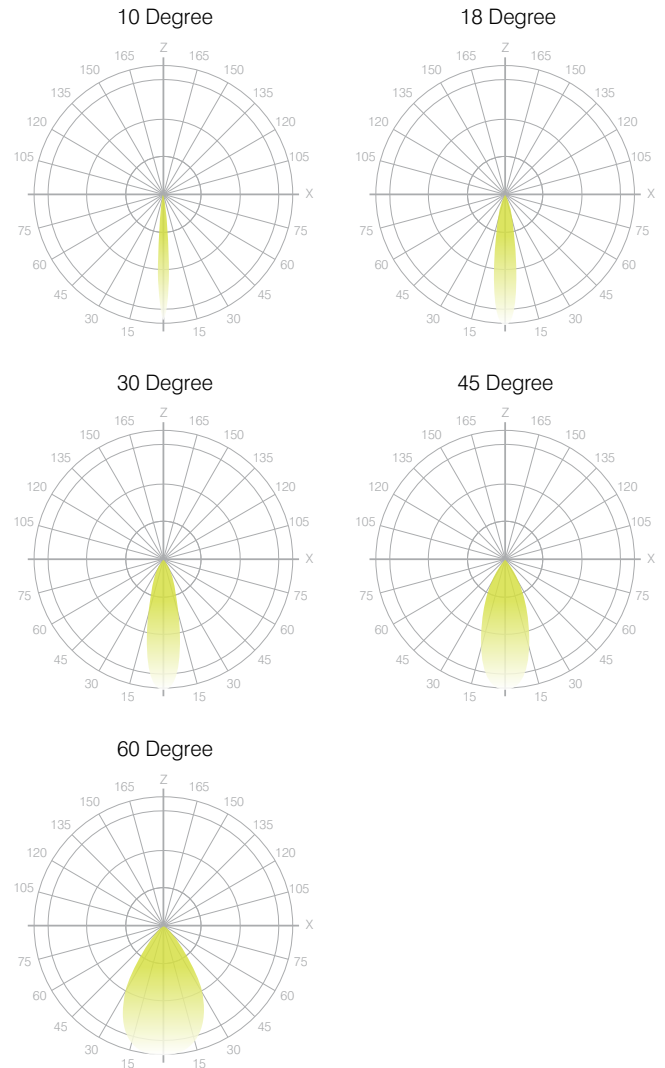
**Ripple:** Industry leading Low ripple

**Efficiency:** Power Factor >0.9  
Efficiency over 85%  
Class 2 output for safety

**Installation:** Remote mounted

<b>Lumen Option</b>	700/700	1000/1000
<b>Fixture Wattage</b>	12.2W	18.2W
<b>Delivered Lumen</b>	1270lm	1851lm

## Leto Light Distribution: Reflector



# LETO 11

FAMILY

