

LETO 11 A

ASYMMETRIC LED DOWNLIGHT



Leto 11 A - Asymmetric Pendant LED Light. Leto 11 A is ideal when you need to draw attention to a wall mounted subject. It is best suited for use in Art Galleries, Museums, or to accentuate home decor.

Ordering Code

Fixture	695A		--					
	1	2	3	4	5	6	7	8
Driver							--	--
	1	2	3	4	5	6	7	8

Product Specifications

SAMPLE: Fixture **695A - A90 - --- - 27 - 07 - DL - 08 - 08** | Driver **952 - 01 - 00 - 01 - LCS - 120 - A90 - 07**

1 - Model	2 - LED	3 - Optic	4 - CCT	5 - Lumen	6 - Accessory
695A · Leto 11 A	A90 · 93+ CRI Accuracy	Leto 11 A is equipped with a fixed beam spread. For other optics please contact SENS0.	25 · 2500K 27 · 2700K 30 · 3000K 35 · 3500K 40 · 4000K 65 · 6500K	07 · 700 (6.1W) 10 · 1000 (9.1W) 13 · 1300 (14W)	DL · Diffusing Lens

7 - Body Color		8 - Baffle Color		1 - Canopy Style	2 - Canopy Color		3 - Suspension (6' incl.)
<i>Standard</i>	<i>Premium</i>	<i>Standard</i>	<i>Premium</i>	951 · Round 951F · Round Flangeless 952 · Square	<i>Standard</i>	<i>Premium</i>	02 · 2 Aircraft + Feed Cable 03 · Solid Stem (6' MAX) 04 · Hang Straight Solid Stem 05 · 2 Powered Aircraft ^{*1} <i>Contact Senso for custom length</i>
01 · White 02 · Black 08 · Silver	52 · Mocha 53 · Charcoal 54 · Cerulean 55 · Firebrick XX · RAL	01 · White 02 · Black 08 · Silver	52 · Mocha 53 · Charcoal 54 · Cerulean 55 · Firebrick XX · RAL		01 · White 02 · Black 08 · Silver	52 · Mocha 53 · Charcoal 54 · Cerulean 55 · Firebrick XX · RAL	

4 - Suspension Color	5 - Driver		Dim Level		6 - Voltage	7 - LED	8 - Lumen
00 · None ^{*1} 01 · White 02 · Black 03 · Clear XX · Custom	STD · Non Dimming LCS · 0 - 10 Volt Protocol DIM · Phase ^{*2} ELDOLC · EldoLED 0 - 10 Volt ^{*3} DALI · Dali Protocol ^{*3}	N/A 1% 1% 0.1% 0.1%	LUTES · Hilume Ecodigital ^{*3} LUT2W · 2 Wire for phase ^{*2/3} DMX · Senso ^{*5} EMG · Emergency Driver ^{*5/6} CSMB · Casambi Wireless Control ^{*5/6}	1% 1%	120 · 120V 277 · 277V 347 · 347V ^{*4}	Same as Fixture	Same as Fixture

*1 no suspension color option for **05** - 2 Powered Aircraft
*2 120V only
*3 requires square canopy

*4 remote mount driver
*5 second driver required
*6 not available with ELDO, Lutron or DMX

LETO 11 A

ASYMMETRIC LED DOWNLIGHT

Canopy / Suspension

Round Canopy: W - Ø5.17" [131.24 mm] / H - 2.36" [60mm]

Drivers mounted in the Round Canopy: **STD, LCS, DIM**

Drivers remote mounted: **ELDOLC, DALI, LUTES, LUTW2, DMX, EMG, CSMB**

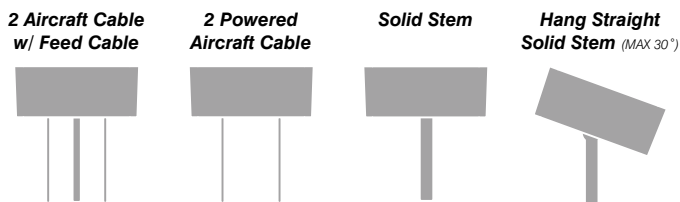
Square Canopy: W/L - 5.67" [144mm] / H - 2.28" [58mm]

Drivers mounted in the Square Canopy: **STD, LCS, DIM, ELDOLC, DALI, LUTES**

Drivers remote mounted: **DMX, EMG, CSMB**

Round Flangless: W - Ø2.53" [64.25 mm]

All drivers remote mount



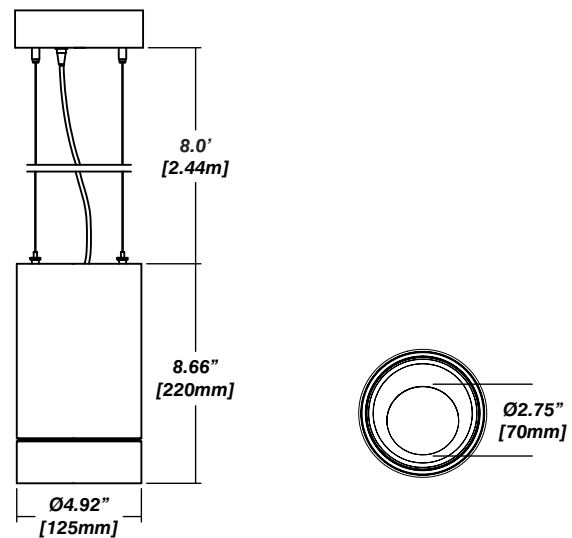
Installation

- The included canopy fits on a standard junction box
- Height adjustable aircraft cable and feed cable included
- Electrical feed cable included

Construction / Finish

- High quality, scratch resistant powder coated finish in standard, premium or custom colors
- Aluminum extruded Body
- Made in Canada

Dimensions



Reflector

Senso metal spun faceted reflectors are specifically designed to retain as much light as possible. This results in a more power efficient fixture with a higher delivered lumen.



LED Module Performance

Output: Up to 113 lumen/Watt

Efficacy: Color consistency within a 3-MacAdam Ellipse

CCT: 2500K - 6500K

Color Rendering: 93+ CRI

Min. R Values: R⁹ - 60 R^r - 90 R⁹ - 100

Driver and Power Consumption

Dimming: 1% dimming standard with 0.1% option
Casambi wireless control available

Ripple: Industry leading Low ripple

Efficiency: Power Factor >0.9

Efficiency over 85%

Class 2 output for safety

Installation: Remote mounted

Lumen Option	700lm	1000lm	1300lm
Fixture Wattage	6.1W	9.1W	14W
Delivered Lumen	656lm	1035lm	1347lm

Photometrics

Senso's in-house photometric testing ensures that our lighting design can match your needs precisely. Our Goniophotometer and testing lab produces on-demand photometry files based on any specified fixture, including LM-79 Test reports, IES Files, and CRI/CCT measurements. See Sensolighting.com for more information.

**Full photometric Reports and IES files available for every configuration*

Color Metrics

TM 30-15

Our clients deserve the best information possible about their lighting choices. That's why Senso has invested in the Illuminating Engineering Society (IES) TM 30-15, a new system that measures an LED light source's color rendering properties. Using Senso's state-of-the-art goniophotometer, this method identifies the optimal light source for your project and helps evaluate the trade-offs between efficacy and color rendering. Senso can provide TM 30-15 data for all of our products.

**Full Color Metric Info Available at Sensolighting.com*

LETO 11 A

ASYMMETRIC LED DOWNLIGHT

