

# LATONA 4

RECESSED ADJUSTABLE LED DOWNLIGHT



**Latona 4 - Recessed Adjustable downlight.** The Latona 4, a smaller, stylish square recessed fixture, features a 30° adjustable aperture that uses the 93+ CRI Accuracy module as its potent LED power source.

## Ordering Code

|         |            |            |    |   |   |    |    |    |
|---------|------------|------------|----|---|---|----|----|----|
| Fixture | <b>513</b> |            |    |   |   |    |    |    |
|         | 1          | 2          | 3  | 4 | 5 | 6  | 7  | 8  |
| Driver  |            | <b>513</b> | -- |   |   | -- | -- | -- |
|         | 1          | 2          | 3  | 4 | 5 | 6  | 7  | 8  |

## Product Specifications

**SAMPLE:** Fixture **513 - FL - A90 - 615 - 27 - 07 - 00 - 01** | Driver **910 - 513 - FL - STD - 120 - A90 - 07 - 01**

| 1 - Model             | 2 - Trim                                      | 3 - LED                       | 4 - Reflector   | 5 - CCT  | 6 - Lumen   | 7 - Accessory  |
|-----------------------|---|-------------------------------|---|--|---|--|
| <b>513</b> · Latona 4 | <b>FL</b> · Flanged<br><b>99</b> · Flangeless | <b>A90</b> · 93+ CRI Accuracy | <b>615</b> · 15°<br><b>638F</b> · 38° Faceted<br><b>640</b> · 40°<br><b>660</b> · 60° | <b>27</b> · 2700K<br><b>30</b> · 3000K<br><b>35</b> · 3500K<br><b>40</b> · 4000K | <b>07</b> · 700 (6.1W)<br><b>10</b> · 1000 (9.1W)<br><b>15</b> · 1500 (14.0W) | <b>00</b> · No Accessory<br><b>DL</b> · Diffusing Lens |

| 8 - Finish   | 1 - Housing Style  | 2 - Model       | 3 - Trim        | 4 - Driver  | Dim Level                       | Dim Level  |
|--|--|-----------------|-----------------|---|---------------------------------|--|
| <b>01</b> · White<br><b>02</b> · Black<br><b>08</b> · Silver<br><b>XX</b> · Custom | <b>910</b> · Remote<br><b>915</b> · Plaster Frame<br><b>920</b> · IC Housing <sup>*1/2/8</sup> | Same as Fixture | Same as Fixture | <b>STD</b> · Non Dimming<br><b>LCS</b> · 0 - 10 Volt Protocol<br><b>DIM</b> · Phase <sup>*3</sup><br><b>ELDOLC</b> · EldoLED 0 - 10 Volt <sup>*4</sup><br><b>DALI</b> · Dali Protocol <sup>*4</sup> | N/A<br>1%<br>1%<br>0.1%<br>0.1% | <b>LUTES</b> · Hilume Ecodigital <sup>*4</sup> 1%<br><b>LUT2W</b> · 2 Wire for phase <sup>*3/4</sup> 1%<br><b>DMX</b> · SENSO <sup>*4</sup><br><b>EMG</b> · Emergency Driver <sup>*4/5</sup> |

| 5 - Line Voltage  | 6 - LED         | 7 - Lumen       | 8 - Finish <sup>*7</sup>                                     |
|---|-----------------|-----------------|--|
| <b>120</b> · 120V<br><b>277</b> · 277V<br><b>347</b> · 347V <sup>*4/6</sup> | Same as Fixture | Same as Fixture | Same as Fixture<br><i>Only required with Flangeless Trim</i> |

Project : \_\_\_\_\_  
 Quantity : \_\_\_\_\_  
 Type : \_\_\_\_\_  
 Notes : \_\_\_\_\_

\*1 1000lm max  
 \*2 Not available with flangeless trim  
 \*3 120V only  
 \*4 Requires remote housing  
 \*5 Specified separately  
 \*6 Not available with ELDO, Lutron or DMX  
 \*7 Only required with **Flangeless Trim**  
 \*8 JAS Compliant

# LATONA 4

RECESSED ADJUSTABLE LED DOWNLIGHT

## Light Engine

- Output:** up to 1500lm
- High Efficacy:** up to 85 lumen/Watt
- Color Options (CCT):** 2500K, 2700K, 3000K, 3500K, 4000K or 6500K
- Color Consistency:** Range within a 3-MacAdam Ellipse
- Color rendering (CRI):** 93+ CRI & 50+ R9 Value

## Driver

- Dimming:** 1% dimming standard with 0.1% option
- Ripple:** Industry leading Low ripple
- Efficiency:** Power Factor >0.9  
Efficiency over 85%

**Installation:** Small Footprint allows retrofit installations

| Lumen Option    | 700lm | 1000lm | 1500lm |
|-----------------|-------|--------|--------|
| Delivered Lumen | 519lm | 723lm  | 1145lm |
| Fixture Wattage | 6.1W  | 9.1W   | 14W    |

## Installation

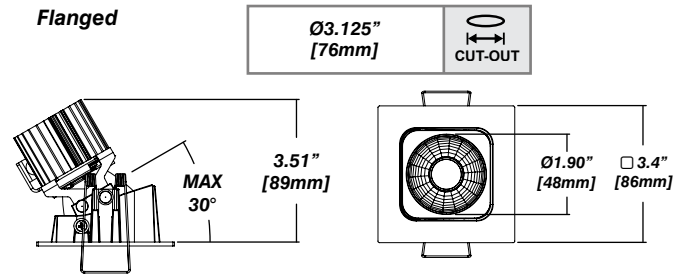
- For new and retrofit installations
- Easy installation with spring loaded tabs
- Simple connection between fixture and driver via quick connect
- 0° to 30° adjustable tilt angle

## Construction/Finish

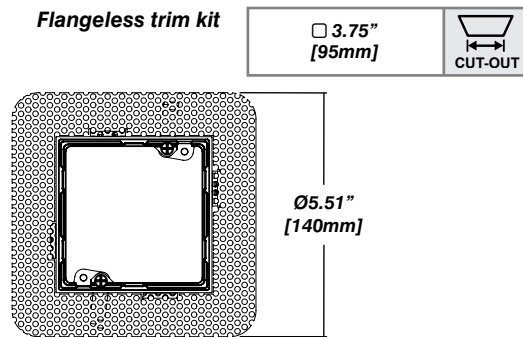
- Powder coated in white, black or silver
- Custom finish are available
- Cast aluminum
- Seismic tether
- Made in Canada

## Dimensions

### Flanged

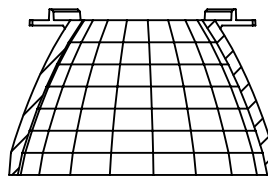


### Flangeless trim kit

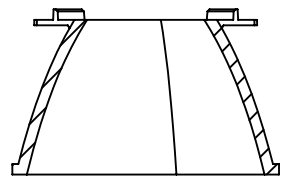


## Reflector

### Faceted Reflector



### Smooth Reflector



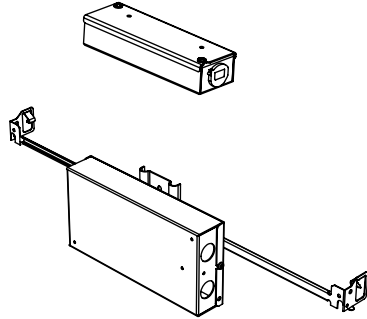
# LATONA 4

RECESSED ADJUSTABLE LED DOWNLIGHT

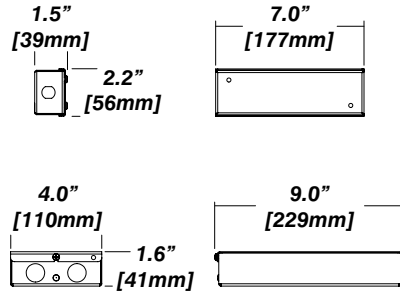


## Housing Options

### Standard Senso Housing - 910



### Dimension



### Included

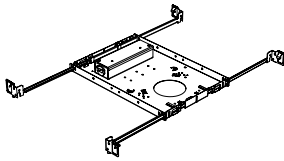
Unless specified otherwise, this is provided as standard

- Bar hanger**
  - Included, unmounted from single
  - Length: from 14-3/16" to 26"
  - Mounting screws not included
- Driver with enclosure**
  - Galvanized steel enclosure
- Security wire**
  - Flexible aircraft cable, 12" long
  - Easy to clip snap body included

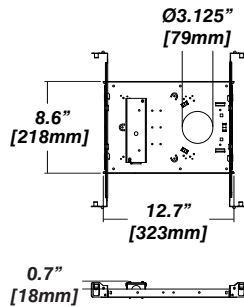
\* driver can be installed either:

- (A) laying on top of ceiling.
- (B) mounted to the bar hanger and fixed to the ceiling.
- (C) remote from the fixture, with the bar hanger still used if desired to secure the fixture

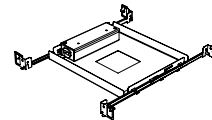
### New Construction - 915 Flanged



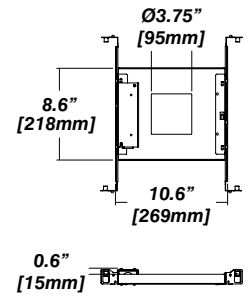
### Dimension



### New Construction - 915 Flangeless



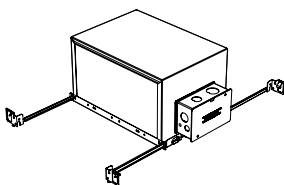
### Dimension



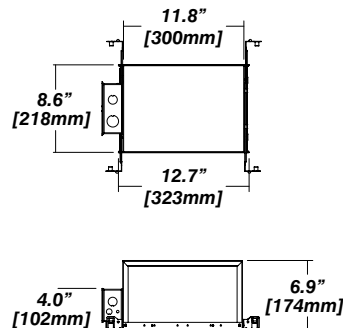
### Included

- Plaster Frame**
  - Galvanized steel construction with cut-out to
- Bar hanger**
  - Length: from 14-3/16" to 26"
- Outlet Box**
  - Standard Senso housing 910 included
- Security wire**
  - Flexible aircraft cable, 12" long
  - Easy to clip snap body included

### IC Housing - 920



### Dimension



### Included

- IC Housing**
  - Galvanized steel construction
  - Airtight
  - Includes gasketed junction box
- Plaster Frame**
  - Galvanized steel construction
- Bar hanger**
  - Length: from 14-3/16" to 26"

**Note:** Lumen output cannot exceed 1000lm  
Not available in flangeless

