

Installation Instructions - Kurba Dynamic White

Models KBX-X-X-DW

Please read all instructions prior to installation and keep for future reference!

1. PRODUCT TO BE INSTALLED BY A QUALIFIED ELECTRICIAN.
2. USE ONLY WITH CLASS 2 POWER UNIT
3. 24 VOLTS DC
4. SUITABLE FOR WET LOCATIONS
5. SURFACE MOUNT ONLY
6. NO ADHESIVE ALLOWED TO AFFIX THE PRODUCT



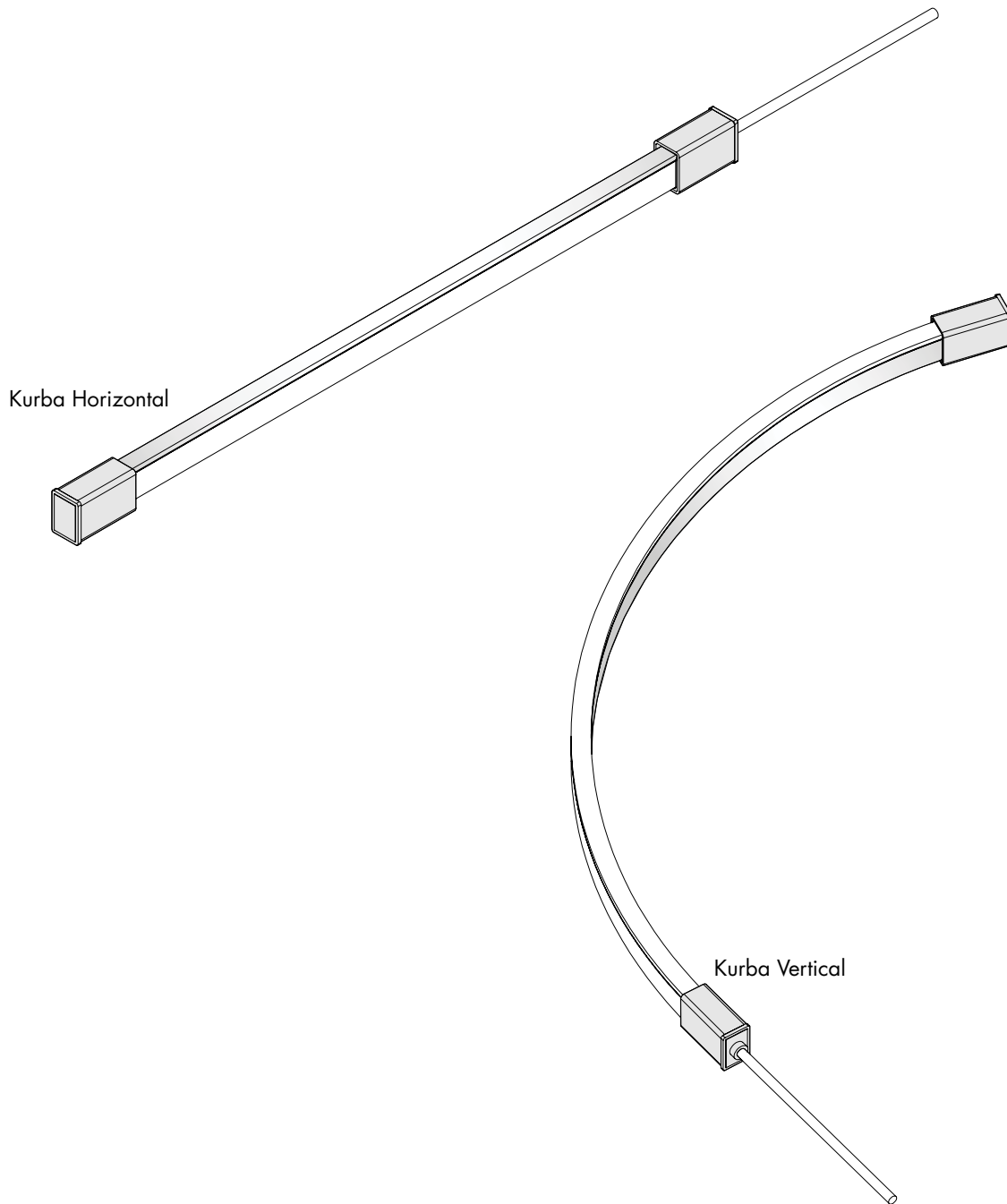
REVO.4
03152024

1 / 9



7777 Merrimac Ave
Niles, IL 60714
T 224.333.6033
F 224.757.7557
info@luminii.com
www.luminii.com

Please read all instructions prior to installation and keep for future reference!



Installation Instructions - Kurba Dynamic White

Models KBX-X-X-DW



7777 Merrimac Ave
Niles, IL 60714
T 224.333.6033
F 224.757.7557
info@luminii.com
www.luminii.com

REVO.4
03152024

2 / 9

Please read all instructions prior to installation and keep for future reference!

1. PRODUCT TO BE INSTALLED BY A QUALIFIED ELECTRICIAN.
2. USE ONLY WITH CLASS 2 POWER UNIT
3. 24 VOLTS DC
4. SUITABLE FOR WET LOCATIONS
5. SURFACE MOUNT ONLY
6. NO ADHESIVE ALLOWED TO AFFIX THE PRODUCT

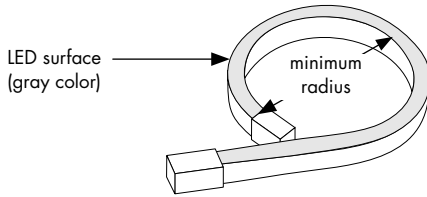
CAUTION: Reference to below before installing Kurba

When unpacking Kurba, carefully pull it out of the packaging box.
Note: Incorrect unpacking may cause PCB fracture or damage on electronic components, and lead to the failure of light. Gloves are recommended in third step.

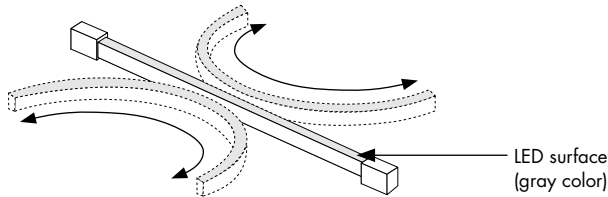
Do not pull the cable, otherwise it may disable the function of the connector and lead to water ingress. It's recommended to keep the first 2.5 inches of the cable straight and without tension.

Kurba Horizontal

CAN Bend LED in these positions to avoid damage

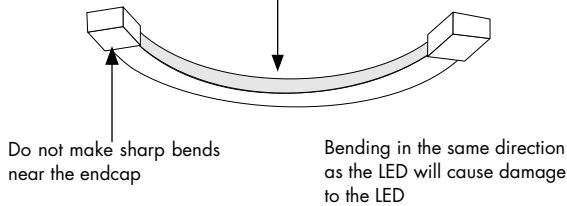
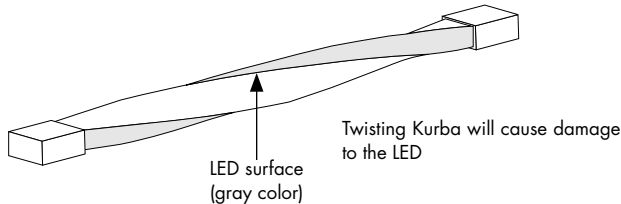


Bend in this direction only



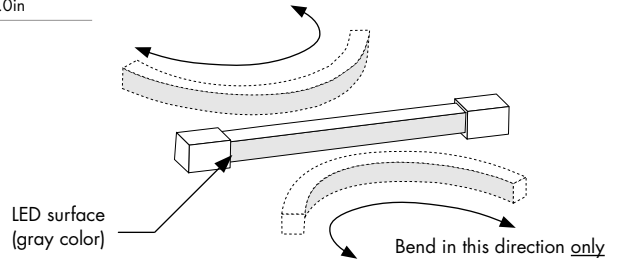
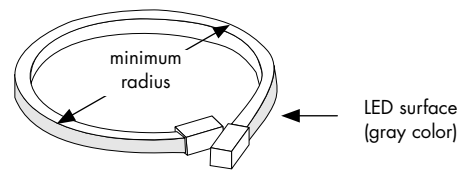
Product Name	Minimum Radius
Kurba Max	8in
Kurba Large	6in
Kurba Medium	2.5in
Kurba Small	2.0in

CANNOT Twisting or bending LED in these positions will cause damage to the LED

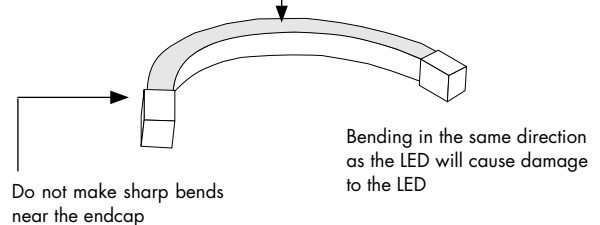
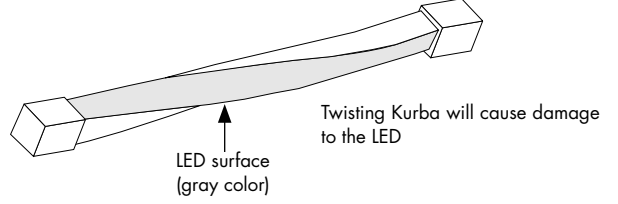


Kurba Vertical

CAN Bend LED in these positions to avoid damage



CANNOT Twisting or bending LED in these positions will cause damage to the LED



Installation Instructions - Kurba Dynamic White

Models KBX-XX-DW



7777 Merrimac Ave
Niles, IL 60714
T 224.333.6033
F 224.757.7557
info@luminii.com
www.luminii.com

REVO.4
03152024

3 / 9

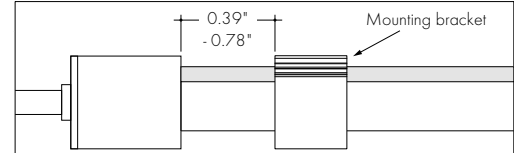
Please read all instructions prior to installation and keep for future reference!

1. PRODUCT TO BE INSTALLED BY A QUALIFIED ELECTRICIAN.
2. USE ONLY WITH CLASS 2 POWER UNIT
3. 24 VOLTS DC
4. SUITABLE FOR WET LOCATIONS
5. SURFACE MOUNT ONLY
6. NO ADHESIVE ALLOWED TO AFFIX THE PRODUCT

1

NOTE: Prior to installation all 24VDC wires must be present within 72" of the installation. Refer to the power supply installation instruction for additional information.

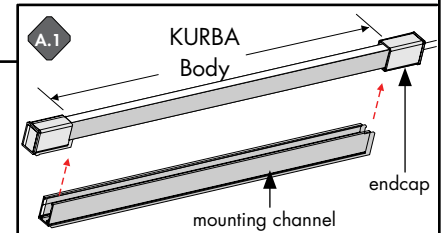
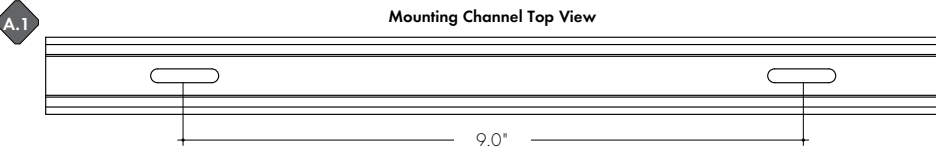
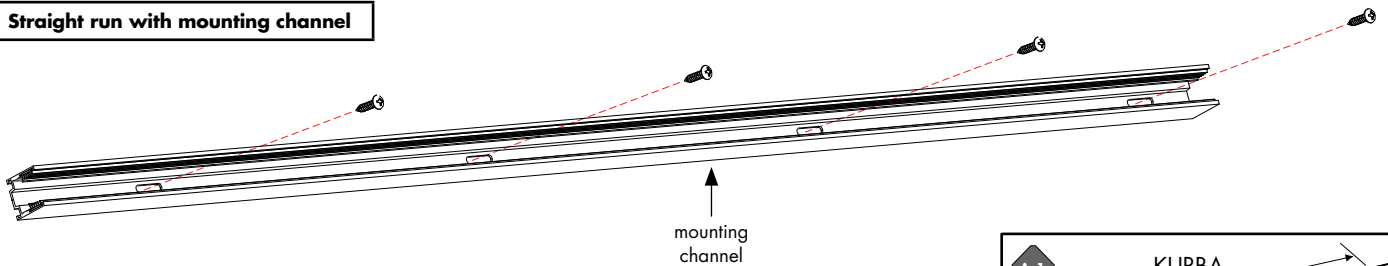
NOTE: More than one person is recommended for this installation.



NOTE: Keep a 0.39" - 0.79" spacing between the end of the fixture and the mounting bracket

1.1 Once the location or pattern is determined for Kurba to be installed, start off by marking the area. Amount of brackets may vary dependant upon pattern. Reference diagrams below.

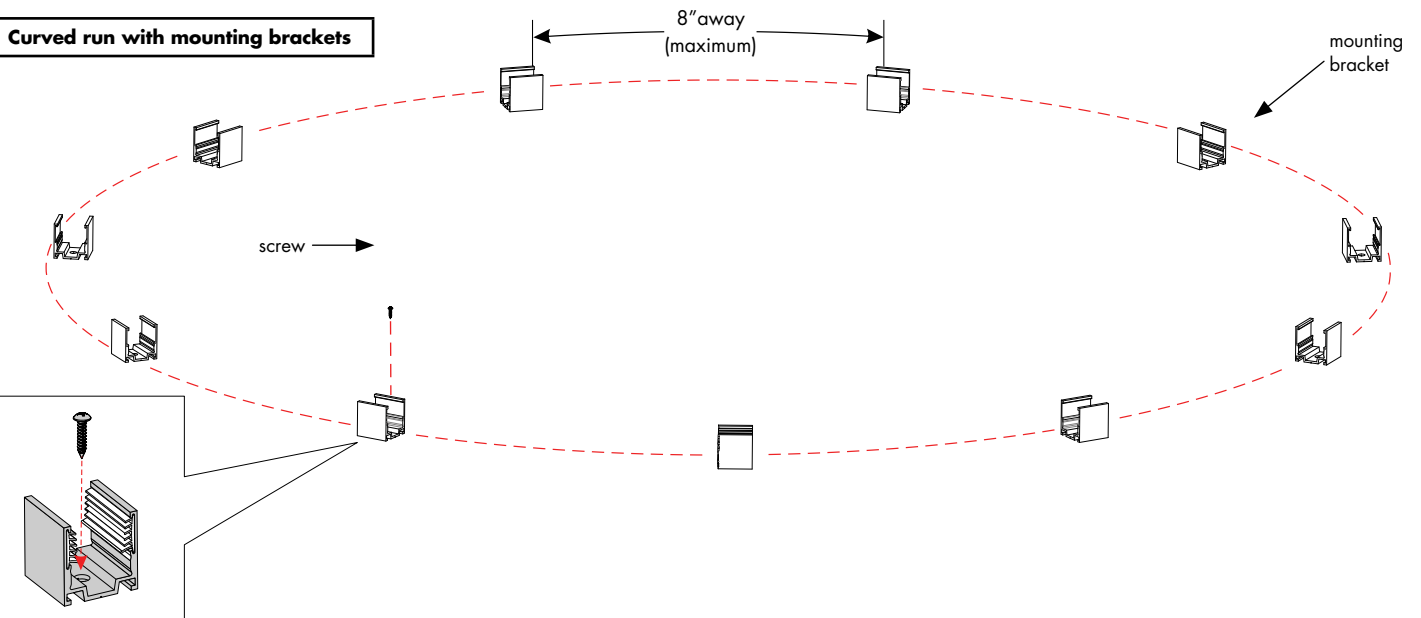
Straight run with mounting channel



A.1 Drill holes into the surface 9" apart from each other, followed by placing the mounting channel to the surface. Make sure its straight by using a level.

A.2 Secure channel to the surface by tightening all the provided screws. If mounting to something other than wood, we recommend using the proper hardware.

Curved run with mounting brackets



B.1 Determine the shape of the Kurba layout, then mark the pattern onto the surface. Then, place a mounting bracket every 8" (minimum). The pattern may vary dependant upon the amount of curves.

B.2 Secure the mounting brackets to the surface by tightening the screw. If mounting to something other than wood, we recommend using the proper hardware.

Installation Instructions - Kurba Dynamic White

Models KBX-X-X-DW

Please read all instructions prior to installation and keep for future reference!

1. PRODUCT TO BE INSTALLED BY A QUALIFIED ELECTRICIAN.
2. USE ONLY WITH CLASS 2 POWER UNIT
3. 24 VOLTS DC
4. SUITABLE FOR WET LOCATIONS
5. SURFACE MOUNT ONLY
6. NO ADHESIVE ALLOWED TO AFFIX THE PRODUCT



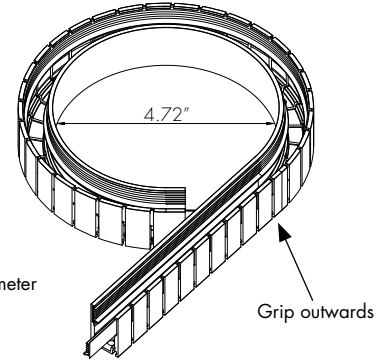
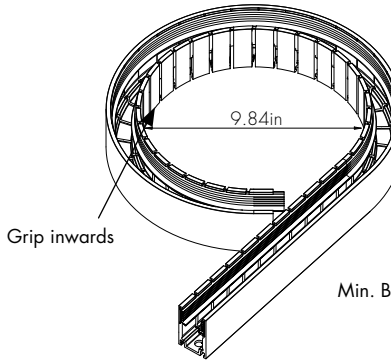
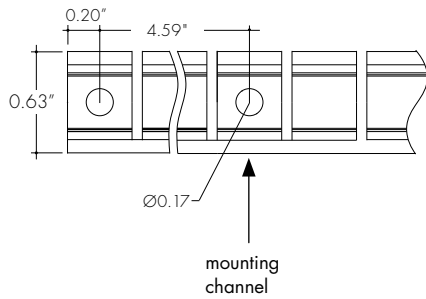
REVO.4
03152024

4 / 9

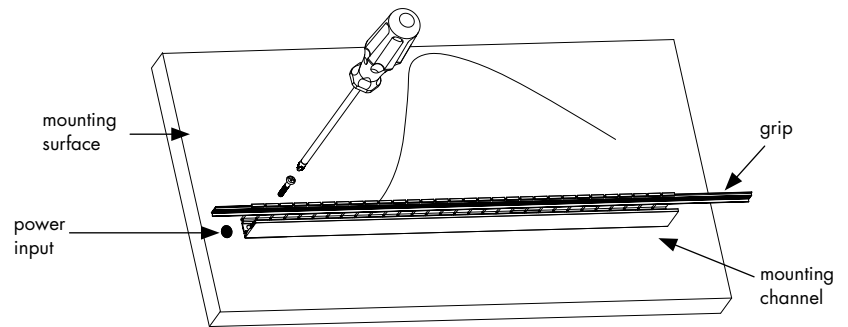
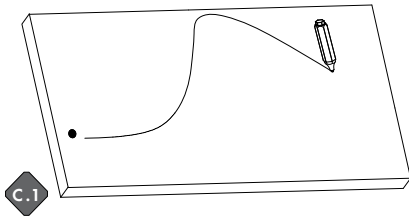


7777 Merrimac Ave
Niles, IL 60714
T 224.333.6033
F 224.757.7557
info@luminii.com
www.luminii.com

Bendable Mounting Channel with Grip

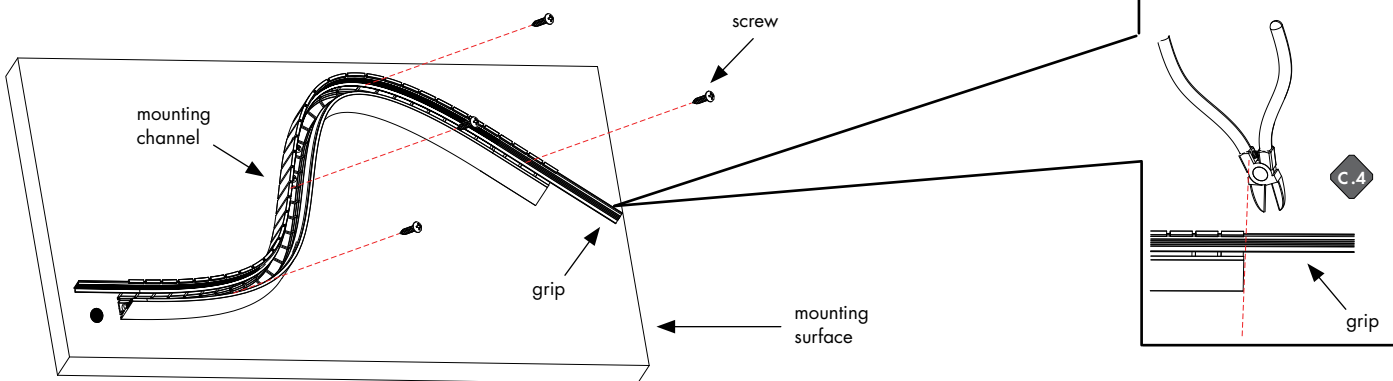


Min. Bending Diameter



C.1 Mark the required shape on the mounting surface.

C.2 Fix the screw starting from the power input end. Keep some distance between the channel and power input.



C.3 Fix the rest in sequence along with the marks.

C.4 Adjust the serrate silicone tape and remove the extra lengths at both ends.

Installation Instructions - Kurba Dynamic White

Models KBX-X-X-DW

Please read all instructions prior to installation and keep for future reference!

1. PRODUCT TO BE INSTALLED BY A QUALIFIED ELECTRICIAN.
2. USE ONLY WITH CLASS 2 POWER UNIT
3. 24 VOLTS DC
4. SUITABLE FOR WET LOCATIONS
5. SURFACE MOUNT ONLY
6. NO ADHESIVE ALLOWED TO AFFIX THE PRODUCT

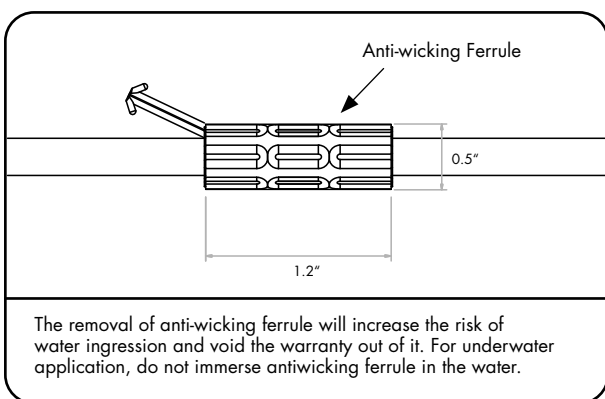
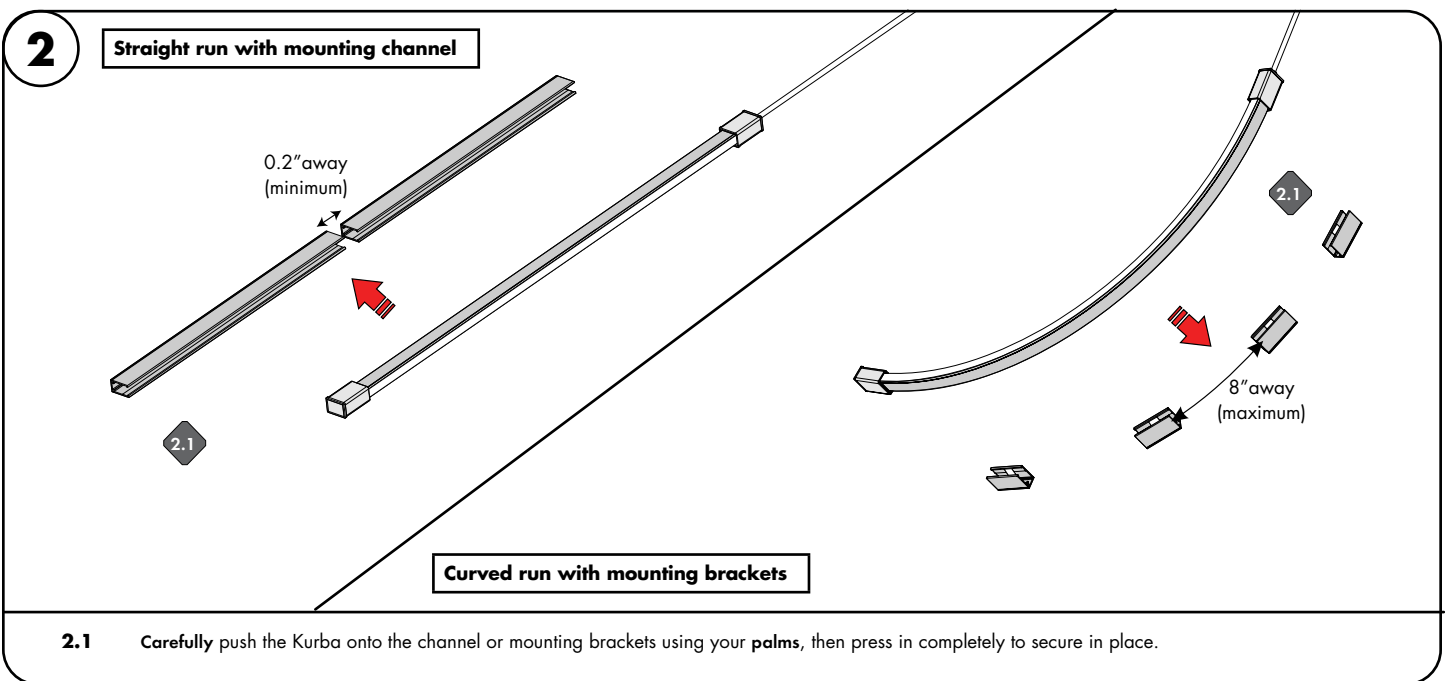
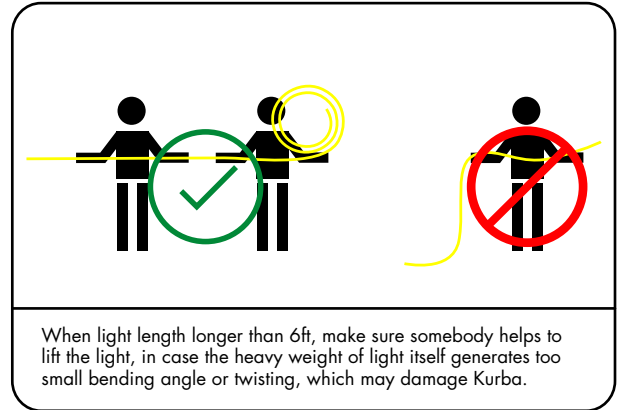
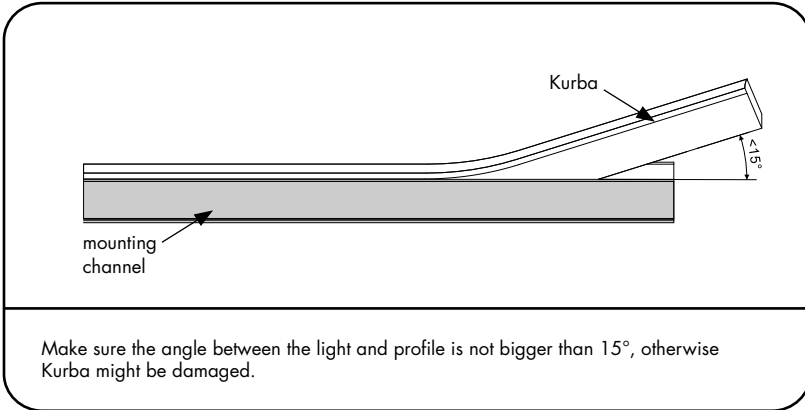


REVO.4
03152024

5 / 9



7777 Merrimac Ave
Niles, IL 60714
T 224.333.6033
F 224.757.7557
info@luminii.com
www.luminii.com



Installation Instructions - Kurba Dynamic White

Models KBX-XX-DW



7777 Merrimac Ave
Niles, IL 60714
T 224.333.6033
F 224.757.7557
info@luminii.com
www.luminii.com

REVO.4
03152024

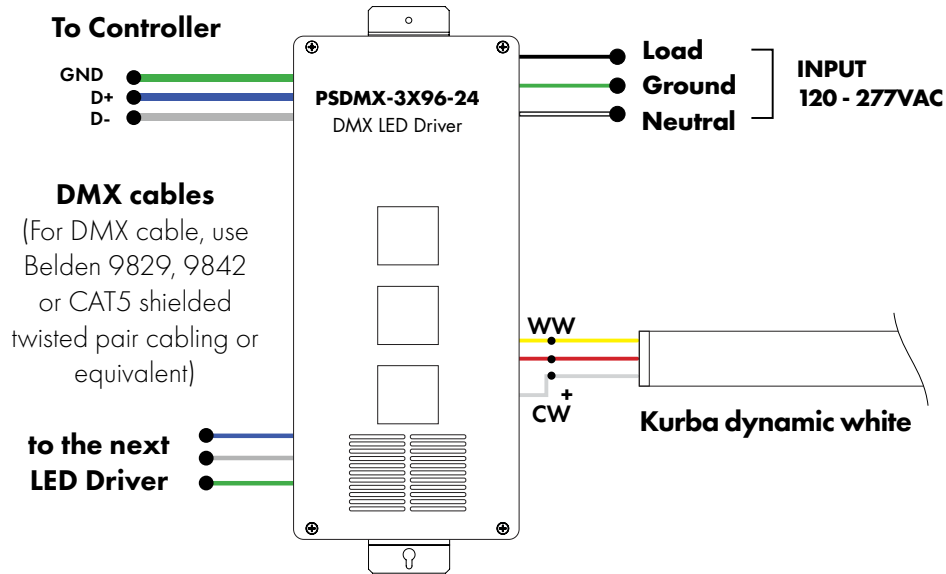
6 / 9

Please read all instructions prior to installation and keep for future reference!

1. PRODUCT TO BE INSTALLED BY A QUALIFIED ELECTRICIAN.
2. USE ONLY WITH CLASS 2 POWER UNIT
3. 24 VOLTS DC
4. SUITABLE FOR WET LOCATIONS
5. SURFACE MOUNT ONLY
6. NO ADHESIVE ALLOWED TO AFFIX THE PRODUCT

Wiring Diagrams

Using DMX LED power supply



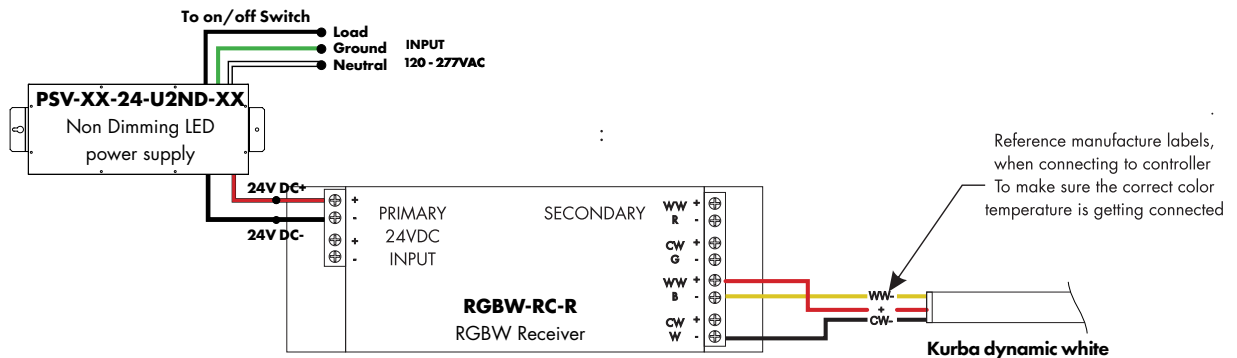
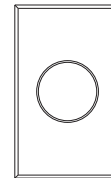
Using non dimming LED power supply, receiver and controller

Operations to Controller

1. Press the learning key on the receiver, then push the rotary button. Once successfully learn, the LED lights will blink on the receiver. Do the same for the other receivers if you use them, you can add as many optional receivers as you want.
2. Short press once the rotary button to switch on/off. Adjust dim brightness by the rotary button from left to right 0.1 - 100%. Adjust dim brightness by the rotary button from right to left 0.1 - 100%. Long press rotary button, the light will be 100% brightness

Double click rotary button, it will enter into dimming color temperature mode, dim WW & CW associatively, for example if WW is 70%, CW is 30%. Double click again, will enter into dimming brightness mode.

DDW-MC
Wireless Controller



Installation Instructions - Kurba Dynamic White

Models KBX-X-X-DW

Please read all instructions prior to installation and keep for future reference!

1. PRODUCT TO BE INSTALLED BY A QUALIFIED ELECTRICIAN.
2. USE ONLY WITH CLASS 2 POWER UNIT
3. 24 VOLTS DC
4. SUITABLE FOR WET LOCATIONS
5. SURFACE MOUNT ONLY
6. NO ADHESIVE ALLOWED TO AFFIX THE PRODUCT



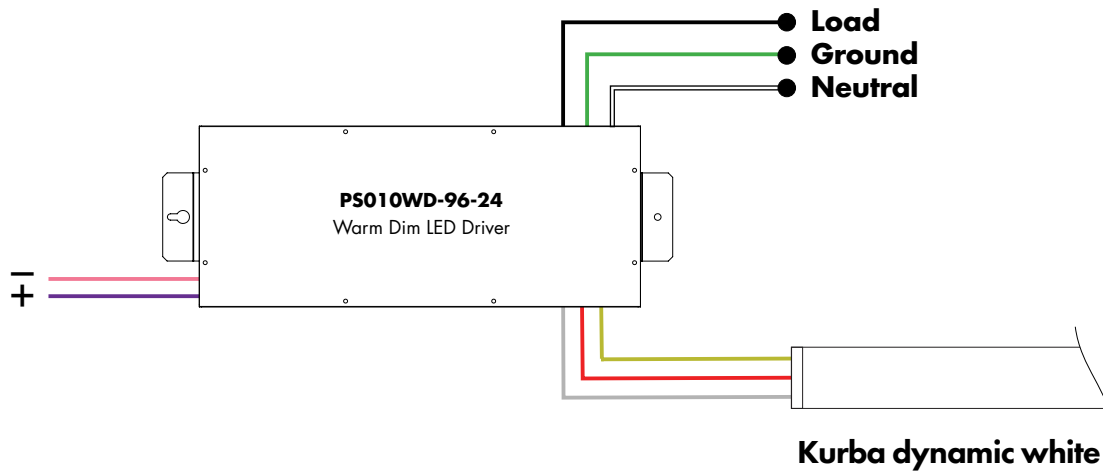
REVO.4
03152024

7 / 9



7777 Merrimac Ave
Niles, IL 60714
T 224.333.6033
F 224.757.7557
info@luminii.com
www.luminii.com

Using warm dim LED power supply



Using tunable white LED power supply

Controller 1:
0-10V for intensity



Controller 2:
0-10V for color temperature



PS010TW-96-24
Tunable White LED Driver

INPUT
120 - 277VAC

Kurba dynamic white

Installation Instructions - Kurba Dynamic White

Models KBX-XX-DW

Please read all instructions prior to installation and keep for future reference!

1. PRODUCT TO BE INSTALLED BY A QUALIFIED ELECTRICIAN.
2. USE ONLY WITH CLASS 2 POWER UNIT
3. 24 VOLTS DC
4. SUITABLE FOR WET LOCATIONS
5. SURFACE MOUNT ONLY
6. NO ADHESIVE ALLOWED TO AFFIX THE PRODUCT



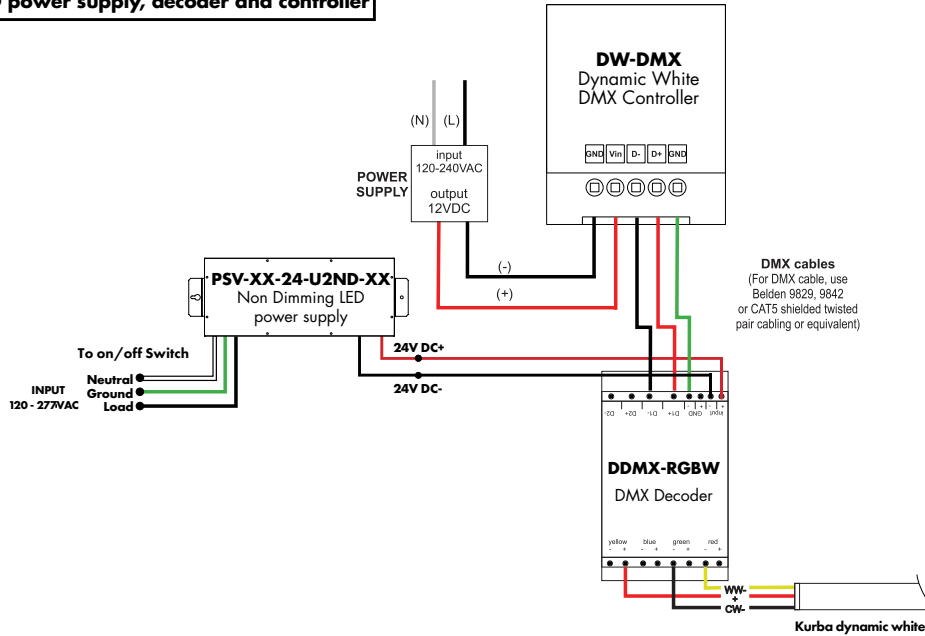
REVO.4
03152024

8 / 9

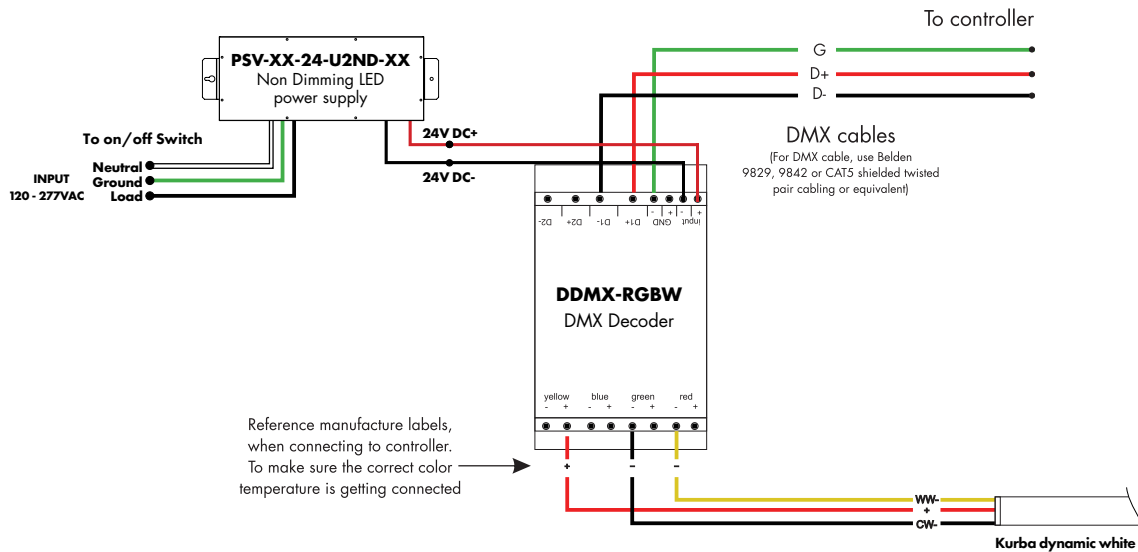


7777 Merrimac Ave
Niles, IL 60714
T 224.333.6033
F 224.757.7557
info@luminii.com
www.luminii.com

Using non dimming LED power supply, decoder and controller



Using non dimming LED power supply and decoder



Installation Instructions - Kurba Dynamic White

Models KBX-XX-DW



7777 Merrimac Ave
Niles, IL 60714
T 224.333.6033
F 224.757.7557
info@luminii.com
www.luminii.com

REVO.4
03152024

9 / 9

Please read all instructions prior to installation and keep for future reference!

1. PRODUCT TO BE INSTALLED BY A QUALIFIED ELECTRICIAN.
2. USE ONLY WITH CLASS 2 POWER UNIT
3. 24 VOLTS DC
4. SUITABLE FOR WET LOCATIONS
5. SURFACE MOUNT ONLY
6. NO ADHESIVE ALLOWED TO AFFIX THE PRODUCT

Removing Kurba from Mounting Brackets

