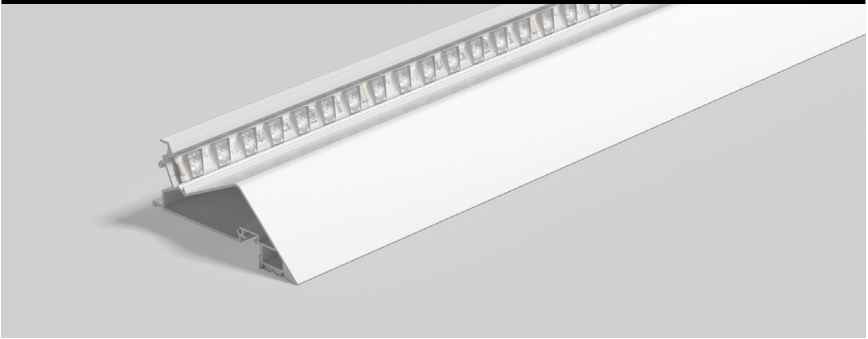


KNIFE EDGE INSTALLATION GUIDE

Indoor



Please read entire guide prior to starting installation.

Sections:

- *Wall Preparation*
- *Profile Installation*
- *Ceiling Finishing*
- *Light Engine Installation*

NOTES

WARNING: For your safety read and understand these instructions completely before starting installation. Disconnect all power and electrical tools before installing, servicing or checking. Retain these instructions for references.

1. This fixture must be installed by a qualified electrician in accordance with the National Electric Code and all local codes and practices. To assure full compliance with local codes and regulations, check with your local electrical inspector before installation. These codes should be carefully studied before starting work.
2. The installing contractor assumes all liability for the safety and code compliance of the installation.
3. Optic Arts reserves the right to modify this specification without prior notice.
4. Optic Arts is not liable for any damages caused by improper wiring, driver overloading, driver under-loading, power surges, poor system design or layout, negligence or other conditions.



213.250.6069
info@opticarts.com
www.opticarts.com



KNIFE EDGE INSTALLATION GUIDE

Indoor

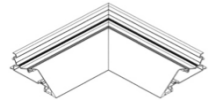
COMPONENTS



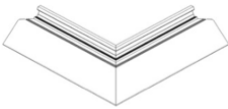
Blade Body
CH-KE-625-B



Wall Bracket
CH-KE-625-W



Inner Corner (Coffer)
CH-KE-625-CO



Outer Corner (Raft)
CH-KE-625-RA



Left Endcap
CH-KE-625-EC-LP



Right Endcap
CH-KE-625-EC-RP



Locking Screw
CH-KE-625-LS



Aligner Bracket
CH-KE-625-AR



Grommet
CH-EC-GROM-56MM

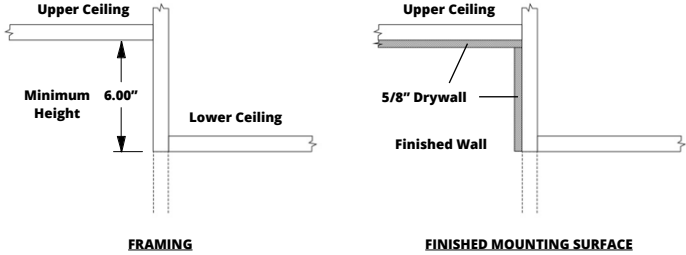


Frosted Lens¹
CH-KE-625-CF

1: Only used with FLEX STP installation.

Wall Preparation

1.



- 1.1 Begin installation by providing rough-in wall and ceiling structure for each 'System' location.
- 1.2 Install 5/8" drywall onto upper ceiling and cove wall.
- 1.3 Tape and mud joints. Sand to smooth finish and apply paint primer and paint color.

KNIFE EDGE INSTALLATION GUIDE

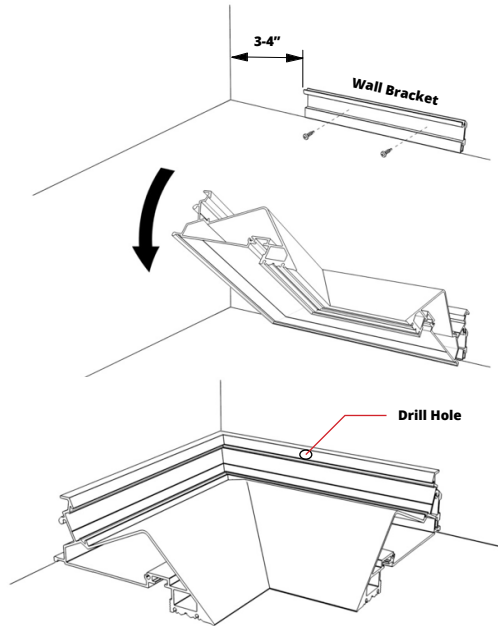
Indoor

Profile Installation

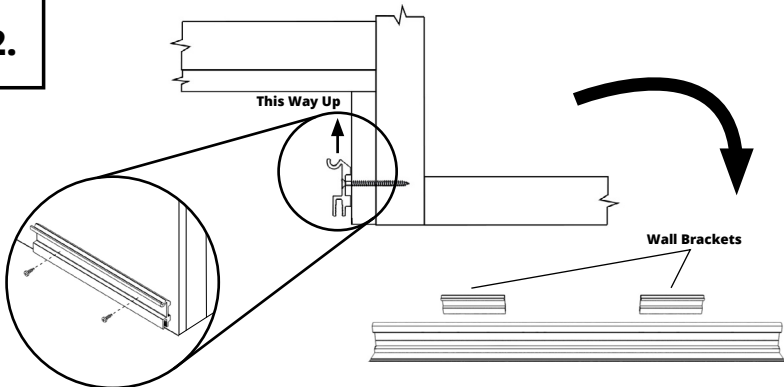
1.

1.1 Plan out power feed location for F.O.T.™ light engine using shop drawing and drill 19/64" hole to fit grommet. If Inner Corners are used, Light Engines must be spaced 3" away from corner on both sides.

1.2 If corner pieces were provided install corners first using (1) Wall Bracket on one wall. Wall Bracket can be field cut to accommodate length of each corner and must be mounted 3-4" away from the corner mounting surface using #6-20 X 1/2" Drilling Screw.



2.



2.1 Secure Wall Brackets onto mounting surface by drilling #6-20 X 1/2" Drilling Screws onto studs. Two screws required to mount each Wall Bracket. Wall Bracket can be field cut to accommodate length of Blade Body.

Optic Arts reserves the right to modify this specification without prior notice.

4 of 11

© Optic Arts 2019; 716 Monterey Pass Rd, Monterey Park, CA 91754

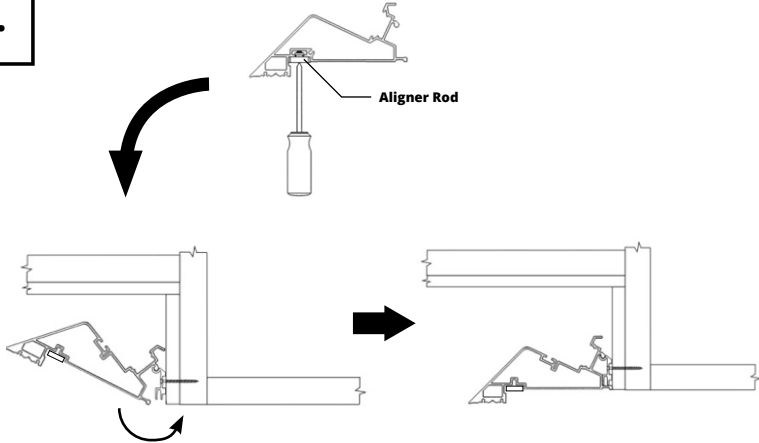
Last Modified: March 19, 2019

KNIFE EDGE INSTALLATION GUIDE

Indoor

Profile Installation

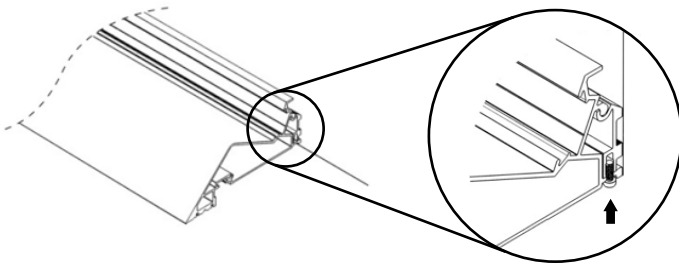
3.



3.1 Insert Aligner Rods into Aligner Rod slot at the bottom of the Blade Body to be used later to join multiple runs/corners together.

3.2 Apply and fix Blade Body to wall by aligning Blade Body with Wall Bracket at an angle and then rotating downward.

4.



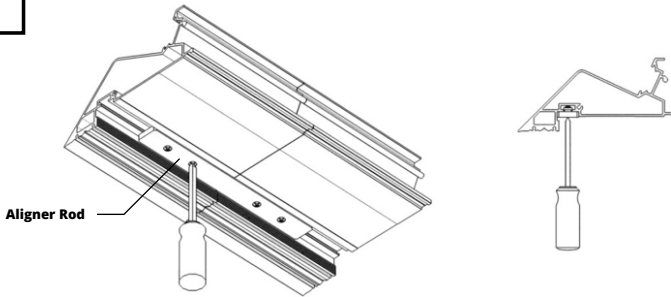
4.1 Lock the Blade Body to the Mounting Bracket using Locking Screw.

KNIFE EDGE INSTALLATION GUIDE

Indoor

Profile Installation

5.

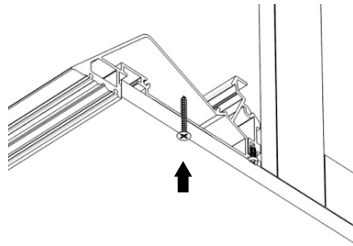


5.1 Fix two connecting pieces together using Aligner Rod.

Ceiling Finishing

1.

1.1 Install 5/8" drywall to the underside of the housing. Apply joint compound to the fluted surface to improve adherence. Drill screws into the Knife Edge.

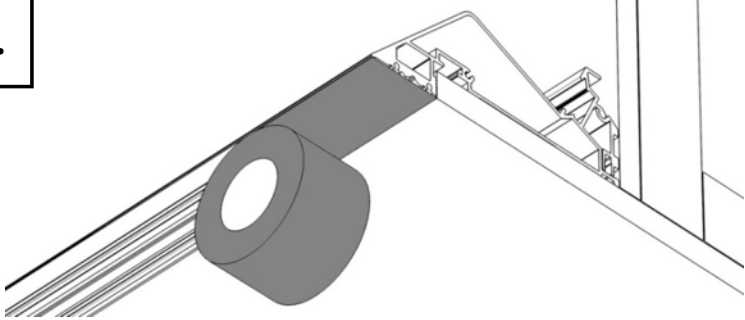


KNIFE EDGE INSTALLATION GUIDE

Indoor

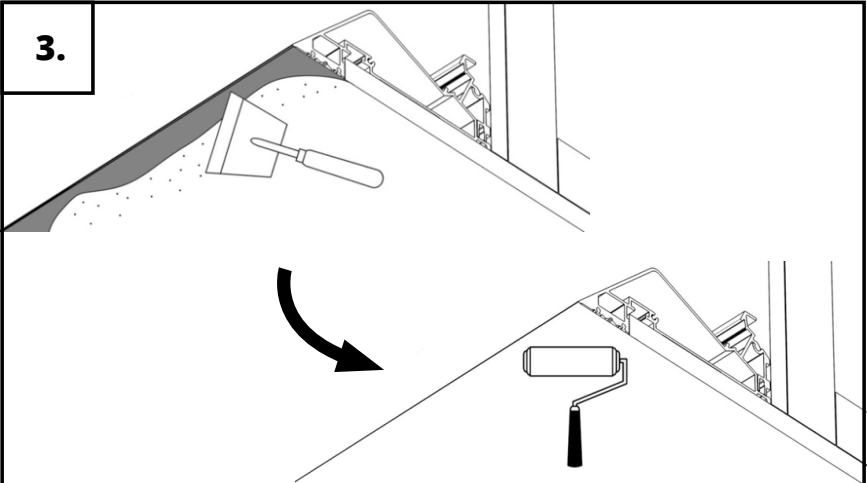
Ceiling Finishing

2.



2.1 Apply drywall tape.

3.



3.1 Apply joint compound, sand and paint.

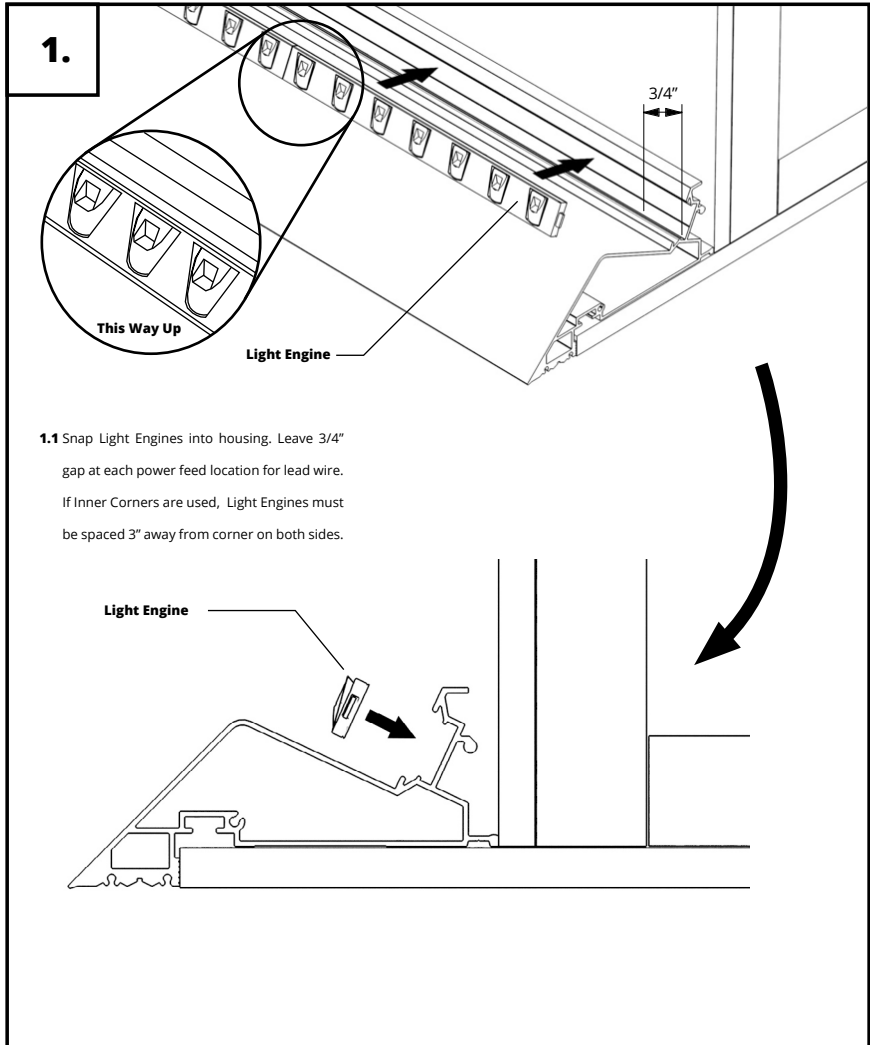
3.2 Durabond joint compound or similar should be used. Premixed joint compounds should not be used.

3.3 Ensure that surface is perfectly smooth without bumps or imperfections.

KNIFE EDGE INSTALLATION GUIDE

Indoor

Light Engine Installation: F.O.T.™

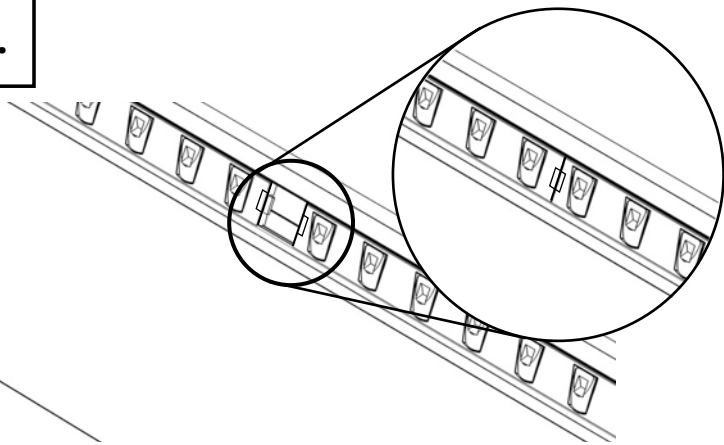


KNIFE EDGE INSTALLATION GUIDE

Indoor

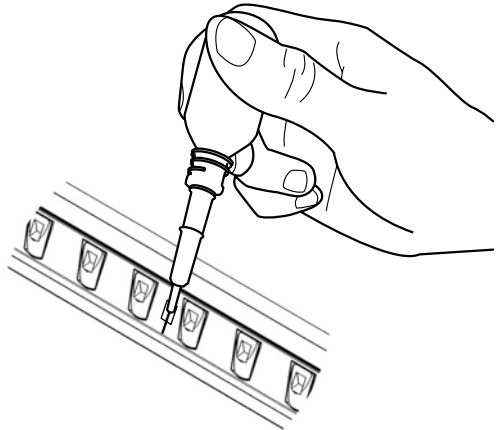
Light Engine Installation F.O.T.™

2.

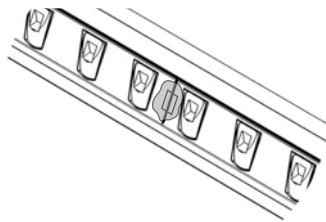


2.1 Join adjacent F.O.T.™ together up to a maximum run of 10.00'.

2.2 Apply a bead of provided RTV silicone over the connectors to provide strain relief. Silicone must cover the entire connector. Be careful not to get any silicone on the lens.



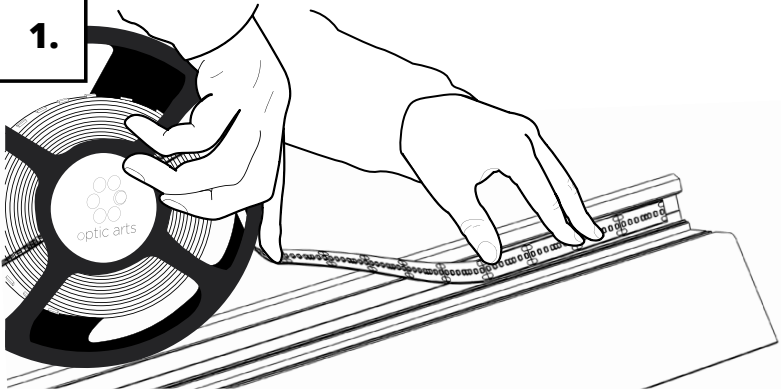
2.3 Allow silicone to cure for 24 hours.



Optic Arts reserves the right to modify this specification without prior notice.

Light Engine Installation: FLEX STP

1.



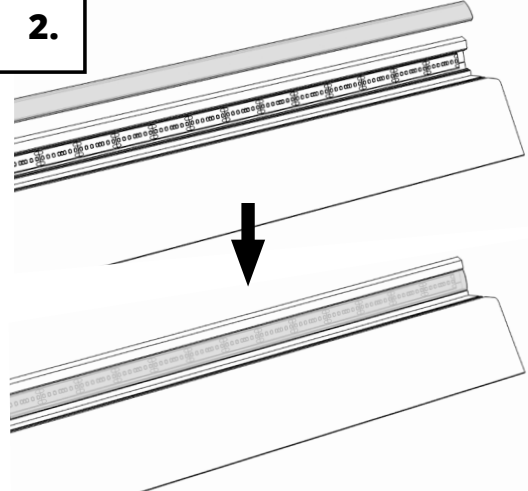
1.1 Clean inside of aluminum channel using rubbing alcohol and allow to dry.

1.2 Remove liners from the back of the FLEX STP.

1.3 Install FLEX STP into channel avoiding any bubbles, folds, or creases.

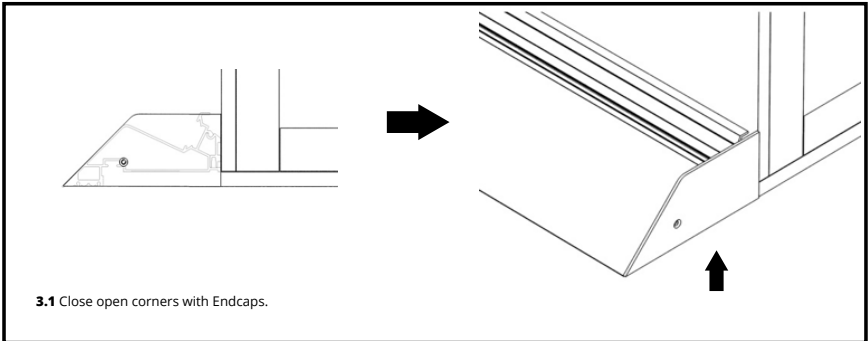
1.4 Apply pressure to FLEX STP by firmly, but gently, pressing down with your fingers.

2.



2.1 Snap or slide lens into channel.

Light Engine Installation (Final)



SEE RELEVANT DRIVER WIRING DIAGRAM FOR WIRING INSTRUCTIONS.