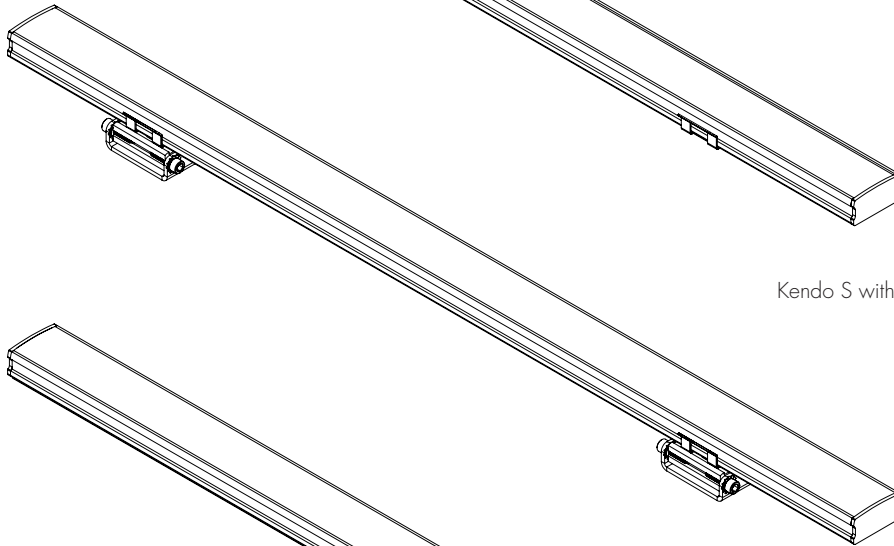
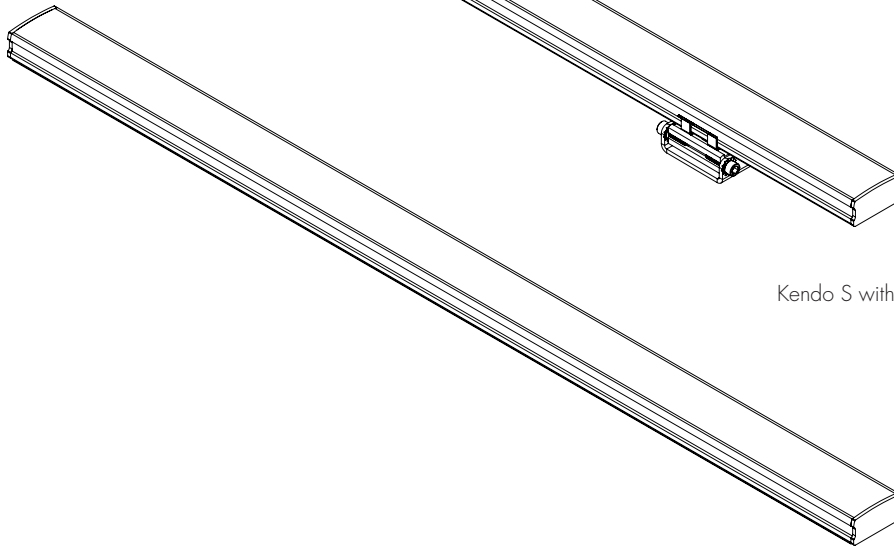


Kendo S with fixed clip mounting



Kendo S with adjustable hinge mounting



Kendo S with magnetic mounting

Instruction page index:

Fixed mounting clip installation	2
Adjustable hinge installation	3
Magnetic installation	4
Connect to Power	5
Power feed layout guide	6

Kendo S - Installation Instructions

Models S -



7777 Merrimac Ave
Niles, IL 60714
T 224.333.6033
F 224.757.7557
info@luminii.com
www.luminii.com

Please read all instructions prior to installation and keep for future reference!

1. PRODUCT TO BE INSTALLED BY A QUALIFIED ELECTRICIAN.
2. USE ONLY WITH CLASS 2 POWER UNIT
3. 24 VOLTS DC
4. SUITABLE FOR DAMP LOCATIONS
5. SURFACE MOUNT ONLY
6. SUITABLE FOR INSTALLATION WITHIN THE CLOSET STORAGE SPACE

Fixed mounting clip installation

1

fixture 1.1

4" every 30" 4"

fixed mounting clip

surface

flathead screw

fixed mounting clip

fixed 45° degree mounting clip

1.1 Determine the location of where the fixture(s) will be installed. Lay the fixture(s) on the surface, and make any necessary reference marks for the fixed mounting clips (or if using the fixed 45° degree mounting clip). Make marks 4" from each end of the fixture(s) and also every 30" in between.

1.2 Lay the fixed clip onto the reference mark points and secure using the provided hardware.

2

fixture

fixed mounting clip 2.1

pass through hole for power feed

surface

- end power feed with wire leads

fixture 1 fixture 2

lead wires

to power supply

- side power feed with wire leads

fixture 1 fixture 2

lead wires

to power supply

- bottom power feed with wire leads

fixture 1 fixture 2

lead wires

to power supply

2.1 If necessary make any pass through holes for wire lead/connector to the surface, depending on the power feed option. Then snap the fixture into the fixed mounting clip to secure in place. Diagram on the right side illustrates the common way of connecting multiple fixtures to each other, depending on the location of the power feed wires.

Kendo S - Installation Instructions

Models S -



luminii

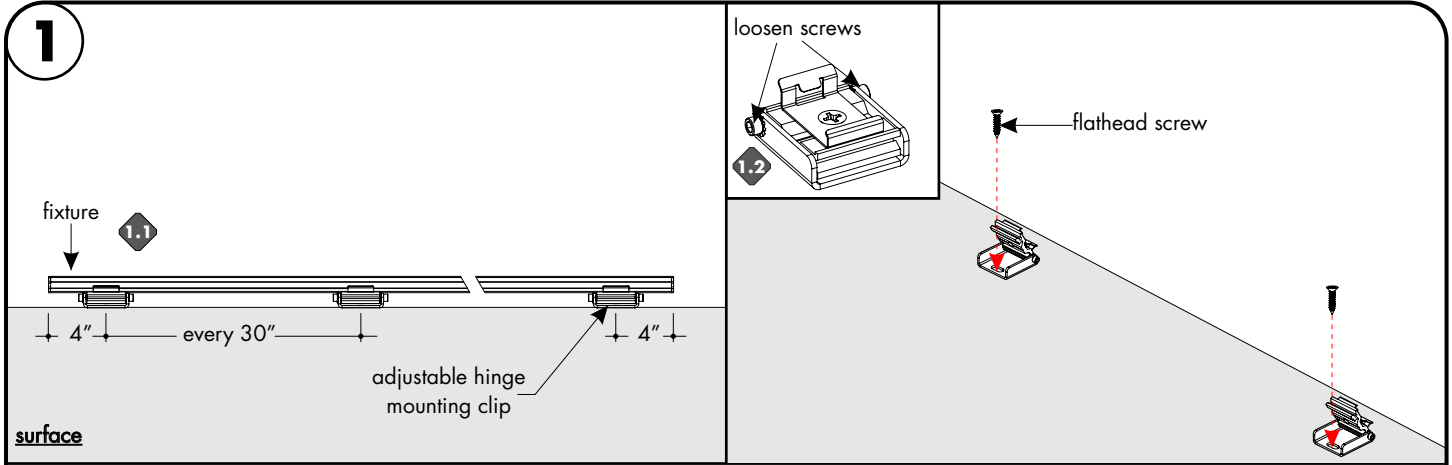
7777 Merrimac Ave
Niles, IL 60714
T 224.333.6033
F 224.757.7557
info@luminii.com
www.luminii.com

Please read all instructions prior to installation and keep for future reference!

1. PRODUCT TO BE INSTALLED BY A QUALIFIED ELECTRICIAN.
2. USE ONLY WITH CLASS 2 POWER UNIT
3. 24 VOLTS DC
4. SUITABLE FOR DAMP LOCATIONS
5. SURFACE MOUNT ONLY
6. SUITABLE FOR INSTALLATION WITHIN THE CLOSET STORAGE SPACE

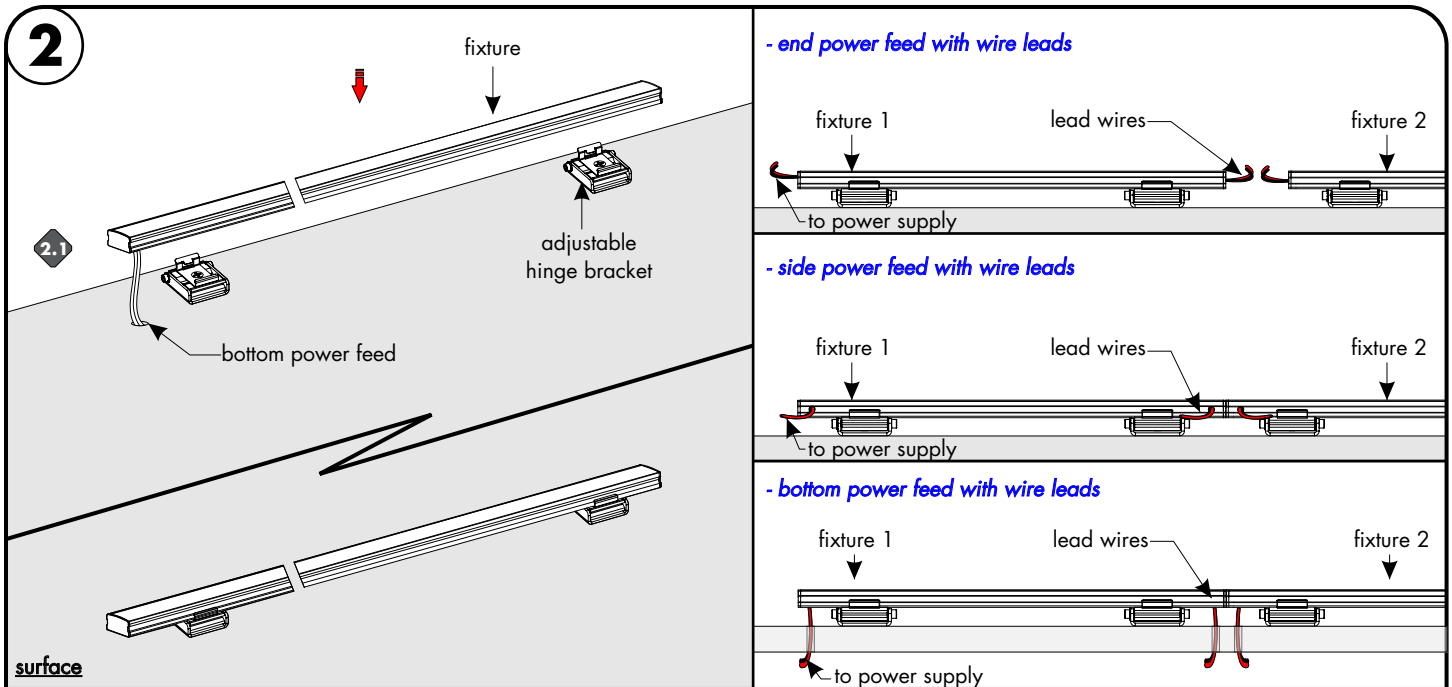
Page 3 of 6

Adjustable hinge mounting clip installation



1.1 Determine the location of where the fixture(s) will be installed. Lay the fixture(s) on the surface, and make reference marks for the mounting clips. Make marks 4" from each end of the fixture(s) and also every 30" in between.

1.2 Slightly loosen the 2 screws on the side on adjustable bracket. Lay the bracket onto the reference mark points and secure using the provided hardware.



2.1 If necessary make any pass through holes for wire lead/connector to the surface, depending on the power feed option. Then rotate fixture to the appropriate degree, followed by tightening the screws on the side. Then snap the fixture into the fixed mounting clip to secure in place. Diagram on the right side illustrates the common way of connecting multiple fixtures to each other, depending on the location of the power feed wires.

Kendo S - Installation Instructions

Models S -



luminii

7777 Merrimac Ave
Niles, IL 60714
T 224.333.6033
F 224.757.7557
info@luminii.com
www.luminii.com

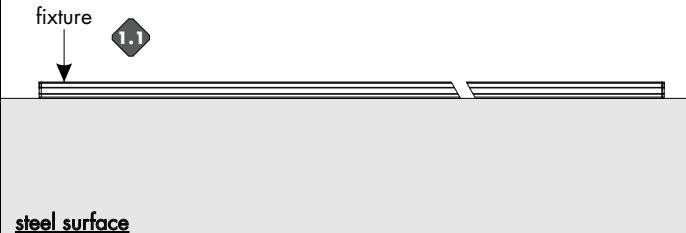
Please read all instructions prior to installation and keep for future reference!

1. PRODUCT TO BE INSTALLED BY A QUALIFIED ELECTRICIAN.
2. USE ONLY WITH CLASS 2 POWER UNIT
3. 24 VOLTS DC
4. SUITABLE FOR DAMP LOCATIONS
5. SURFACE MOUNT ONLY
6. SUITABLE FOR INSTALLATION WITHIN THE CLOSET STORAGE SPACE

Page 4 of 6

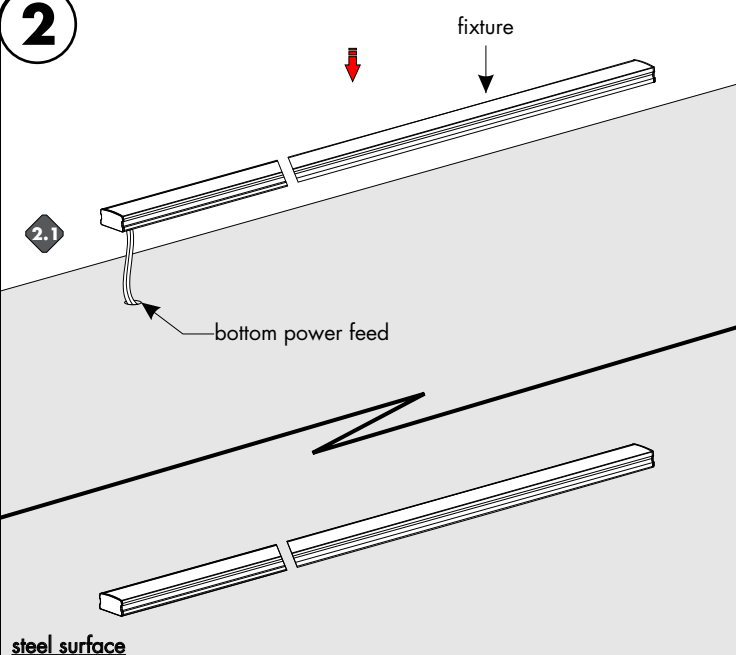
Magnetic mounting clip installation

1



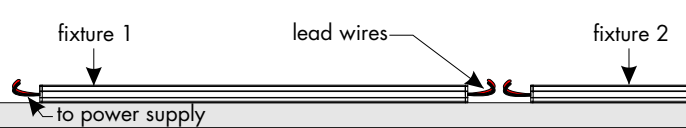
1.1 Determine the location where the fixture(s) will be installed. Must be made of steel or a ferrous metal. Clean the surface area thoroughly from any debris.

2

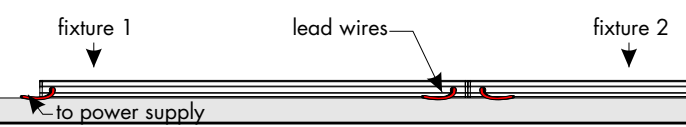


2.1 If necessary make any pass through holes for wire lead/connector to the surface, depending on the power feed option. Place fixture onto the surface to secure in place. Diagram on the right side illustrates the common way of connecting multiple fixtures to each other, depending on the location of the power feed wires.

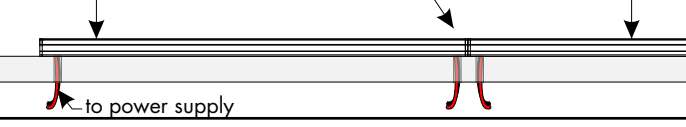
- end power feed with wire leads



- side power feed with wire leads



- bottom power feed with wire leads



Kendo S - Installation Instructions

Models S -



luminii

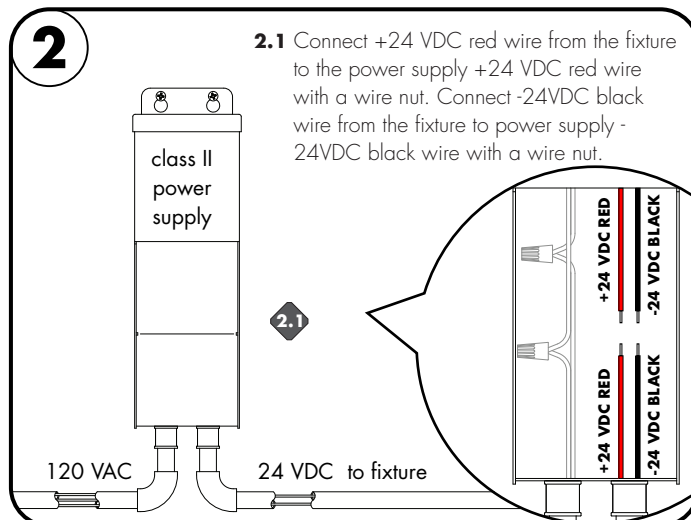
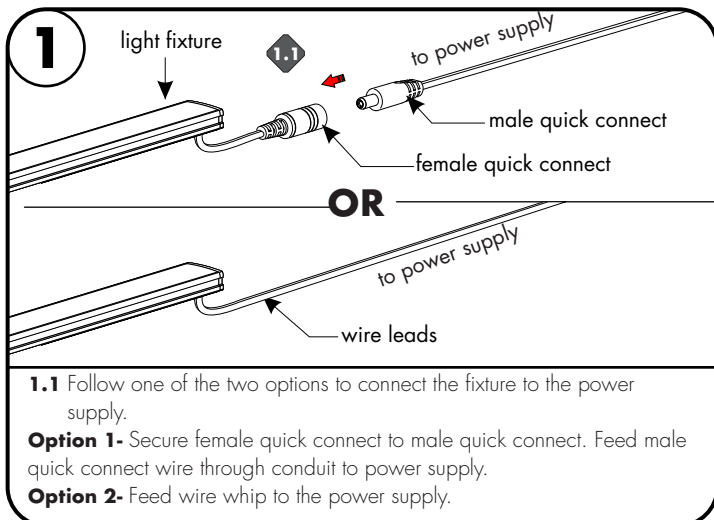
7777 Merrimac Ave
Niles, IL 60714
T 224.333.6033
F 224.757.7557
info@luminii.com
www.luminii.com

Please read all instructions prior to installation and keep for future reference!

1. PRODUCT TO BE INSTALLED BY A QUALIFIED ELECTRICIAN.
2. USE ONLY WITH CLASS 2 POWER UNIT
3. 24 VOLTS DC
4. SUITABLE FOR DAMP LOCATIONS
5. SURFACE MOUNT ONLY
6. SUITABLE FOR INSTALLATION WITHIN THE CLOSET STORAGE SPACE

Page 5 of 6

Connect to Power



Kendo S - Installation Instructions

Models S -



luminii

7777 Merrimac Ave
Niles, IL 60714
T 224.333.6033
F 224.757.7557
info@luminii.com
www.luminii.com

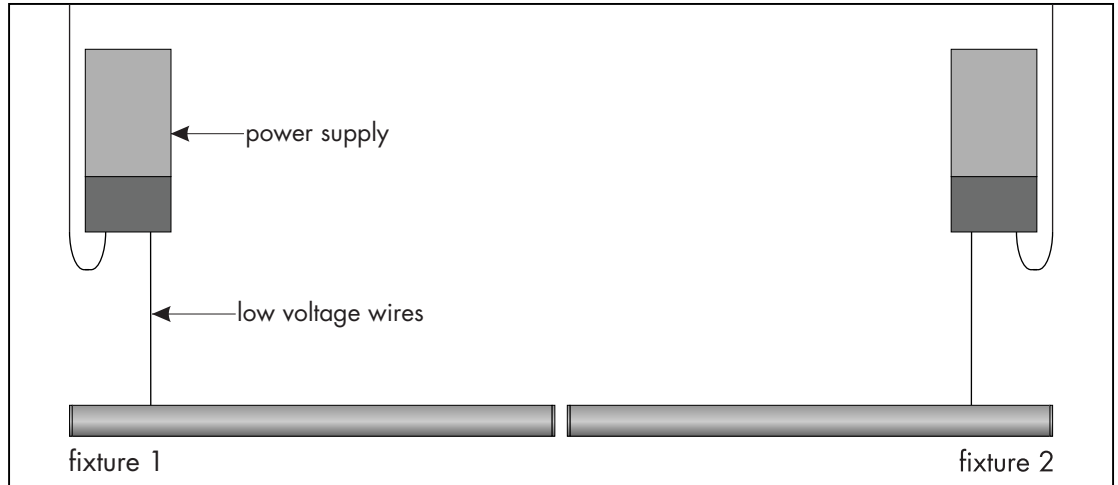
Please read all instructions prior to installation and keep for future reference!

1. PRODUCT TO BE INSTALLED BY A QUALIFIED ELECTRICIAN.
2. USE ONLY WITH CLASS 2 POWER UNIT
3. 24 VOLTS DC
4. SUITABLE FOR DAMP LOCATIONS
5. SURFACE MOUNT ONLY
6. SUITABLE FOR INSTALLATION WITHIN THE CLOSET STORAGE SPACE

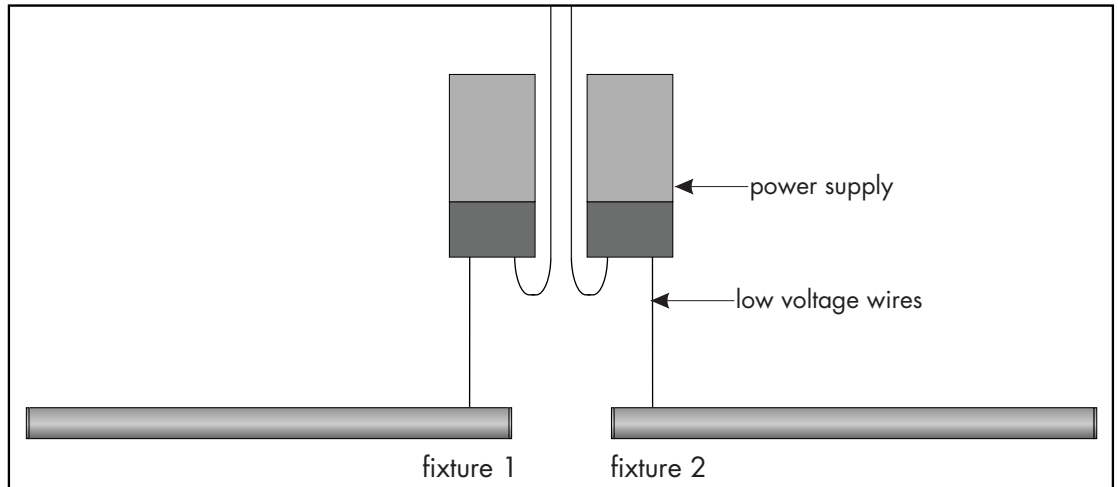
Page 6 of 6

Multiple powerfeed layouts

power supplies at the end of the run



power supplies in the middle of the run



consecutive layout, NOT RECOMMENDED

