

### Features

F.O.T.™ IP67 is a collection of high performance precision optics distinguished by its industry leading size to efficacy ratio and ability to seamlessly interconnect. F.O.T.™ IP67 allows for surface mount solutions for beam control in wall washing, grazing, spot and asymmetric distributions for limitless design scenarios.

### Mounting

FOT Flex strip is equipped with adhesive tape.

### Applications

Outdoor / wet location, above cabinet, cove lighting, counter & architectural accents, under banisters, decks, gazebos, barbeque stations and wet bars.

### IP67 Rated

Deemed fit enough to withstand dust, dirt and sand, and are resistant to submersion up to a maximum depth of 1m depth for up to 30 mins.

#### Operating Voltage

24 VDC

#### Operating Temperature

-20°C to 50°C

#### Life (L70)

50,000 Hours

#### Warranty

3 years



### Technical Information

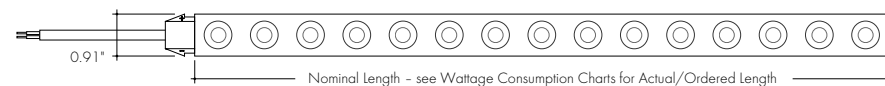
Model	Narrow		Asymmetric	
	SO	HO	SO	HO
Light Output (3000K)	415 lm/ft	625 lm/ft	310 lm/ft	557 lm/ft
Average Power Consumption (for a 4' section)	4.8 W/ft	5.8 W/ft	4.8 W/ft	5.2 W/ft
Efficacy	86 lm/W	106 lm/W	65 lm/W	108 lm/W
Ordering Increment (in)	6.5"		6.5"	8.5"
Max Strip Length (ft)	16 ft	13.5 ft	16 ft	16 ft
Max Run Length (in series)	20 ft	16 ft	20 ft	18 ft
Minimum Bending Radius	4.0"			

CCT	Multiplier (referenced from 3000K)	TM-30			
		CRI	R <sub>f</sub>	R <sub>g</sub>	R <sub>9</sub>
2700K	0.92	95	91	98	55
3000K	1.00	95	91	100	59
3500K	1.04	94	91	102	64
4000K	1.04	94	91	102	68

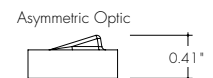
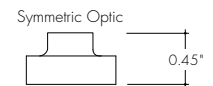
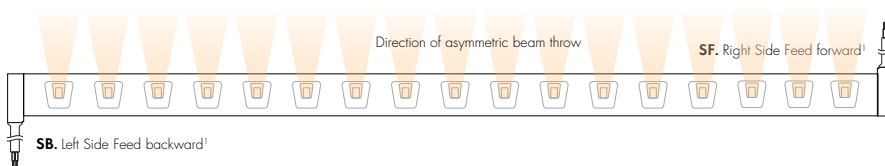
### Section Start/End Options

#### Feed Type

E. End Feed

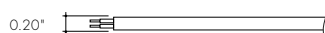


N. None (End Cap)

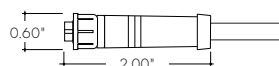


#### Connector Options

L. Lead Wires, 72"



F. Female Connector, 8" wire



M. Male Connector, 8" wire



### Ordering Code - 6 weeks typical lead time for F.O.T. strip

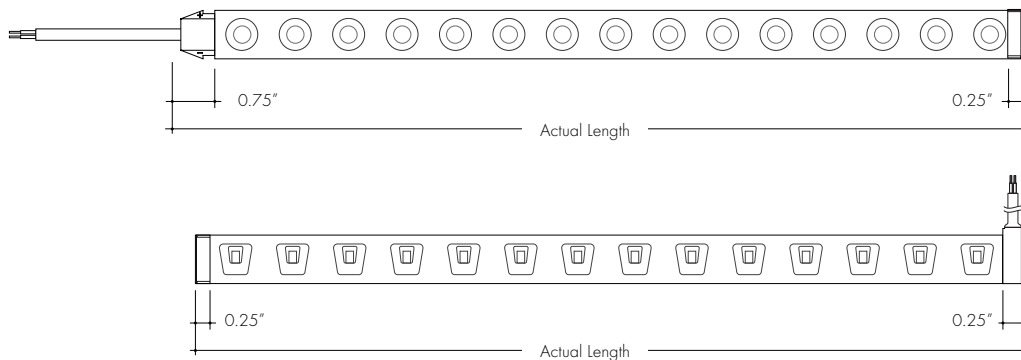
MODEL	OPTICS	OUTPUT	CCT	LEFT SIDE	LEFT TYPE	LEFT CONNECTOR	RIGHT SIDE	RIGHT TYPE	RIGHT CONNECTOR	LENGTH (IN)
				L			R			
FOT-FOT FLEX	NA -Narrow AS -Asymmetric	SO - Standard HO - High	27K -2700K 30K -3000K 35K -3500K 40K -4000K		E -End feed SF -Side feed forward <sup>1</sup> SB -Side feed backward <sup>1</sup> N -None (end cap) <sup>2</sup>	M -Male F -Female L -Lead wires N -No feed <sup>2</sup>		E -End feed SF -Side feed forward <sup>1</sup> SB -Side feed backward <sup>1</sup> N -None (end cap) <sup>2</sup>	M -Male F -Female L -Lead wires N -No feed <sup>2</sup>	View table above for increment options, max strip length limits, and max run length limits.

1 - Side feeds are incompatible (too wide) with extrusions, available for F.O.T. strip only.  
2 - None and No Feed selections must and can only be used together (LNN or RNN).

### Power Consumption

Based on operation with PDC series of power supplies. Use Actual Length for Order Code Entry.

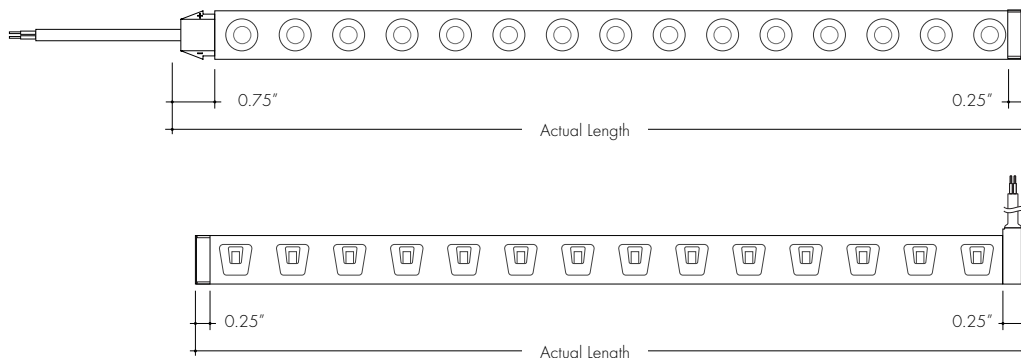
Nominal Length (in)	W	Actual Length (in) FOT-NA-SO					Nominal Length (in)	W	Actual Length (in) FOT-NA-SO				
		N & SF or SB	N & E	E & SF or SB	E & E	SF or SB & SF or SB			N & SF or SB	N & E	E & SF or SB	E & E	SF or SB & SF or SB
6.6	2.6	<b>7.1</b>	<b>7.6</b>	<b>8.1</b>	<b>8.6</b>	<b>7.6</b>	124.6	49.8	<b>125.1</b>	<b>125.6</b>	<b>126.1</b>	<b>126.6</b>	<b>125.6</b>
(1 ft) 13.1	5.2	<b>13.6</b>	<b>14.1</b>	<b>14.6</b>	<b>15.1</b>	<b>14.1</b>	(11 ft) 131.2	52.5	<b>131.7</b>	<b>132.2</b>	<b>132.7</b>	<b>133.2</b>	<b>132.2</b>
19.7	7.9	<b>20.2</b>	<b>20.7</b>	<b>21.2</b>	<b>21.7</b>	<b>20.7</b>	137.7	55.1	<b>138.2</b>	<b>138.7</b>	<b>139.2</b>	<b>139.7</b>	<b>138.7</b>
(2 ft) 26.2	10.5	<b>26.7</b>	<b>27.2</b>	<b>27.7</b>	<b>28.2</b>	<b>27.2</b>	(12 ft) 144.3	57.7	<b>144.8</b>	<b>145.3</b>	<b>145.8</b>	<b>146.3</b>	<b>145.3</b>
32.8	13.1	<b>33.3</b>	<b>33.8</b>	<b>34.3</b>	<b>34.8</b>	<b>33.8</b>	150.9	60.3	<b>151.4</b>	<b>151.9</b>	<b>152.4</b>	<b>152.9</b>	<b>151.9</b>
(3 ft) 39.4	15.7	<b>39.9</b>	<b>40.4</b>	<b>40.9</b>	<b>41.4</b>	<b>40.4</b>	(13 ft) 157.4	63.0	<b>157.9</b>	<b>158.4</b>	<b>158.9</b>	<b>159.4</b>	<b>158.4</b>
(4 ft) 45.9	18.4	<b>46.4</b>	<b>46.9</b>	<b>47.4</b>	<b>47.9</b>	<b>46.9</b>	164.0	65.6	<b>164.5</b>	<b>165</b>	<b>165.5</b>	<b>166</b>	<b>165</b>
52.5	21.0	<b>53</b>	<b>53.5</b>	<b>54</b>	<b>54.5</b>	<b>53.5</b>	(14 ft) 170.5	68.2	<b>171</b>	<b>171.5</b>	<b>172</b>	<b>172.5</b>	<b>171.5</b>
(5 ft) 59.0	23.6	<b>59.5</b>	<b>60</b>	<b>60.5</b>	<b>61</b>	<b>60</b>	(15 ft) 177.1	70.8	<b>177.6</b>	<b>178.1</b>	<b>178.6</b>	<b>179.1</b>	<b>178.1</b>
65.6	26.2	<b>66.1</b>	<b>66.6</b>	<b>67.1</b>	<b>67.6</b>	<b>66.6</b>	183.7	73.5	<b>184.2</b>	<b>184.7</b>	<b>185.2</b>	<b>185.7</b>	<b>184.7</b>
(6 ft) 72.1	28.9	<b>72.6</b>	<b>73.1</b>	<b>73.6</b>	<b>74.1</b>	<b>73.1</b>	(16 ft) 190.2	76.1	<b>190.7</b>	<b>191.2</b>	<b>191.7</b>	<b>192.2</b>	<b>191.2</b>
78.7	31.5	<b>79.2</b>	<b>79.7</b>	<b>80.2</b>	<b>80.7</b>	<b>79.7</b>							
(7 ft) 85.3	34.1	<b>85.8</b>	<b>86.3</b>	<b>86.8</b>	<b>87.3</b>	<b>86.3</b>							
91.8	36.7	<b>92.3</b>	<b>92.8</b>	<b>93.3</b>	<b>93.8</b>	<b>92.8</b>							
(8 ft) 98.4	39.4	<b>98.9</b>	<b>99.4</b>	<b>99.9</b>	<b>100.4</b>	<b>99.4</b>							
104.9	42.0	<b>105.4</b>	<b>105.9</b>	<b>106.4</b>	<b>106.9</b>	<b>105.9</b>							
(9 ft) 111.5	44.6	<b>112</b>	<b>112.5</b>	<b>113</b>	<b>113.5</b>	<b>112.5</b>							
(10 ft) 118.1	47.2	<b>118.6</b>	<b>119.1</b>	<b>119.6</b>	<b>120.1</b>	<b>119.1</b>							



### Power Consumption

Based on operation with PDC series of power supplies. Use Actual Length for Order Code Entry.

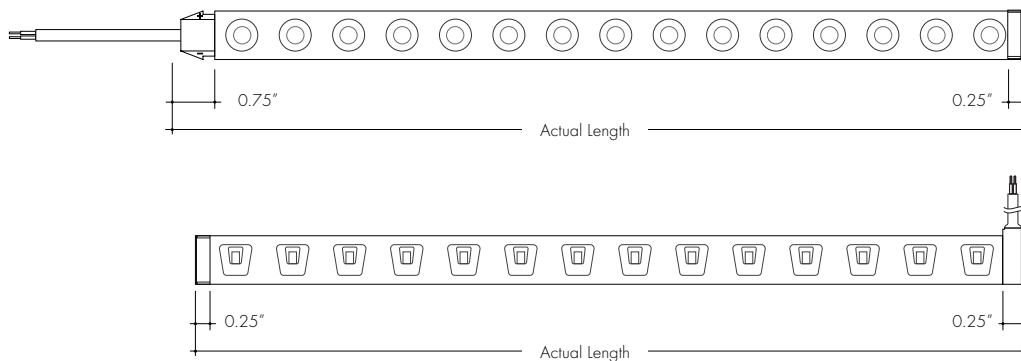
Nominal Length (in)	W	Actual Length (in) FOT-NA-HO				
		N & SF or SB	N & E	E & SF or SB	E & E	SF or SB & SF or SB
6.6	3.2	<b>7.1</b>	<b>7.6</b>	<b>8.1</b>	<b>8.6</b>	<b>7.6</b>
(1 ft) 13.1	6.3	<b>13.6</b>	<b>14.1</b>	<b>14.6</b>	<b>15.1</b>	<b>14.1</b>
19.7	9.5	<b>20.2</b>	<b>20.7</b>	<b>21.2</b>	<b>21.7</b>	<b>20.7</b>
(2 ft) 26.2	12.7	<b>26.7</b>	<b>27.2</b>	<b>27.7</b>	<b>28.2</b>	<b>27.2</b>
32.8	15.9	<b>33.3</b>	<b>33.8</b>	<b>34.3</b>	<b>34.8</b>	<b>33.8</b>
(3 ft) 39.4	19.0	<b>39.9</b>	<b>40.4</b>	<b>40.9</b>	<b>41.4</b>	<b>40.4</b>
(4 ft) 45.9	22.2	<b>46.4</b>	<b>46.9</b>	<b>47.4</b>	<b>47.9</b>	<b>46.9</b>
52.5	25.4	<b>53</b>	<b>53.5</b>	<b>54</b>	<b>54.5</b>	<b>53.5</b>
(5 ft) 59.0	28.5	<b>59.5</b>	<b>60</b>	<b>60.5</b>	<b>61</b>	<b>60</b>
65.6	31.7	<b>66.1</b>	<b>66.6</b>	<b>67.1</b>	<b>67.6</b>	<b>66.6</b>
(6 ft) 72.1	34.9	<b>72.6</b>	<b>73.1</b>	<b>73.6</b>	<b>74.1</b>	<b>73.1</b>
78.7	38.0	<b>79.2</b>	<b>79.7</b>	<b>80.2</b>	<b>80.7</b>	<b>79.7</b>
(7 ft) 85.3	41.2	<b>85.8</b>	<b>86.3</b>	<b>86.8</b>	<b>87.3</b>	<b>86.3</b>
91.8	44.4	<b>92.3</b>	<b>92.8</b>	<b>93.3</b>	<b>93.8</b>	<b>92.8</b>
(8 ft) 98.4	47.6	<b>98.9</b>	<b>99.4</b>	<b>99.9</b>	<b>100.4</b>	<b>99.4</b>
104.9	50.7	<b>105.4</b>	<b>105.9</b>	<b>106.4</b>	<b>106.9</b>	<b>105.9</b>
(9 ft) 111.5	53.9	<b>112</b>	<b>112.5</b>	<b>113</b>	<b>113.5</b>	<b>112.5</b>
(10 ft) 118.1	57.1	<b>118.6</b>	<b>119.1</b>	<b>119.6</b>	<b>120.1</b>	<b>119.1</b>
124.6	60.2	<b>125.1</b>	<b>125.6</b>	<b>126.1</b>	<b>126.6</b>	<b>125.6</b>
(11 ft) 131.2	63.4	<b>131.7</b>	<b>132.2</b>	<b>132.7</b>	<b>133.2</b>	<b>132.2</b>
137.7	66.6	<b>138.2</b>	<b>138.7</b>	<b>139.2</b>	<b>139.7</b>	<b>138.7</b>
(12 ft) 144.3	69.7	<b>144.8</b>	<b>145.3</b>	<b>145.8</b>	<b>146.3</b>	<b>145.3</b>
150.9	72.9	<b>151.4</b>	<b>151.9</b>	<b>152.4</b>	<b>152.9</b>	<b>151.9</b>
(13 ft) 157.4	76.1	<b>157.9</b>	<b>158.4</b>	<b>158.9</b>	<b>159.4</b>	<b>158.4</b>



### Power Consumption

Based on operation with PDC series of power supplies. Use Actual Length for Order Code Entry.

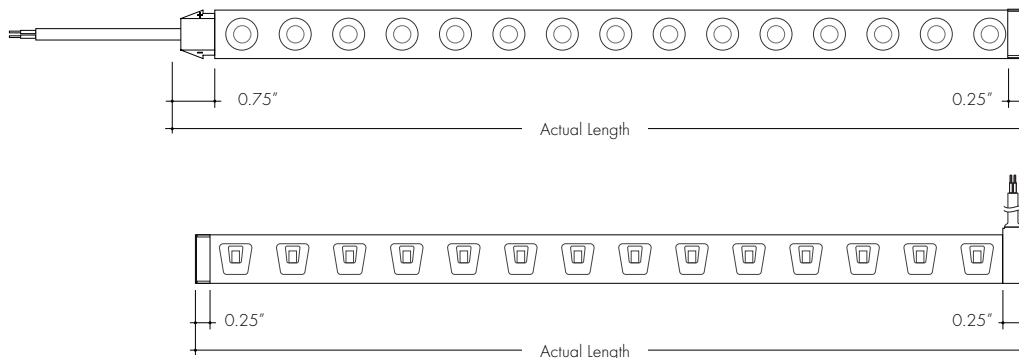
Nominal Length (in)	W	Actual Length (in) FOT-ASSO					Nominal Length (in)	W	Actual Length (in) FOT-ASSO				
		N & SF or SB	N & E	E & SF or SB	E & E	SF or SB & SF or SB			N & SF or SB	N & E	E & SF or SB	E & E	SF or SB & SF or SB
6.6	2.6	<b>7.1</b>	<b>7.6</b>	<b>8.1</b>	<b>8.6</b>	<b>7.6</b>	124.6	49.8	<b>125.1</b>	<b>125.6</b>	<b>126.1</b>	<b>126.6</b>	<b>125.6</b>
(1 ft) 13.1	5.2	<b>13.6</b>	<b>14.1</b>	<b>14.6</b>	<b>15.1</b>	<b>14.1</b>	(11 ft) 131.2	52.5	<b>131.7</b>	<b>132.2</b>	<b>132.7</b>	<b>133.2</b>	<b>132.2</b>
19.7	7.9	<b>20.2</b>	<b>20.7</b>	<b>21.2</b>	<b>21.7</b>	<b>20.7</b>	137.7	55.1	<b>138.2</b>	<b>138.7</b>	<b>139.2</b>	<b>139.7</b>	<b>138.7</b>
(2 ft) 26.2	10.5	<b>26.7</b>	<b>27.2</b>	<b>27.7</b>	<b>28.2</b>	<b>27.2</b>	(12 ft) 144.3	57.7	<b>144.8</b>	<b>145.3</b>	<b>145.8</b>	<b>146.3</b>	<b>145.3</b>
32.8	13.1	<b>33.3</b>	<b>33.8</b>	<b>34.3</b>	<b>34.8</b>	<b>33.8</b>	150.9	60.3	<b>151.4</b>	<b>151.9</b>	<b>152.4</b>	<b>152.9</b>	<b>151.9</b>
(3 ft) 39.4	15.7	<b>39.9</b>	<b>40.4</b>	<b>40.9</b>	<b>41.4</b>	<b>40.4</b>	(13 ft) 157.4	63.0	<b>157.9</b>	<b>158.4</b>	<b>158.9</b>	<b>159.4</b>	<b>158.4</b>
(4 ft) 45.9	18.4	<b>46.4</b>	<b>46.9</b>	<b>47.4</b>	<b>47.9</b>	<b>46.9</b>	164.0	65.6	<b>164.5</b>	<b>165</b>	<b>165.5</b>	<b>166</b>	<b>165</b>
52.5	21.0	<b>53</b>	<b>53.5</b>	<b>54</b>	<b>54.5</b>	<b>53.5</b>	(14 ft) 170.5	68.2	<b>171</b>	<b>171.5</b>	<b>172</b>	<b>172.5</b>	<b>171.5</b>
(5 ft) 59.0	23.6	<b>59.5</b>	<b>60</b>	<b>60.5</b>	<b>61</b>	<b>60</b>	(15 ft) 177.1	70.8	<b>177.6</b>	<b>178.1</b>	<b>178.6</b>	<b>179.1</b>	<b>178.1</b>
65.6	26.2	<b>66.1</b>	<b>66.6</b>	<b>67.1</b>	<b>67.6</b>	<b>66.6</b>	183.7	73.5	<b>184.2</b>	<b>184.7</b>	<b>185.2</b>	<b>185.7</b>	<b>184.7</b>
(6 ft) 72.1	28.9	<b>72.6</b>	<b>73.1</b>	<b>73.6</b>	<b>74.1</b>	<b>73.1</b>	(16 ft) 190.2	76.1	<b>190.7</b>	<b>191.2</b>	<b>191.7</b>	<b>192.2</b>	<b>191.2</b>
78.7	31.5	<b>79.2</b>	<b>79.7</b>	<b>80.2</b>	<b>80.7</b>	<b>79.7</b>							
(7 ft) 85.3	34.1	<b>85.8</b>	<b>86.3</b>	<b>86.8</b>	<b>87.3</b>	<b>86.3</b>							
91.8	36.7	<b>92.3</b>	<b>92.8</b>	<b>93.3</b>	<b>93.8</b>	<b>92.8</b>							
(8 ft) 98.4	39.4	<b>98.9</b>	<b>99.4</b>	<b>99.9</b>	<b>100.4</b>	<b>99.4</b>							
104.9	42.0	<b>105.4</b>	<b>105.9</b>	<b>106.4</b>	<b>106.9</b>	<b>105.9</b>							
(9 ft) 111.5	44.6	<b>112</b>	<b>112.5</b>	<b>113</b>	<b>113.5</b>	<b>112.5</b>							
(10 ft) 118.1	47.2	<b>118.6</b>	<b>119.1</b>	<b>119.6</b>	<b>120.1</b>	<b>119.1</b>							



### Power Consumption

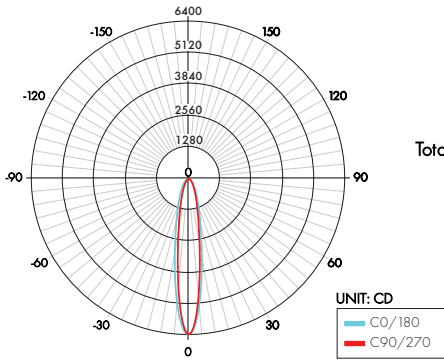
Based on operation with PDC series of power supplies. Use Actual Length for Order Code Entry.

Nominal Length (in)	W	Actual Length (in) FOT-AS-HO				
		N & SF or SB	N & E	E & SF or SB	E & E	SF or SB & SF or SB
(1 ft) 8.5	3.7	<b>9</b>	<b>9.5</b>	<b>10</b>	<b>10.5</b>	<b>9.5</b>
16.9	7.3	<b>17.4</b>	<b>17.9</b>	<b>18.4</b>	<b>18.9</b>	<b>17.9</b>
(2 ft) 25.4	11.0	<b>25.9</b>	<b>26.4</b>	<b>26.9</b>	<b>27.4</b>	<b>26.4</b>
(3 ft) 33.9	14.7	<b>34.4</b>	<b>34.9</b>	<b>35.4</b>	<b>35.9</b>	<b>34.9</b>
42.3	18.3	<b>42.8</b>	<b>43.3</b>	<b>43.8</b>	<b>44.3</b>	<b>43.3</b>
(4 ft) 50.8	22.0	<b>51.3</b>	<b>51.8</b>	<b>52.3</b>	<b>52.8</b>	<b>51.8</b>
(5 ft) 59.3	25.7	<b>59.8</b>	<b>60.3</b>	<b>60.8</b>	<b>61.3</b>	<b>60.3</b>
67.7	29.3	<b>68.2</b>	<b>68.7</b>	<b>69.2</b>	<b>69.7</b>	<b>68.7</b>
(6 ft) 76.2	33.0	<b>76.7</b>	<b>77.2</b>	<b>77.7</b>	<b>78.2</b>	<b>77.2</b>
(7 ft) 84.6	36.7	<b>85.1</b>	<b>85.6</b>	<b>86.1</b>	<b>86.6</b>	<b>85.6</b>
(8 ft) 93.1	40.3	<b>93.6</b>	<b>94.1</b>	<b>94.6</b>	<b>95.1</b>	<b>94.1</b>
101.6	44.0	<b>102.1</b>	<b>102.6</b>	<b>103.1</b>	<b>103.6</b>	<b>102.6</b>
(9 ft) 110.0	47.7	<b>110.5</b>	<b>111</b>	<b>111.5</b>	<b>112</b>	<b>111</b>
(10 ft) 118.5	51.4	<b>119</b>	<b>119.5</b>	<b>120</b>	<b>120.5</b>	<b>119.5</b>
127.0	55.0	<b>127.5</b>	<b>128</b>	<b>128.5</b>	<b>129</b>	<b>128</b>
(11 ft) 135.4	58.7	<b>135.9</b>	<b>136.4</b>	<b>136.9</b>	<b>137.4</b>	<b>136.4</b>
(12 ft) 143.9	62.4	<b>144.4</b>	<b>144.9</b>	<b>145.4</b>	<b>145.9</b>	<b>144.9</b>
(13 ft) 152.4	66.0	<b>152.9</b>	<b>153.4</b>	<b>153.9</b>	<b>154.4</b>	<b>153.4</b>
160.8	69.7	<b>161.3</b>	<b>161.8</b>	<b>162.3</b>	<b>162.8</b>	<b>161.8</b>
(14 ft) 169.3	73.4	<b>169.8</b>	<b>170.3</b>	<b>170.8</b>	<b>171.3</b>	<b>170.3</b>
(15 ft) 177.8	77.0	<b>178.3</b>	<b>178.8</b>	<b>179.3</b>	<b>179.8</b>	<b>178.8</b>
186.2	80.7	<b>186.7</b>	<b>187.2</b>	<b>187.7</b>	<b>188.2</b>	<b>187.2</b>



Photometry

FOTNA-SO-30K



Zonal Lumen Summary

Zone	Lumen	% Fixture
0-30	1,356	75.5%
0-40	1,519	84.6%
0-60	1,659	92.3%
0-90	1,738	96.8%
0-180	1,796	100.0%

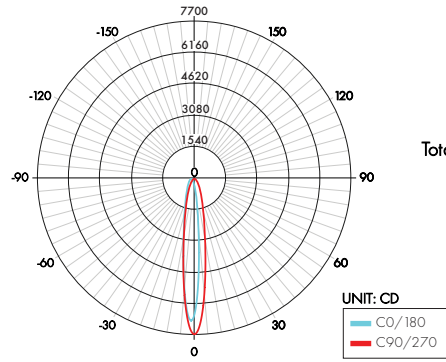
Total

Beam Angle



UNIT: CD  
 — C0/180  
 — C90/270

FOTNA+HO-30K



Zonal Lumen Summary

Zone	Lumen	% Fixture
0-30	1,657	72.3%
0-40	1,886	82.2%
0-60	2,074	90.5%
0-90	2,189	95.5%
0-180	2,292	100.0%

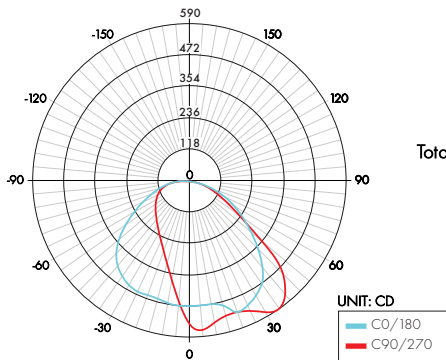
Total

Beam Angle



UNIT: CD  
 — C0/180  
 — C90/270

FOTAS-SO-3000K



Zonal Lumen Summary

Zone	Lumen	% Fixture
0-30	364	26.9%
0-40	616	45.5%
0-60	1,082	80.0%
0-90	1,301	96.2%
0-180	1,352	100.0%

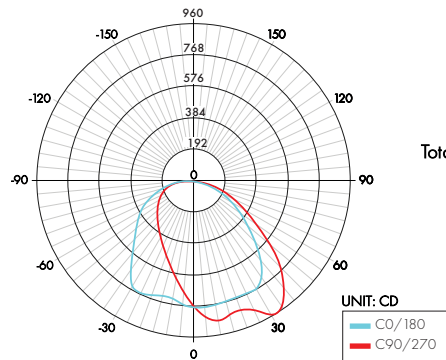
Total

Beam Angle



UNIT: CD  
 — C0/180  
 — C90/270

FOTAS+HO-3000K



Zonal Lumen Summary

Zone	Lumen	% Fixture
0-30	558	28.4%
0-40	914	46.5%
0-60	1,564	79.6%
0-90	1,894	96.4%
0-180	1,966	100.0%

Total

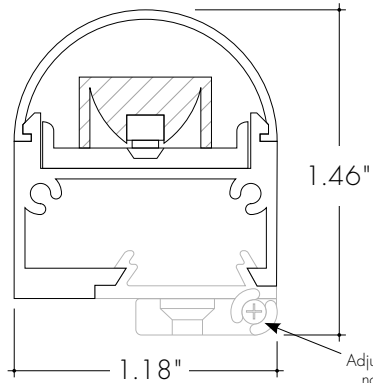
Beam Angle



UNIT: CD  
 — C0/180  
 — C90/270

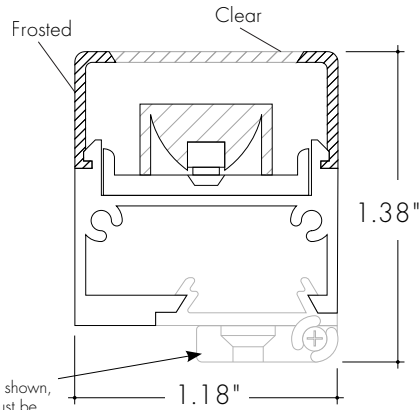
**F.O.T. Extrusions**

**Compatible Extrusions**



FOT Channel, 96 inches, Clear Round Lens

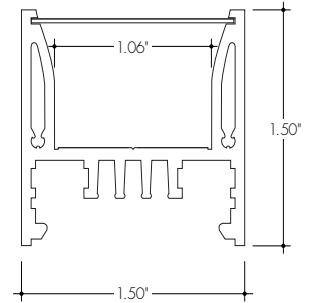
**FOTC-R-96-C-SA**



FOT Channel, 96 inches, Square Lens

**FOTC-S-96-C-SA**

Not Suitable for Asymmetric FOT; use Narrow optic FOT only in these extrusions.

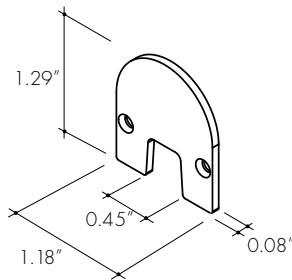


Kilo Channel

**KILOC-144-[LENS]-[FINISH]**

See Kilo Channel specification sheet for channel detail, options, and accessories. Not Suitable for Asymmetric FOT; use Narrow optic FOT only in these extrusions.

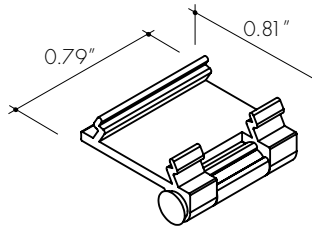
**F.O.T. Extrusions Accessories (not compatible with Kilo extrusion)**



Round Endcap

**EC-FOTC-R-H3-SA**

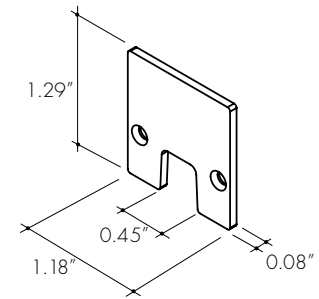
Endcap for channels utilizing the round lens.



Adjustable Bracket

**MB-FOTC-A-SA**

Recommended every 1.5' of channel.

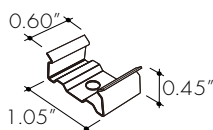


Square Endcap

**EC-FOTC-S-H3-SA**

Endcap for channels utilizing the square lens.

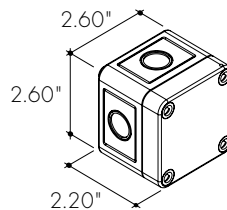
**F.O.T. Accessories**



Mounting Bracket

**MB-FOT-FLEX**

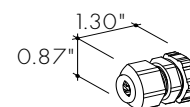
Recommended every 20", when not using a channel.



Splice Box

**LVSP-WET**

Wet rated, low voltage splice box, gray.



Connector

**LVSP-WET-CM**

Low voltage splice box wet cable, management gray.

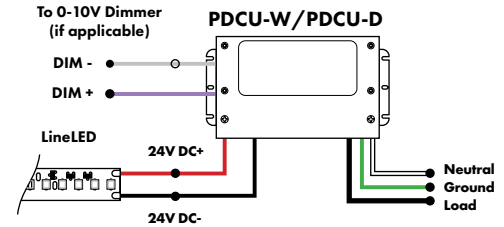
## Power Supplies

See Power Supply instructions and spec sheet for wiring information. For a complete list of compatible dimmers, see Compatible Dimming Chart on the Resources page.

### Universal Power Supply 1% 120VAC - 277VAC

MODEL	POWER	OUTPUT
PDCU-D - IP20 Dry Series	30 - 30 W 60 - 60 W 96 - 96 W 3X96 - 3X96 W	24 - 24 VDC
PDCU-W - IP66 Wet Series	96 - 96 W 3X96 - 3X96 W	

0-10V dims down to 1%, MLV/ELV/TRIAC dims down to 1%.  
For a complete list of compatible dimmers, see [Compatible Dimming Chart](#) on the Resources page.

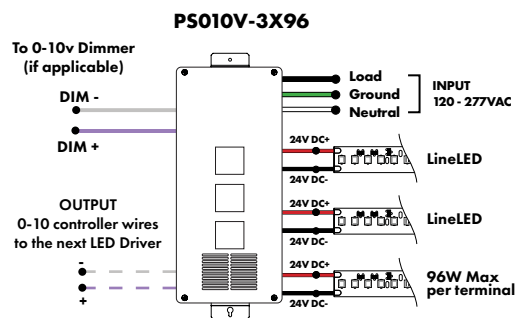
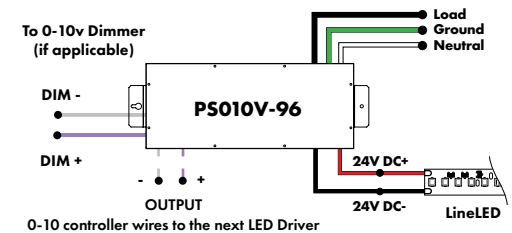


MODELS	PDCU-W 96W	PDCU-W 3X96W	PDCU-D 30W	PDCU-D 60W	PDCU-D 96W	PDCU-D 3X96W
<b>Length</b>	8.66"	11.85"	6.10"	7.93"	8.25"	9.57"
<b>Width</b>	3.73"	4.32"	3.35"	3.35"	4.10"	5.94"
<b>Depth</b>	1.61"	1.81"	1.33"	1.32"	1.56"	1.13"

### 0-10V Dimming Power Supplies 0.1% 120VAC - 277VAC

MODEL	POWER	OUTPUT	DIMMING
PS010V - 0-10V Power Supply dims down to 0.1%	96 - 96 Watt 3X96 - 3 X 96 Watt	24 - 24 VDC	LIN - Linear LOG - Logarithmic

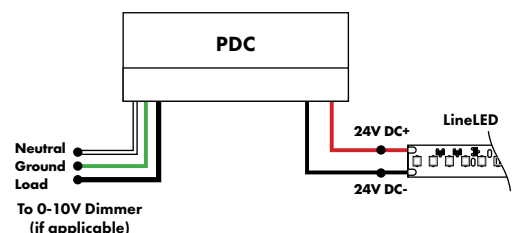
MODELS	96W	3X96
<b>Length</b>	14.40"	15.75"
<b>Width</b>	5.20"	6.62"
<b>Depth</b>	2.60"	4.95"



### Triac, MLV, & ELV Compatible Dimmers

MODEL	POWER	OUTPUT
PDC - (IP20) Power Supply	96 - 96 Watts	24 - 24 VDC

MODELS	96W
<b>Length</b>	8.25"
<b>Width</b>	4.10"
<b>Depth</b>	1.56"





## Power Supplies

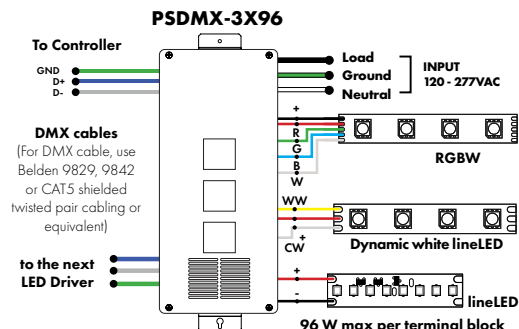
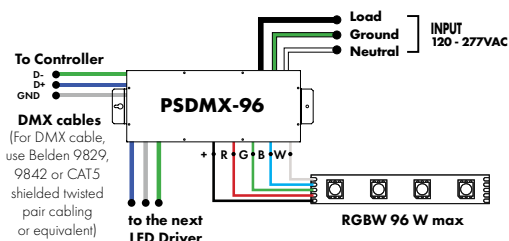
See Power Supply instructions and spec sheet for wiring information. For a complete list of compatible dimmers, see Compatible Dimming Chart on the Resources page.

### DMX Dimming Power Supplies 120VAC - 277VAC

MODEL	POWER	OUTPUT
PSDMX - DMX Power Supply dims down to 0%	96 - 96 Watt 3X96 - 3 X 96 Watt	24 - 24 VDC

Features eldoLED's LINEARdrive configurable dimmable drivers

MODELS	96W	3X96
Length	14.40"	15.75"
Width	5.20"	6.62"
Depth	2.60"	4.95"

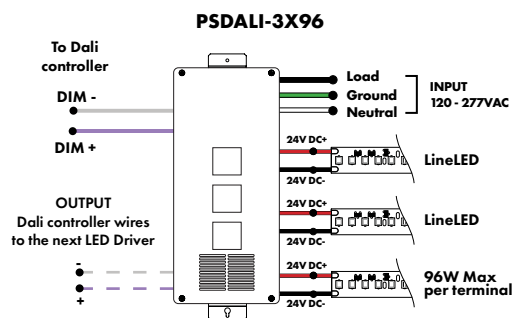
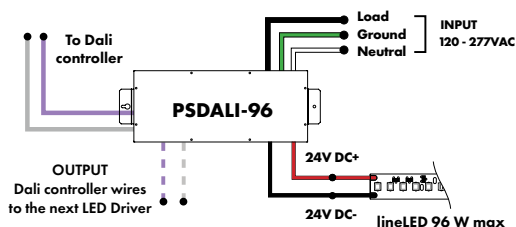


### DALI 0% Dimming Power Supplies 120VAC - 277VAC

MODEL	POWER	OUTPUT
PSDALI - DALI Power Supply dims down to 0%	96 - 96 Watt 3X96 - 3 X 96 Watt	24 - 24 VDC

Features eldoLED's LINEARdrive configurable dimmable drivers

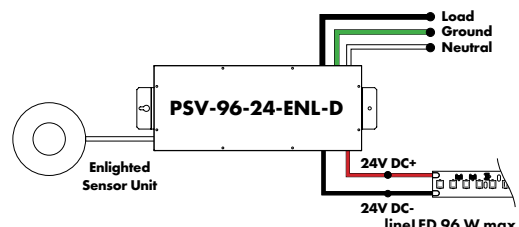
Model	96W	3X96
Length	14.40"	15.75"
Width	5.20"	6.62"
Depth	2.60"	4.95"



### Enlighted Enabled Dimming Power Supplies 120VAC - 277VAC

MODEL	POWER	OUTPUT	DIMMING	LOCATION
PSV - PSV Series	96 - 96 Watt	24 - 24 VDC	ENL - Enlighted Dimming dims down to 0%	D - Damp

Model	96W
Length	14.40"
Width	5.20"
Depth	2.60"



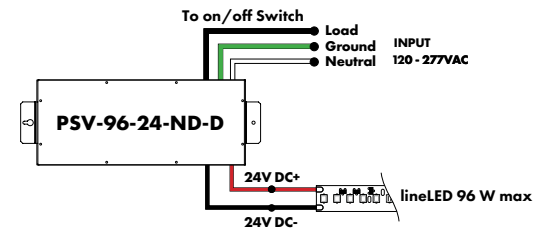
## Power Supplies

See Power Supply instructions and spec sheet for wiring information. For a complete list of compatible dimmers, see Compatible Dimming Chart on the Resources page.

### Non-Dimming Power Supply 120VAC - 277VAC

MODEL	POWER	OUTPUT	DIMMING	LOCATION
PSV - PSV Series	96 - 96 Watt	24 - 24 VDC	ND - Non Dimming	D - Damp

MODELS	96W
Length	14.40"
Width	5.20"
Depth	2.60"



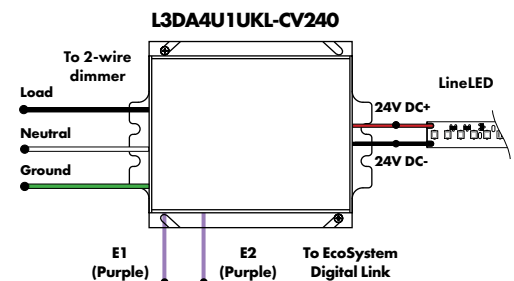
Luminii is a Lutron OEM Advantage Partner

### Lutron Power Supplies 1%

MODEL
L3DA4U1UKL-CV240

HiLume™ 1% EcoSystem Voltage LED driver  
40W max

MODELS	L3DA4U1UKL-CV240
Length	4.98"
Width	4.00"
Depth	2.62"



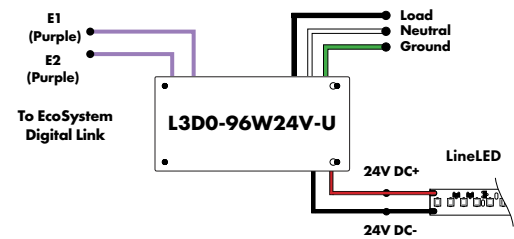
Luminii is a Lutron OEM Advantage Partner

### Lutron Power Supplies 0.1%

MODEL
L3D0-96W24V-U

HiLume™ 0.1% EcoSystem Voltage LED Driver with Soft-On, Fade-to-Black™  
96W max

MODELS	L3D0
Length	10.50"
Width	5.50"
Depth	2.00"



### In-Ground Power Supplies

MODEL	POWER	OUTPUT	INPUT
IG - In ground CVE Series CVE - ELV Dimming DALI - eldoLED Dali dimming Both dims down to 0%	96X2 - 2 X 96 Watt	24 - 24 VDC	Blank - 120 V 277 - 240/277 V

MODELS	Dual Circuit
Length	8.40"
Width	8.30"
Depth	8.10"

