

## Features

- 24VDC Class 2 fixtures made to order up to 144".
- Comes with 8ft silver adjustable cable
- Single micro binned LEDs +/- 30 CCT
- Class 2 listed for damp locations
- Dot free even illumination
- Proprietary strong bond solder method handles up to 50 lbs of pull force on wire leads and connectors
- High Color Quality options offer premium quality and vibrant colors with R9 values up to 97
- High Efficacy options offer best in class output and efficacy with over 725 lm/ft and up to 91 lm/W
- 5 Year warranty

## Finish Options (see page 2 for additional information)

- Silver Anodized
- White
- Aged Brass
- Black
- Matte Black
- Polished Gold
- Bronze
- Warm Nickel
- Chrome



## Technical Information

MODEL	High Color Quality		High Efficacy				High Efficacy	
	60X2HO	60X2VHO	HE48LO	HE48SO	HE48MO	HE48HO	HE64VHO	HE64XHO
<b>OUTPUT OPTIONS</b>								
<b>Lumens Output (3000K)</b> <small>(with a Frosted Lens)</small>	434 lm/ft	542 lm/ft	172 lm/ft	239 lm/ft	319 lm/ft	511 lm/ft	647 lm/ft	727 lm/ft
<b>Average Power Consumption</b> <small>(for a 4' section)</small>	7.3 W/ft	9.4 W/ft	1.9 W/ft	2.8 W/ft	3.5 W/ft	6.5 W/ft	7.5 W/ft	9.6 W/ft
<b>Efficacy</b>	59 lm/W	58 lm/W	91 lm/W	85 lm/W	91 lm/W	79 lm/W	86 lm/W	76 lm/W
<b>Max Run Length</b> <small>(in series)</small>	26 ft	21 ft	48 ft	42 ft	33 ft	21 ft	15 ft	13 ft
<b>Max Ambient Temperature*</b>	50°C [122°F]		50°C [122°F]				50°C [122°F]	

\*Max Ambient Temperature to maintain L70 of 50k+ hours. Exceeding Max Ambient Temperature may result in decreased life/output. Consult Technical Support for specific inquiries.

### High Color Quality (60X2)

CCT	Multiplier <small>(reference - 3000K)</small>	CRI	TM-30		
			R <sub>f</sub>	R <sub>g</sub>	R <sub>9</sub>
2200K	0.70	96	95	101	89
2400K	0.72	98	97	101	91
2700K	0.74	97	96	101	91
3000K	1.00	97	95	104	97
3500K	1.02	97	94	105	97
4100K	1.07	97	90	99	97

### High Efficacy (HE48/HE64)

CCT	Multiplier <small>(reference - 3000K)</small>	CRI	TM-30		
			R <sub>f</sub>	R <sub>g</sub>	R <sub>9</sub>
2200K	0.73	92	91	97	42
2500K	0.81	93	96	96	62
2700K	0.94	92	90	99	58
3000K	1.00	92	89	99	57
3500K	1.02	92	89	99	60
4000K	1.02	92	86	94	71

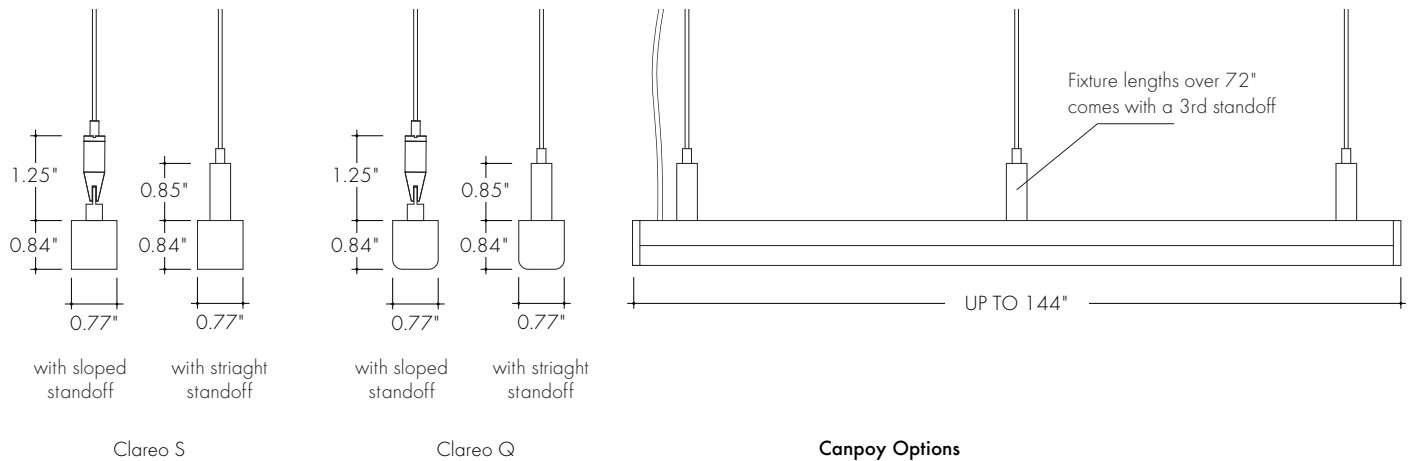
## Ordering Code

MODEL	LENGTH <sup>1</sup>	OUTPUT	CCT	LENS <sup>2</sup>	STANDOFF TYPE	FINISH <sup>3,4</sup>	POSITION TYPE	POWER FEED
CLS-Clareo S CLQ-Clareo Q	12" - 144" 2" increments	60X2HO-High 60X2VHO-Very High	22K-2200K 24K-2400K 27K-2700K 30K-3000K 35K-3500K 41K-4100K	F-Frosted	S-Straight P-Sloped	SA-Silver Anodized BK-Black BZ-Bronze WH-White MBK-Matte Black WN-Warm Nickel AB-Aged Brass PG-Polished Gold <sup>5</sup> CH-Chrome <sup>5</sup>	B-Back	R-Remote power supply INT120-Lutron HiLume A Series ELV dimming, Integral power supply 120VAC, MAX 40W, see wattage chart for compatibility INT277-LIF ELV dimming, Integral power supply 277VAC, MAX 60W, see wattage chart for compatibility INTECO-Lutron HiLume A Series L3D Integral power supply 120-277VAC Ecosystem, MAX 40W, see wattage chart for compatibility  Up to two power supplies will be provided when exceeding specified power supply max wattage. See Power Consumption Charts for output wattage requirements.
		HE48LO-Low HE48SO-Standard HE48MO-Medium HE48HO-High HE64VHO-Very High HE64XHO-Max	27K-2700K 30K-3000K 35K-3500K 40K-4000K					

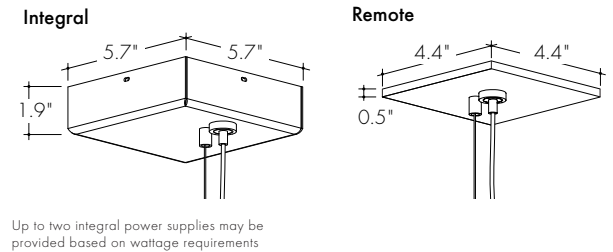
1 - Custom lengths and increments are available, please consult Inside Sales with specific request.  
2 - All High Efficacy options can be used to comply with Title 24 JAB. High Color Quality options can be used to comply with Title 24 JAB depending on Output, CCT, and Lens selection. See multiplier charts to calculate specific efficacies.

3 - Non SA finishes may have extended lead times. Custom RALs are available, please consult Inside Sales with specific request.  
4 - White canopy included with all finishes except Black and Matte Black, which include a Black canopy.  
5 - Polished Gold finishes have a maximum fixture length of 48", and Chrome finishes have a maximum fixture length of 72".

**Product Dimensions**

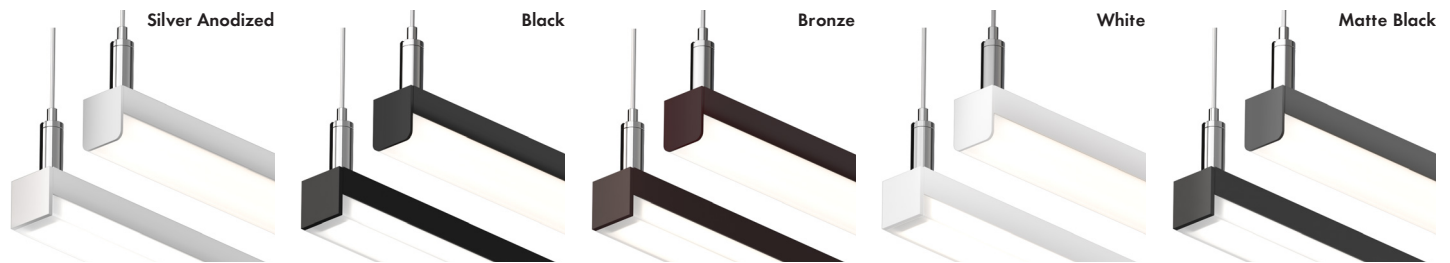


**Canpoy Options**



**Finish Options**

- Finish options are available in a wide variety, allowing for complete customization of style and aesthetic.
- Non Silver Anodized finishes may have extended lead times.
- Polished Gold finishes has a maximum fixture length of 48", and Chrome finishes has a maximum fixture length of 72".
- Custom RALs are available, please consult Inside Sales with specific request.



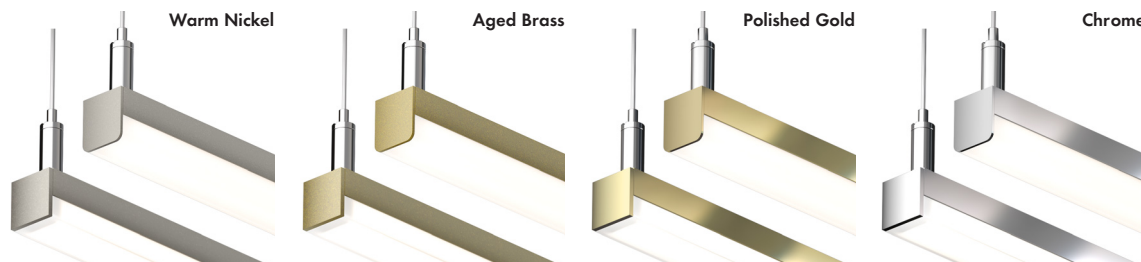
Silver Anodized is a soft silver with a clear finish.

Black is a true deep black with a glossy finish.

Bronze is a rich, dark brown with a satin finish.

White is a polar bright white and field paintable.

Matte Black is a dark, pitch-black with a soft flat finish.



Warm Nickel is a soft, silvery smoke with warm tones and a satin finish.

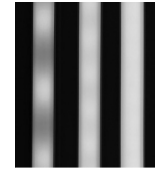
Aged Brass is a deep brown shade with slightly golden undertones.

Polished Gold is bright and radiant for a brilliant finish.

Chrome is a highly reflective silver polish.

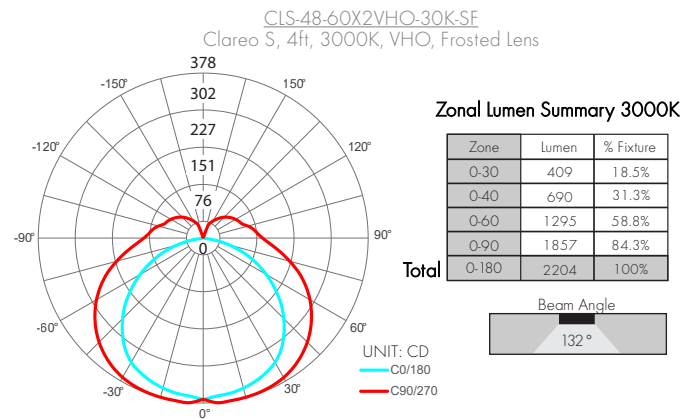
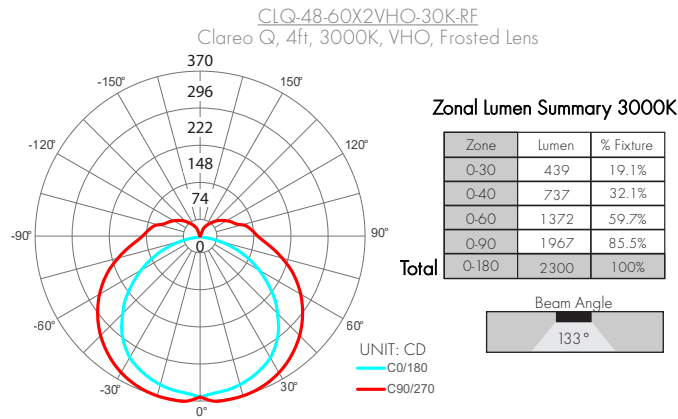
Light Transmission and Dotting

Output Options	Lens/Accessory	
	CLQ Frosted Lens	CLS Frosted Lens
60X2HO	ND	ND
60X2VHO	ND	ND
HE48LO	ND	ND
HE48SO	ND	ND
HE48MO	ND	ND
HE48HO	ND	ND
HE64VHO	ND	ND
HE64XHO	ND	ND
<b>Transmission Percentage</b>	100%	96%



**CD** - Clear Dotting  
**SD** - Slight Dotting  
**ND** - No Dotting

Photometry



**Power Consumption**

Tested at Full Power with PDC Series power supplies.

Standard Nominal Lengths offered provide minimal shadowing. For alternate lengths, please consult Inside Sales with specific request.

**High Color Quality (60X2)**

Nominal Length (in)	Actual Length	Watts		Nominal Length (in)	Actual Length	Watts		Nominal Length (in)	Actual Length	Watts		Nominal Length (in)	Actual Length	Watts	
		HO	VHO			HO	VHO			HO	VHO			HO	VHO
12	10 11/16	8.3	10.4	47	-	-	-	82	81	45.4	57.1	117	116 3/16	61.1	72.2
13	12 2/16	8.3	10.4	48	47 4/16	28.2	36.0	83	82 7/16	46.3	58.1	118	117 9/16	62.1	73.0
14	13 8/16	8.9	11.3	49	48 11/16	29.3	37.4	84	83 13/16	46.7	58.6	119	119	62.5	73.4
15	14 15/16	9.5	12.1	50	-	-	-	85	-	-	-	120	-	-	-
16	-	-	-	51	50 1/16	29.9	38.1	86	85 4/16	47.2	59.2	121	120 6/16	63.5	74.2
17	16 5/16	10.1	12.9	52	51 8/16	31.0	39.5	87	86 10/16	48.1	60.4	122	121 13/16	63.8	74.3
18	17 12/16	11.3	14.5	53	52 14/16	31.5	40.2	88	-	-	-	123	-	-	-
19	-	-	-	54	-	-	-	89	88 1/16	48.5	61.0	124	123 3/16	64.2	74.4
20	19 2/16	11.9	15.3	55	54 5/16	32.1	40.9	90	89 7/16	49.4	62.2	125	124 10/16	64.9	74.6
21	20 9/16	13.1	16.9	56	55 11/16	33.1	42.3	91	90 14/16	49.9	62.8	126	-	-	-
22	21 15/16	13.7	17.7	57	-	-	-	92	-	-	-	127	126	65.2	74.7
23	-	-	-	58	57 2/16	33.7	43.0	93	92 4/16	50.3	63.4	128	127 7/16	65.9	74.9
24	23 6/16	14.3	18.5	59	58 8/16	34.8	44.4	94	93 11/16	51.2	64.6	129	128 13/16	66.3	75.0
25	24 12/16	15.5	20.2	60	59 15/16	35.3	45.1	95	-	-	-	130	-	-	-
26	-	-	-	61	-	-	-	96	95 1/16	51.7	65.2	131	130 4/16	66.6	75.1
27	26 3/16	16.1	20.9	62	61 5/16	35.9	45.8	97	96 8/16	52.6	66.4	132	131 10/16	67.3	75.3
28	27 9/16	17.3	22.4	63	62 12/16	36.9	47.0	98	97 14/16	53.0	66.7	133	-	-	-
29	29	17.9	23.2	64	-	-	-	99	-	-	-	134	133 1/16	67.6	75.4
30	-	-	-	65	64 2/16	37.4	47.6	100	99 5/16	53.5	66.9	135	134 7/16	68.2	75.8
31	30 6/16	19.1	24.7	66	65 9/16	38.4	48.7	101	100 11/16	54.4	67.4	136	135 14/16	68.5	76.0
32	31 13/16	19.7	25.4	67	66 15/16	38.9	49.3	102	-	-	-	137	-	-	-
33	-	-	-	68	-	-	-	103	102 2/16	54.8	67.6	138	137 4/16	68.8	76.2
34	33 3/16	20.3	26.2	69	68 6/16	39.4	49.9	104	103 8/16	55.7	68.1	139	138 11/16	69.3	76.7
35	34 10/16	21.6	27.7	70	69 12/16	40.4	51.1	105	104 15/16	56.1	68.4	140	-	-	-
36	-	-	-	71	-	-	-	106	-	-	-	141	140 1/16	69.6	76.9
37	36	22.2	28.4	72	71 3/16	40.9	51.7	107	106 5/16	56.5	68.6	142	141 8/16	70.2	77.4
38	37 7/16	23.3	29.9	73	72 9/16	41.9	52.9	108	107 12/16	57.4	69.1	143	142 14/16	70.5	77.6
39	38 13/16	23.9	30.5	74	74	42.4	53.5	109	-	-	-	144	-	-	-
40	-	-	-	75	-	-	-	110	109 2/16	57.9	69.3	-	-	-	-
41	40 4/16	24.4	31.2	76	75 6/16	43.2	54.5	111	110 9/16	58.8	70.1	-	-	-	-
42	41 10/16	25.5	32.6	77	76 13/16	43.7	55.0	112	111 15/16	59.3	70.5	-	-	-	-
43	-	-	-	78	-	-	-	113	-	-	-	-	-	-	-
44	43 1/16	26.0	33.3	79	78 3/16	44.1	55.5	114	113 6/16	59.7	70.9	-	-	-	-
45	44 7/16	27.1	34.7	80	79 10/16	45.0	56.6	115	114 12/16	60.7	71.8	-	-	-	-
46	45 14/16	27.7	35.3	81	-	-	-	116	-	-	-	-	-	-	-

**Power Consumption**

Tested at Full Power with PDC Series power supplies.

Standard Nominal Lengths offered provide minimal shadowing. For alternate lengths, please consult Inside Sales with specific request.

**High Efficacy (HE48)**

Nominal Length (in)	Actual Length	Watts				Nominal Length (in)	Actual Length	Watts				Nominal Length (in)	Actual Length	Watts				Nominal Length (in)	Actual Length	Watts			
		LO	SO	MO	HO			LO	SO	MO	HO			LO	SO	MO	HO			LO	SO	MO	HO
12	10 11/16	1.7	2.5	3.5	5.7	47	46 2/16	6.9	10.7	13.3	24.7	82	81 9/16	12.5	19.9	23.9	42.2	117	-	-	-	-	
13	12 11/16	1.7	2.5	3.5	5.7	48	-	-	-	-	-	83	-	-	-	-	-	118	117	17.5	27.7	34.3	58.7
14	-	-	-	-	-	49	48 2/16	7.1	11.2	13.9	25.4	84	83 9/16	12.8	20.3	24.5	43.1	119	119	17.8	28.1	34.9	59.6
15	14 10/16	2.0	3.0	4.0	7.2	50	-	-	-	-	-	85	-	-	-	-	-	120	-	-	-	-	
16	-	-	-	-	-	51	50 1/16	7.4	11.7	14.5	26.3	86	85 8/16	13.1	20.8	25.1	44.1	121	120 15/16	18.1	28.6	35.5	60.5
17	16 10/16	2.4	3.5	4.6	8.7	52	-	-	-	-	-	87	-	-	-	-	-	122	-	-	-	-	
18	-	-	-	-	-	53	52 1/16	7.7	12.3	15.1	27.4	88	87 8/16	13.4	21.3	25.7	45.0	123	122 15/16	18.3	29.0	36.0	62.1
19	18 9/16	2.7	3.9	5.2	10.2	54	-	-	-	-	-	89	-	-	-	-	-	124	-	-	-	-	
20	-	-	-	-	-	55	54	8.0	12.9	15.7	28.5	90	89 7/16	13.7	21.7	26.3	46.0	125	124 14/16	18.4	29.5	36.6	63.8
21	20 9/16	3.0	4.4	5.8	11.7	56	56	8.4	13.5	16.4	29.5	91	-	-	-	-	-	126	-	-	-	-	
22	-	-	-	-	-	57	-	-	-	-	-	92	91 7/16	14.0	22.1	26.9	47.0	127	126 14/16	18.6	29.9	37.2	65.4
23	22 8/16	3.4	4.9	6.4	13.2	58	57 15/16	8.7	14.0	17.0	30.6	93	-	-	-	-	-	128	-	-	-	-	
24	-	-	-	-	-	59	-	-	-	-	-	94	93 6/16	14.3	22.6	27.5	47.9	129	128 13/16	18.8	30.4	37.7	67.0
25	24 8/16	3.7	5.4	7.0	14.7	60	59 15/16	9.0	14.6	17.6	31.6	95	-	-	-	-	-	130	-	-	-	-	
26	-	-	-	-	-	61	-	-	-	-	-	96	95 6/16	14.4	22.8	27.8	48.4	131	130 13/16	18.9	30.8	38.3	68.6
27	26 7/16	4.1	5.9	7.5	15.8	62	61 14/16	9.4	15.2	18.2	32.6	97	-	-	-	-	-	132	-	-	-	-	
28	-	-	-	-	-	63	-	-	-	-	-	98	97 5/16	14.7	23.3	28.5	49.4	133	132 12/16	19.1	31.2	38.9	70.2
29	28 7/16	4.4	6.4	8.1	16.8	64	63 14/16	9.7	15.6	18.7	33.7	99	-	-	-	-	-	134	-	-	-	-	
30	-	-	-	-	-	65	-	-	-	-	-	100	99 5/16	15.0	23.7	29.0	50.4	135	134 12/16	19.3	31.8	39.4	70.7
31	30 6/16	4.8	6.9	8.7	17.9	66	65 13/16	10.0	16.1	19.2	34.7	101	-	-	-	-	-	136	-	-	-	-	
32	-	-	-	-	-	67	-	-	-	-	-	102	101 4/16	15.3	24.1	29.6	51.3	137	136 11/16	19.5	32.3	40.0	71.2
33	32 6/16	5.0	7.2	9.0	18.5	68	67 13/16	10.4	16.5	19.8	35.7	103	-	-	-	-	-	138	-	-	-	-	
34	-	-	-	-	-	69	-	-	-	-	-	104	103 4/16	15.6	24.6	30.2	52.3	139	138 11/16	19.8	32.8	40.6	71.8
35	34 5/16	5.4	7.7	9.6	19.5	70	69 12/16	10.7	17.0	20.3	36.7	105	-	-	-	-	-	140	-	-	-	-	
36	-	-	-	-	-	71	-	-	-	-	-	106	105 3/16	15.8	25.0	30.7	53.2	141	140 10/16	20.0	33.3	41.1	72.3
37	36 5/16	5.7	8.2	10.2	20.6	72	71 12/16	11.0	17.4	20.8	37.7	107	-	-	-	-	-	142	-	-	-	-	
38	-	-	-	-	-	73	-	-	-	-	-	108	107 3/16	16.1	25.5	31.3	54.2	143	142 10/16	20.2	33.9	41.7	72.8
39	38 4/16	6.0	8.7	10.8	21.5	74	73 11/16	11.3	17.9	21.4	38.7	109	-	-	-	-	-	144	-	-	-	-	
40	-	-	-	-	-	75	-	-	-	-	-	110	109 2/16	16.4	25.9	31.9	55.2						
41	40 4/16	6.2	9.2	11.4	22.3	76	75 11/16	11.6	18.4	22.0	39.6	111	-	-	-	-	-						
42	-	-	-	-	-	77	-	-	-	-	-	112	111 2/16	16.7	26.4	32.5	56.1						
43	42 3/16	6.4	9.7	12.0	23.1	78	77 10/16	11.9	18.9	22.7	40.5	113	-	-	-	-	-						
44	-	-	-	-	-	79	-	-	-	-	-	114	113 1/16	17.0	26.8	33.1	57.0						
45	44 3/16	6.7	10.2	12.6	23.9	80	79 10/16	12.2	19.4	23.3	41.4	115	-	-	-	-	-						
46	-	-	-	-	-	81	-	-	-	-	-	116	115 1/16	17.3	27.3	33.7	57.9						

**Power Consumption**

Tested at Full Power with PDC Series power supplies.

Standard Nominal Lengths offered provide minimal shadowing. For alternate lengths, please consult Inside Sales with specific request.

**High Efficacy (HE64)**

Nominal Length (in)	Actual Length	Watts		Nominal Length (in)	Actual Length	Watts		Nominal Length (in)	Actual Length	Watts		Nominal Length (in)	Actual Length	Watts	
		VHO	XHO			VHO	XHO			VHO	XHO			VHO	XHO
<b>12</b>	11 8/16	7.6	9.7	<b>47</b>	46 5/16	28.2	35.9	<b>82</b>	81 2/16	50.4	62.6	<b>117</b>	–	–	–
<b>13</b>	13	7.6	9.7	<b>48</b>	47 13/16	29.5	37.6	<b>83</b>	82 10/16	51.7	63.4	<b>118</b>	117 8/16	72.8	80.7
<b>14</b>	–	–	–	<b>49</b>	–	–	–	<b>84</b>	–	–	–	<b>119</b>	119	73.3	81.0
<b>15</b>	14 8/16	8.9	11.3	<b>50</b>	49 5/16	30.1	38.4	<b>85</b>	84 3/16	52.3	63.8	<b>120</b>	–	–	–
<b>16</b>	–	–	–	<b>51</b>	50 14/16	31.4	40.2	<b>86</b>	85 11/16	53.6	64.7	<b>121</b>	120 8/16	74.4	81.7
<b>17</b>	16	9.5	12.1	<b>52</b>	–	–	–	<b>87</b>	–	–	–	<b>122</b>	–	–	–
<b>18</b>	17 9/16	10.7	13.6	<b>53</b>	52 6/16	32.0	41.1	<b>88</b>	87 3/16	54.2	65.3	<b>123</b>	122	74.8	82.0
<b>19</b>	–	–	–	<b>54</b>	53 14/16	33.3	42.9	<b>89</b>	88 11/16	55.5	66.3	<b>124</b>	123 8/16	75.6	82.5
<b>20</b>	19 1/16	11.4	14.4	<b>55</b>	–	–	–	<b>90</b>	–	–	–	<b>125</b>	–	–	–
<b>21</b>	20 9/16	12.6	16.0	<b>56</b>	55 6/16	34.0	43.8	<b>91</b>	90 3/16	56.2	66.8	<b>126</b>	125 1/16	76.0	82.8
<b>22</b>	–	–	–	<b>57</b>	56 14/16	35.2	45.5	<b>92</b>	91 12/16	57.5	67.9	<b>127</b>	126 9/16	76.8	83.4
<b>23</b>	22 1/16	13.2	16.8	<b>58</b>	–	–	–	<b>93</b>	–	–	–	<b>128</b>	–	–	–
<b>24</b>	23 9/16	14.5	18.3	<b>59</b>	58 7/16	36.5	47.3	<b>94</b>	93 4/16	58.2	68.4	<b>129</b>	128 1/16	77.2	83.6
<b>25</b>	–	–	–	<b>60</b>	59 15/16	37.2	48.2	<b>95</b>	94 12/16	59.5	69.5	<b>130</b>	129 9/16	78.0	84.2
<b>26</b>	25 2/16	15.1	19.1	<b>61</b>	–	–	–	<b>96</b>	–	–	–	<b>131</b>	–	–	–
<b>27</b>	26 10/16	16.4	20.7	<b>62</b>	61 7/16	38.4	50.0	<b>97</b>	96 4/16	60.1	70.0	<b>132</b>	131 2/16	78.4	84.5
<b>28</b>	–	–	–	<b>63</b>	62 15/16	39.1	50.8	<b>98</b>	97 13/16	61.4	71.1	<b>133</b>	132 10/16	79.2	85.0
<b>29</b>	28 2/16	17.0	21.4	<b>64</b>	–	–	–	<b>99</b>	–	–	–	<b>134</b>	–	–	–
<b>30</b>	29 10/16	18.2	23.0	<b>65</b>	64 8/16	40.4	52.5	<b>100</b>	99 5/16	62.0	71.7	<b>135</b>	134 2/16	79.6	85.4
<b>31</b>	–	–	–	<b>66</b>	66	41.0	53.4	<b>101</b>	100 13/16	63.2	72.9	<b>136</b>	135 10/16	80.3	86.2
<b>32</b>	31 3/16	18.9	23.8	<b>67</b>	–	–	–	<b>102</b>	–	–	–	<b>137</b>	–	–	–
<b>33</b>	32 11/16	20.1	25.3	<b>68</b>	67 8/16	42.3	55.1	<b>103</b>	102 5/16	63.8	73.5	<b>138</b>	137 2/16	80.6	86.6
<b>34</b>	–	–	–	<b>69</b>	–	–	–	<b>104</b>	103 13/16	65.0	74.7	<b>139</b>	138 11/16	81.3	87.5
<b>35</b>	34 3/16	20.7	26.1	<b>70</b>	69	42.9	55.9	<b>105</b>	–	–	–	<b>140</b>	–	–	–
<b>36</b>	35 11/16	22.0	27.6	<b>71</b>	70 8/16	44.2	57.6	<b>106</b>	105 6/16	65.6	75.3	<b>141</b>	140 3/16	81.7	87.9
<b>37</b>	–	–	–	<b>72</b>	–	–	–	<b>107</b>	106 14/16	66.8	76.5	<b>142</b>	141 11/16	82.4	88.7
<b>38</b>	37 3/16	22.6	28.4	<b>73</b>	72 1/16	44.9	58.5	<b>108</b>	–	–	–	<b>143</b>	–	–	–
<b>39</b>	38 12/16	23.9	30.1	<b>74</b>	73 9/16	46.1	59.7	<b>109</b>	108 6/16	67.4	77.1	<b>144</b>	143 3/16	82.7	89.1
<b>40</b>	–	–	–	<b>75</b>	–	–	–	<b>110</b>	109 14/16	68.5	78.0				
<b>41</b>	40 4/16	24.5	30.9	<b>76</b>	75 1/16	46.7	60.1	<b>111</b>	–	–	–				
<b>42</b>	41 12/16	25.7	32.6	<b>77</b>	76 9/16	48.0	60.9	<b>112</b>	111 7/16	69.6	78.7				
<b>43</b>	–	–	–	<b>78</b>	–	–	–	<b>113</b>	112 15/16	70.1	79.0				
<b>44</b>	43 4/16	26.4	33.4	<b>79</b>	78 2/16	48.6	61.3	<b>114</b>	–	–	–				
<b>45</b>	44 13/16	27.6	35.1	<b>80</b>	79 10/16	49.8	62.2	<b>115</b>	114 7/16	71.2	79.7				
<b>46</b>	–	–	–	<b>81</b>	–	–	–	<b>116</b>	115 15/16	71.7	80.0				

### Voltage Drop Calculator

The below chart assumes nominal voltage of 24 Volts and a Voltage Drop Allowance of 3% through the wire

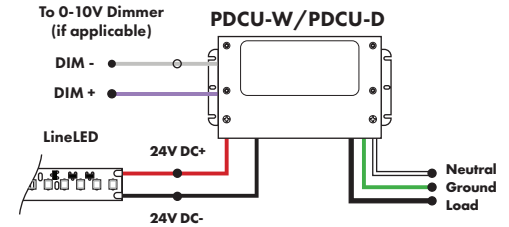
Wattage [W]	Maximum Wire Length From Power Supply to Start of Run [ft]						
	12 AWG	14 AWG	16 AWG	18 AWG	20 AWG	22 AWG	24 AWG
<b>5</b>	1088.2	684.4	430.3	270.6	170.2	107.1	67.3
<b>10</b>	544.1	342.2	215.1	135.3	85.1	53.5	33.7
<b>15</b>	362.7	228.1	143.4	90.2	56.7	35.7	22.4
<b>20</b>	272.0	171.1	107.6	67.7	42.6	26.8	16.8
<b>25</b>	217.6	136.9	86.1	54.1	34.0	21.4	13.5
<b>30</b>	181.4	114.1	71.7	45.1	28.4	17.8	11.2
<b>35</b>	155.5	97.8	61.5	38.7	24.3	15.3	9.6
<b>40</b>	136.0	85.5	53.8	33.8	21.3	13.4	8.4
<b>45</b>	120.9	76.0	47.8	30.1	18.9	11.9	7.5
<b>50</b>	108.8	68.4	43.0	27.1	17.0	10.7	6.7
<b>55</b>	98.9	62.2	39.1	24.6	15.5	9.7	6.1
<b>60</b>	90.7	57.0	35.9	22.6	14.2	8.9	5.6
<b>65</b>	83.7	52.6	33.1	20.8	13.1	8.2	5.2
<b>70</b>	77.7	48.9	30.7	19.3	12.2	7.6	4.8
<b>75</b>	72.5	45.6	28.7	18.0	11.3	7.1	4.5
<b>80</b>	68.0	42.8	26.9	16.9	10.6	6.7	4.2
<b>85</b>	64.0	40.3	25.3	15.9	10.0	6.3	4.0
<b>90</b>	60.5	38.0	23.9	15.0	9.5	5.9	3.7
<b>96</b>	56.7	35.6	22.4	14.1	8.9	5.6	3.5

### Power Supplies

See Power Supply instructions and spec sheet for wiring information. For a complete list of compatible dimmers, see Compatible Dimming Chart on the Resources page.

#### Universal Power Supply 1% 120VAC - 277VAC

MODEL	POWER	OUTPUT
PDCU-D - IP20 Dry Series	30 - 30 W 60 - 60 W 96 - 96 W 3X96 - 3X96 W	24 - 24 VDC
PDCU-W - IP66 Wet Series	96 - 96 W 3X96 - 3X96 W	

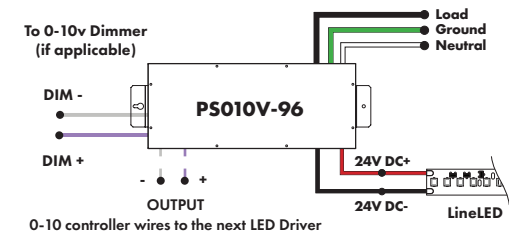


0-10V dims down to 1%, MLV/ELV/TRIAC dims down to 1%.  
For a complete list of compatible dimmers, see [Compatible Dimming Chart](#) on the Resources page.

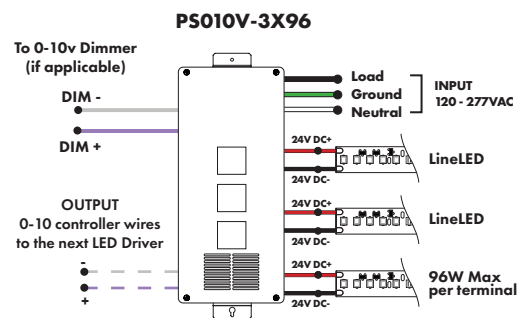
MODELS	PDCU-W 96W	PDCU-W 3X96W	PDCU-D 30W	PDCU-D 60W	PDCU-D 96W	PDCU-D 3X96W
<b>Length</b>	8.66"	11.85"	6.10"	7.93"	8.25"	9.57"
<b>Width</b>	3.73"	4.32"	3.35"	3.35"	4.10"	5.94"
<b>Depth</b>	1.61"	1.81"	1.33"	1.32"	1.56"	1.13"

#### 0-10V Dimming Power Supplies 0.1% 120VAC - 277VAC

MODEL	POWER	OUTPUT	DIMMING
PS010V - 0-10V Power Supply dims down to 0.1%	96 - 96 Watt 3X96 - 3 X 96 Watt	24 - 24 VDC	LIN - Linear LOG - Logarithmic



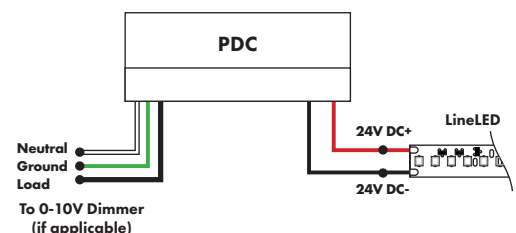
MODELS	96W	3X96
<b>Length</b>	14.40"	15.75"
<b>Width</b>	5.20"	6.62"
<b>Depth</b>	2.60"	4.95"



#### Triac, MLV, & ELV Compatible Dimmers

MODEL	POWER	OUTPUT
PDC - (IP20) Power Supply	96 - 96 Watts	24 - 24 VDC

MODELS	96W
<b>Length</b>	8.25"
<b>Width</b>	4.10"
<b>Depth</b>	1.56"





**Power Supplies**

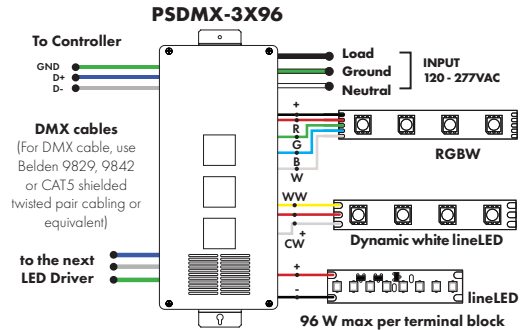
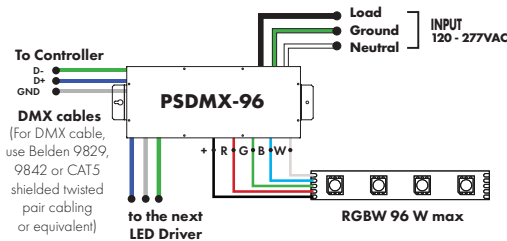
See Power Supply instructions and spec sheet for wiring information. For a complete list of compatible dimmers, see Compatible Dimming Chart on the Resources page.

**DMX Dimming Power Supplies 120VAC - 277VAC**

MODEL	POWER	OUTPUT
PSDMX - DMX Power Supply dims down to 0%	96 - 96 Watt 3X96 - 3 X 96 Watt	24 - 24 VDC

Features eldoLED's LINEARdrive configurable dimmable drivers

MODELS	96W	3X96
<b>Length</b>	14.40"	15.75"
<b>Width</b>	5.20"	6.62"
<b>Depth</b>	2.60"	4.95"

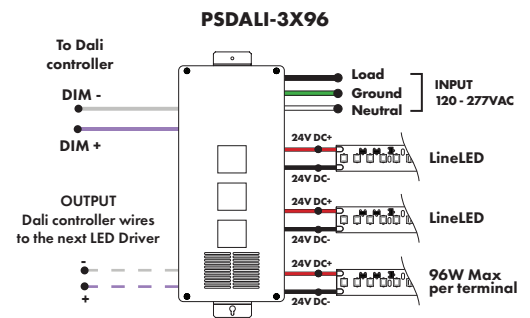
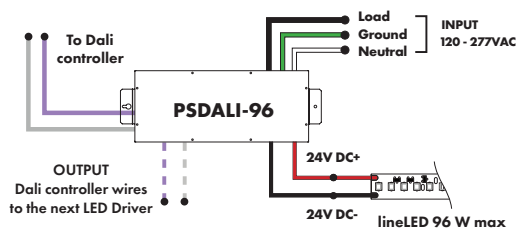


**DALI 0% Dimming Power Supplies 120VAC - 277VAC**

MODEL	POWER	OUTPUT
PSDALI - DALI Power Supply dims down to 0%	96 - 96 Watt 3X96 - 3 X 96 Watt	24 - 24 VDC

Features eldoLED's LINEARdrive configurable dimmable drivers

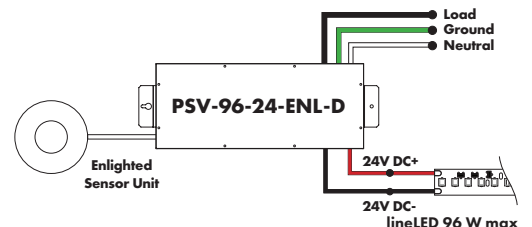
Model	96W	3X96
<b>Length</b>	14.40"	15.75"
<b>Width</b>	5.20"	6.62"
<b>Depth</b>	2.60"	4.95"



**Enlighted Enabled Dimming Power Supplies 120VAC - 277VAC**

MODEL	POWER	OUTPUT	DIMMING	LOCATION
PSV - PSV Series	96 - 96 Watt	24 - 24 VDC	ENL - Enlighted Dimming dims down to 0%	D - Damp

Model	96W
<b>Length</b>	14.40"
<b>Width</b>	5.20"
<b>Depth</b>	2.60"



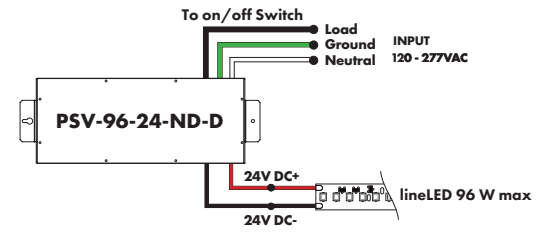
### Power Supplies

See Power Supply instructions and spec sheet for wiring information. For a complete list of compatible dimmers, see Compatible Dimming Chart on the Resources page.

#### Non-Dimming Power Supply 120VAC - 277VAC

MODEL	POWER	OUTPUT	DIMMING	LOCATION
PSV - PSV Series	96 - 96 Watt	24 - 24 VDC	U2ND - Non Dimming	D - Damp

MODELS	96W
Length	14.40"
Width	5.20"
Depth	2.60"

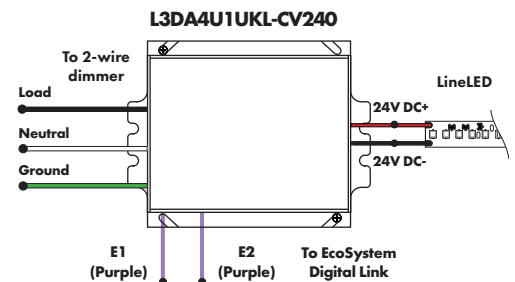
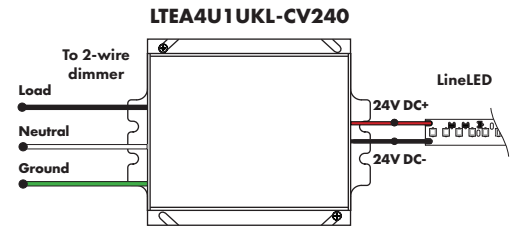


Luminii is a Lutron OEM Advantage Partner

#### Lutron Power Supplies 1%

MODEL	MODEL
<b>LTEA4U1UKL-CV240</b>	<b>L3DA4U1UKL-CV240</b>
Lutron - HiLume™ 1% 2-wire LED Driver 40W max	HiLume™ 1% EcoSystem Voltage LED driver 40W max
(120V forward phase only)	

MODELS	LTEA4U1UKL-CV240	L3DA4U1UKL-CV240
Length	4.89"	4.98"
Width	4.00"	4.00"
Depth	2.62"	2.62"

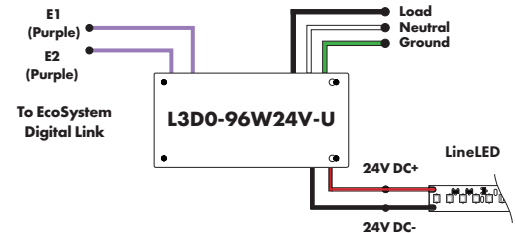


Luminii is a Lutron OEM Advantage Partner

#### Lutron Power Supplies 0.1%

MODEL
<b>L3D0-96W24V-U</b>
HiLume™ 0.1% EcoSystem Voltage LED Driver with Soft-On, Fade-to-Black™ 96W max

MODELS	L3D0
Length	10.50"
Width	5.50"
Depth	2.00"



#### In-Ground Power Supplies

MODEL	POWER	OUTPUT	INPUT
IG - In ground CVE Series	CVE - ELV Dimming DALI - eidoLED Dali dimming Both dims down to 0%	96X2 - 2 X 96 Watt	24 - 24 VDC
			Blank - 120 V 277 - 240/277 V

MODELS	Dual Circuit
Length	8.40"
Width	8.30"
Depth	8.10"

