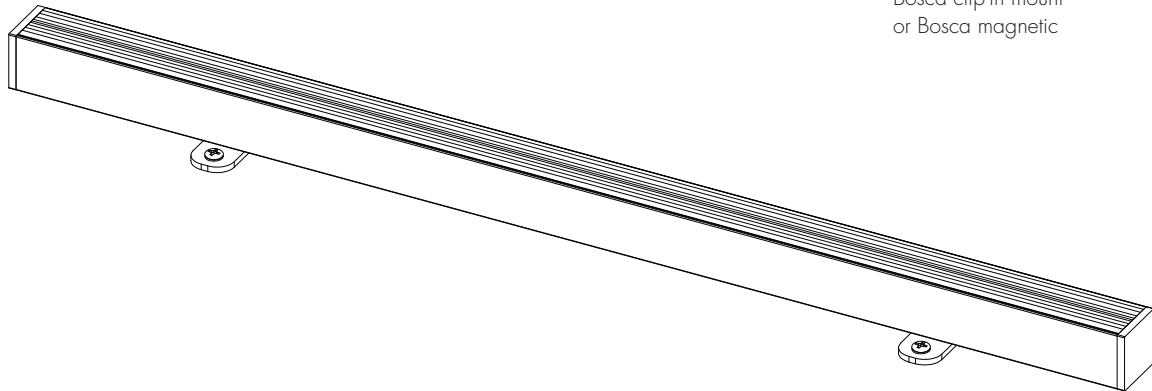
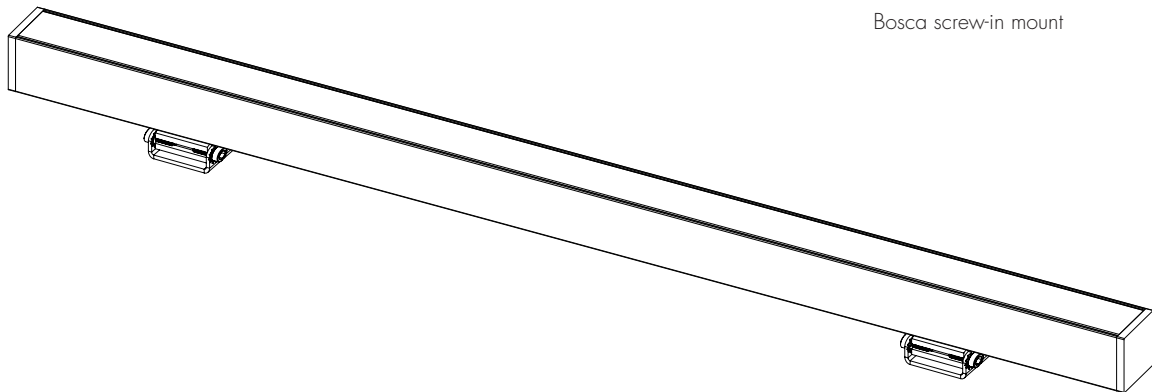


Bosca clip-in mount
or Bosca magnetic



Bosca screw-in mount



Bosca adjustable hinge mounting

Instruction page index:

Clip-in installation	2
Screw-in installation	3
Magnetic installation	4
Adjustable hinge mounting installation	5
Power feed layout guide	6

Bosca - Installation Instructions

Models BOS-XX-C-XX



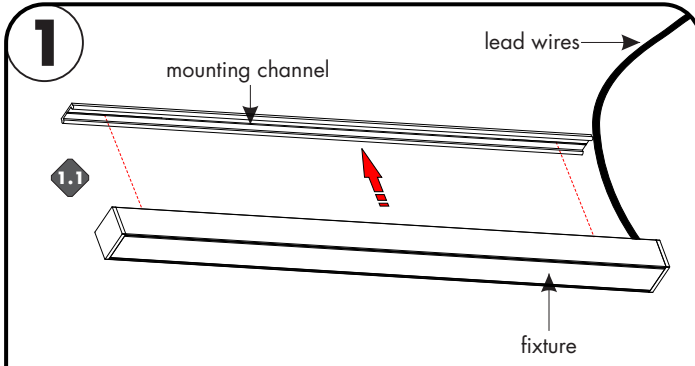
7777 Merrimac Ave
Niles, IL 60714
T 224.333.6033
F 224.757.7557
info@luminii.com
www.luminii.com



Please read all instructions prior to installation and keep for future reference!

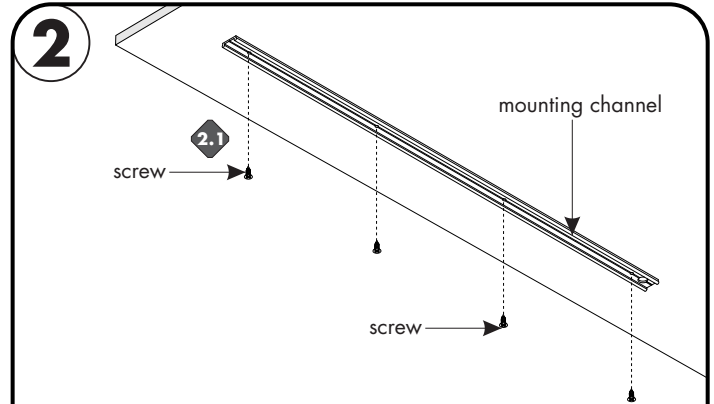
1. PRODUCT TO BE INSTALLED BY A QUALIFIED ELECTRICIAN.
2. USE ONLY WITH CLASS 2 POWER UNIT
3. 24 VOLTS DC
4. SUITABLE FOR DAMP LOCATIONS
5. SURFACE MOUNT ONLY
6. SUITABLE FOR INSTALLATION WITHIN THE CLOSET STORAGE SPACE
7. INHERENTLY PROTECTED

Clip-in installation



Note: Refer to the power supply installation instruction for additional information.
Note: More than one person is recommended for this installation.

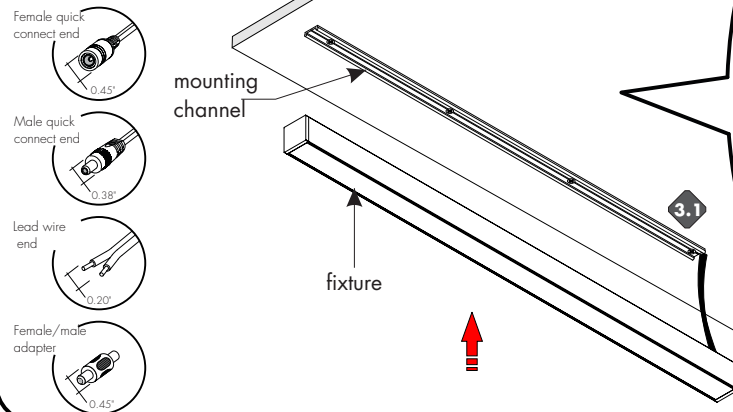
1.1 Carefully remove the mounting channel from the back of the fixture. Mounting channel is 1/2" shorter than the fixture for wire management.



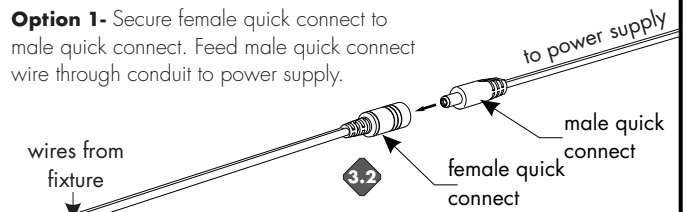
2.1 Determine the location of the fixture. Then secure the mounting channel to the surface with the provided mounting screws. When installing the mounting channel take into consideration the 1/2" shorter per wire lead/connector.

2.2 Install mounting screws every 6 inches to the center of the mounting channel.

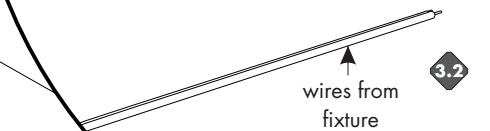
3.1 Follow connector dimensions below and drill hole through surface. Insert wire lead/connector through surface & snap fixture into the mounting channel to secure in place.



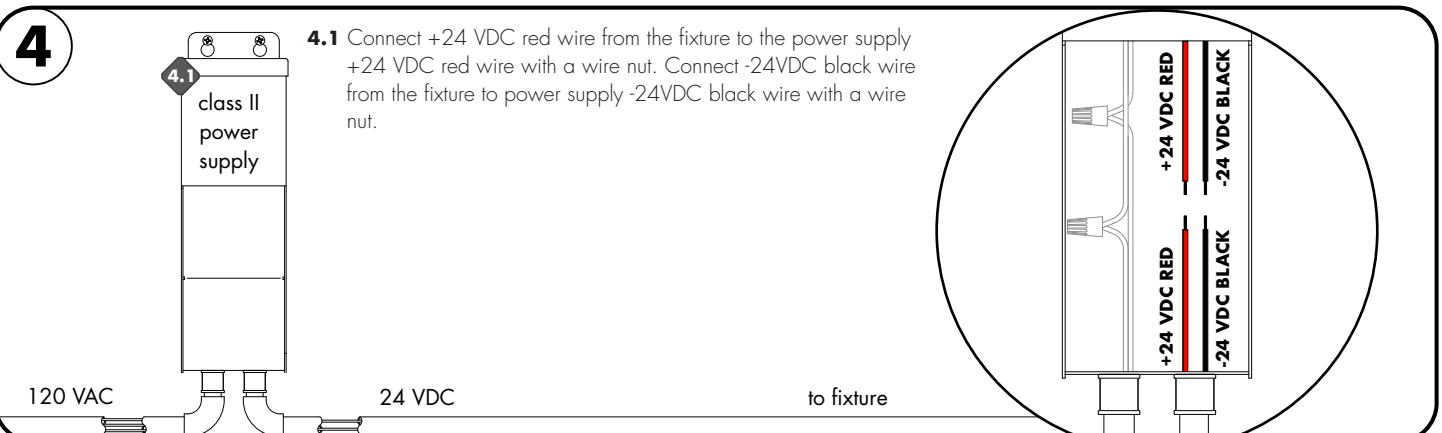
3.2 Follow one of the two options to connect the fixture to the power supply.



Option 2- Feed wire whip to the power supply.



4.1 Connect +24 VDC red wire from the fixture to the power supply +24 VDC red wire with a wire nut. Connect -24VDC black wire from the fixture to power supply -24VDC black wire with a wire nut.



Bosca - Installation Instructions

Models BOS-XX-S-XX



7777 Merrimac Ave
Niles, IL 60714
T 224.333.6033
F 224.757.7557
info@luminii.com
www.luminii.com



Please read all instructions prior to installation and keep for future reference!

1. PRODUCT TO BE INSTALLED BY A QUALIFIED ELECTRICIAN.
2. USE ONLY WITH CLASS 2 POWER UNIT
3. 24 VOLTS DC
4. SUITABLE FOR DAMP LOCATIONS
5. SURFACE MOUNT ONLY
6. SUITABLE FOR INSTALLATION WITHIN THE CLOSET STORAGE SPACE
7. INHERENTLY PROTECTED

Screw-in installation

1

set screw

mounting bracket

fixture

mounting bracket

1.1

1.1

completely installed

1.1 Install brackets 4" from each end and 30" in between the fixtures. Line up each mounting bracket to the back on the fixture & insert the edge of the clip into the fixture. Then rotate and push clip in until you feel a click. Followed by tightening the set screw using the Allen wrench (provided). Repeat for the remaining brackets.

2

2.1

fixture

screw

2.1

fixture

screw

Note: Prior to installation all 24VDC wires must be present near fixture. Refer to the power supply installation instruction for additional information.
Note: More than one person is recommended for this installation.

2.1 Determine the location of the fixture. Then secure the fixture to the surface using the provided mounting screws.

3

3.1 Follow one of the two options to connect the fixture to the power supply.

Option 1- Secure female quick connect to male quick connect. Feed male quick connect wire through conduit to power supply.

wires from fixture

to power supply

male quick connect

female quick connect

OR

Option 2- Feed wire whip to the power supply.

wires from fixture

4

4.1 Connect +24 VDC red wire from the fixture to the power supply +24 VDC red wire with a wire nut. Connect -24VDC black wire from the fixture to power supply -24VDC black wire with a wire nut.

class II power supply

4.1

120 VAC

24 VDC

to fixture

+24 VDC RED

-24 VDC BLACK

+24 VDC RED

-24 VDC BLACK

Bosca - Installation Instructions

Models BOS-XX-M-XX



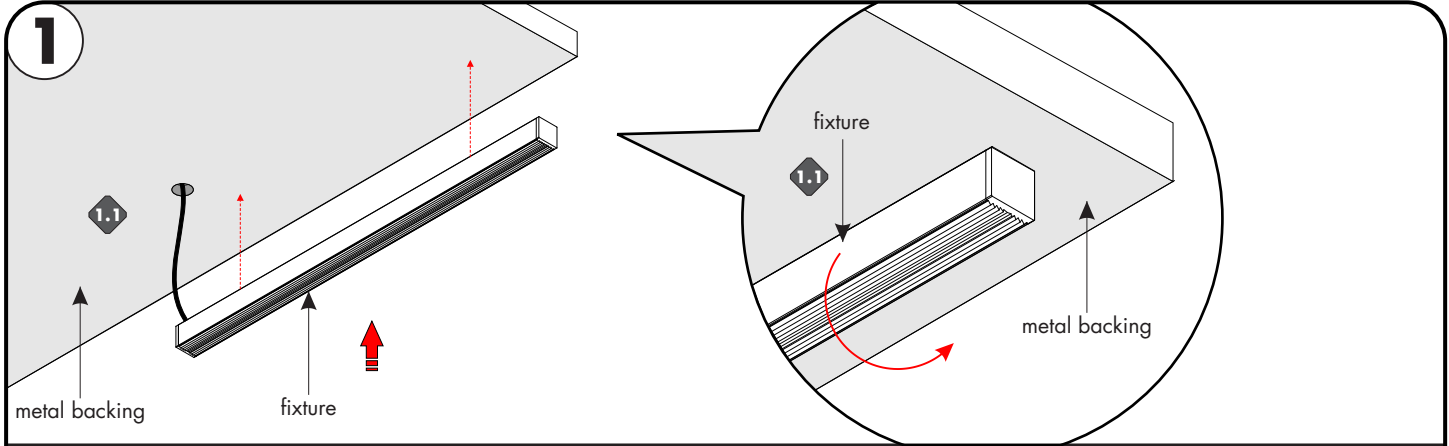
7777 Merrimac Ave
Niles, IL 60714
T 224.333.6033
F 224.757.7557
info@luminii.com
www.luminii.com



Please read all instructions prior to installation and keep for future reference!

1. PRODUCT TO BE INSTALLED BY A QUALIFIED ELECTRICIAN.
2. USE ONLY WITH CLASS 2 POWER UNIT
3. 24 VOLTS DC
4. SUITABLE FOR DAMP LOCATIONS
5. SURFACE MOUNT ONLY
6. SUITABLE FOR INSTALLATION WITHIN THE CLOSET STORAGE SPACE
7. INHERENTLY PROTECTED

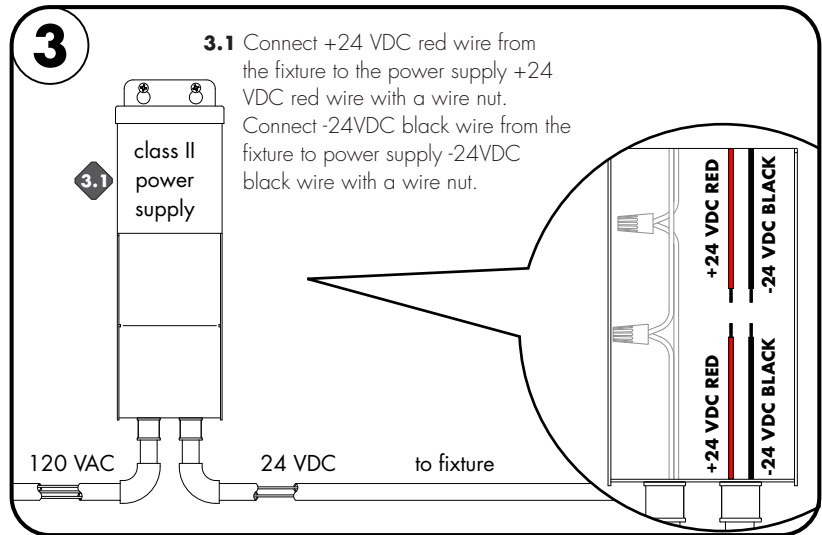
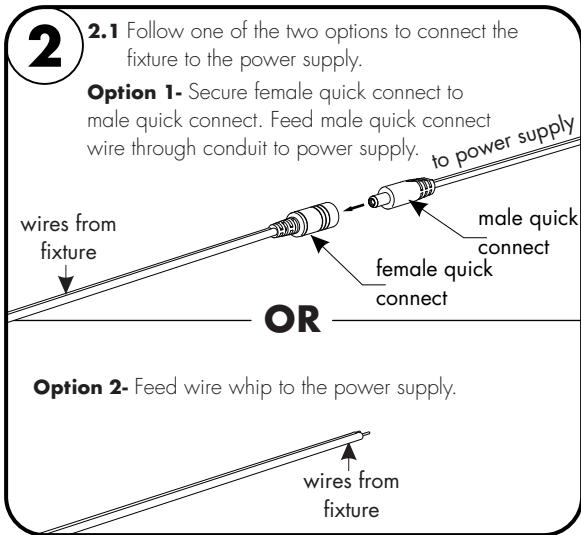
Magnetic installation



Note: Prior to installation all 24VDC wires must be present near fixture. Refer to the power supply installation instruction for additional information.

Note: More than one person is recommended for this installation.

- 1.1** Determine the location of the fixture. Must be made of steel or a ferrous metal. Clean the surface area thoroughly from any debris. Snap the fixture onto the metal surface. If necessary fixture can easily be removed by rotating off the surface and repositioning correctly.



Bosca Wet - Installation Instructions

Models BOSW-XX-AH-XX



7777 Merrimac Ave
Niles, IL 60714
T 224.333.6033
F 224.757.7557
info@luminii.com
www.luminii.com



Please read all instructions prior to installation and keep for future reference!

1. PRODUCT TO BE INSTALLED BY A QUALIFIED ELECTRICIAN.
2. USE ONLY WITH CLASS 2 POWER UNIT
3. 24 VOLTS DC
4. SURFACE MOUNT ONLY
5. SUITABLE FOR WET LOCATIONS, MUST USE APPROPRIATE WEATHERPROOF RATED WIRE CONNECTORS.
6. SUITABLE FOR INSTALLATION WITHIN THE CLOSET STORAGE SPACE
7. INHERENTLY PROTECTED

Adjustable hinge installation

1

1.1 Slightly loosen both screws on the sides of the hinge bracket. Rotate the fixture to expose mounting hole.

2

Note: Prior to installation all 24VDC wires must be present near fixture. Refer to the power supply installation instruction for additional information.

Note: More than one person is recommended for this installation.

- 2.1** Determine the location of the fixture. Then secure the fixture to the surface using the provided mounting screws.
- 2.2** Rotate the fixture to the desired angle then tighten the side screws to secure.

2

2.1 Follow one of the two options to connect the fixture to the power supply.

Option 1- Secure female quick connect to male quick connect. Feed male quick connect wire through conduit to power supply.

OR

Option 2- Feed wire whip to the power supply.

4

4.1 Connect +24 VDC red wire from the fixture to the power supply +24 VDC red wire with a wire nut. Connect -24VDC black wire from the fixture to power supply -24VDC black wire with a wire nut.

Bosca - Installation Instructions

Models BOS-XX-M-XX



7777 Merrimac Ave
Niles, IL 60714
T 224.333.6033
F 224.757.7557
info@luminii.com
www.luminii.com

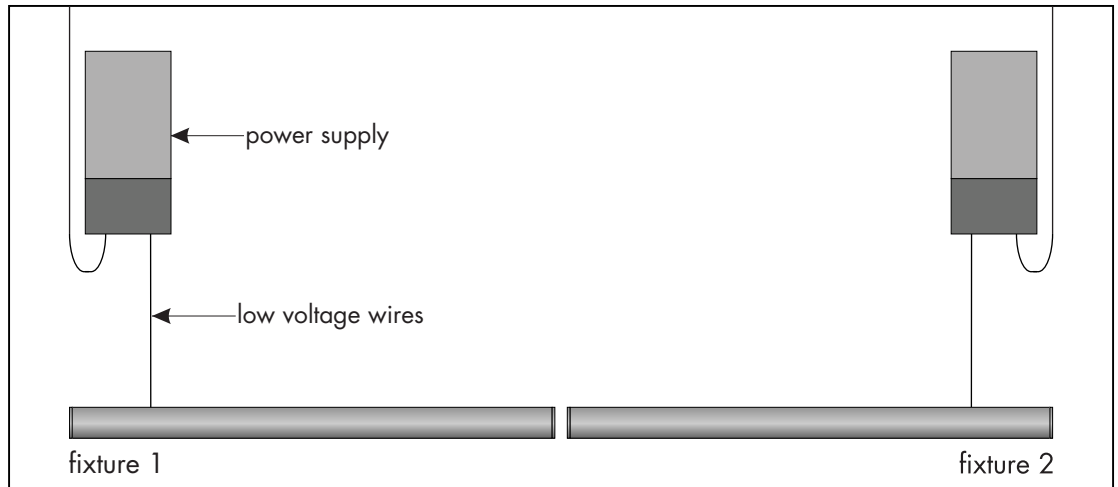


Please read all instructions prior to installation and keep for future reference!

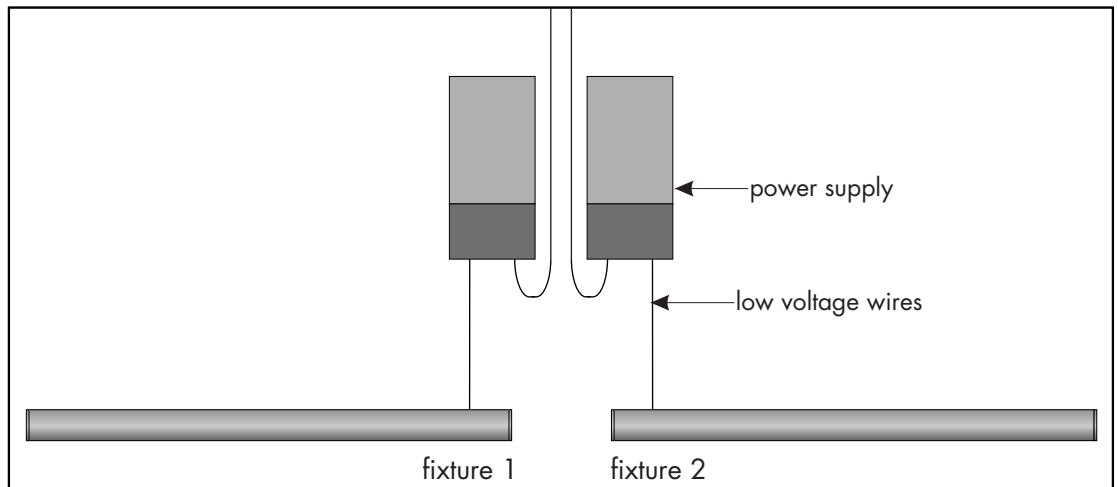
1. PRODUCT TO BE INSTALLED BY A QUALIFIED ELECTRICIAN.
2. USE ONLY WITH CLASS 2 POWER UNIT
3. 24 VOLTS DC
4. SUITABLE FOR DAMP LOCATIONS
5. SURFACE MOUNT ONLY
6. SUITABLE FOR INSTALLATION WITHIN THE CLOSET STORAGE SPACE
7. INHERENTLY PROTECTED

multiple powerfeed layouts

power supplies at the end of the run



power supplies in the middle of the run



consecutive layout, NOT RECOMMENDED

