

# Installation Instructions for Basics

Models BA42

Please read all instructions prior to installation and keep for future reference!

1. Product should be installed by a qualified electrician.
2. Prior to installation ensure power is off at fuse box to prevent electrical shock.
3. Use only with Class 2 power unit. Utiliser seulement avec Classe 2 unite d'alimentation électrique.
4. Suitable for Damp Locations. Convient Aux Emplacements Humides.
5. For under-cabinet or shelf mount.
6. Conforms to UL STD 2108. Certified to CSA STD C22.2 No.250.0.



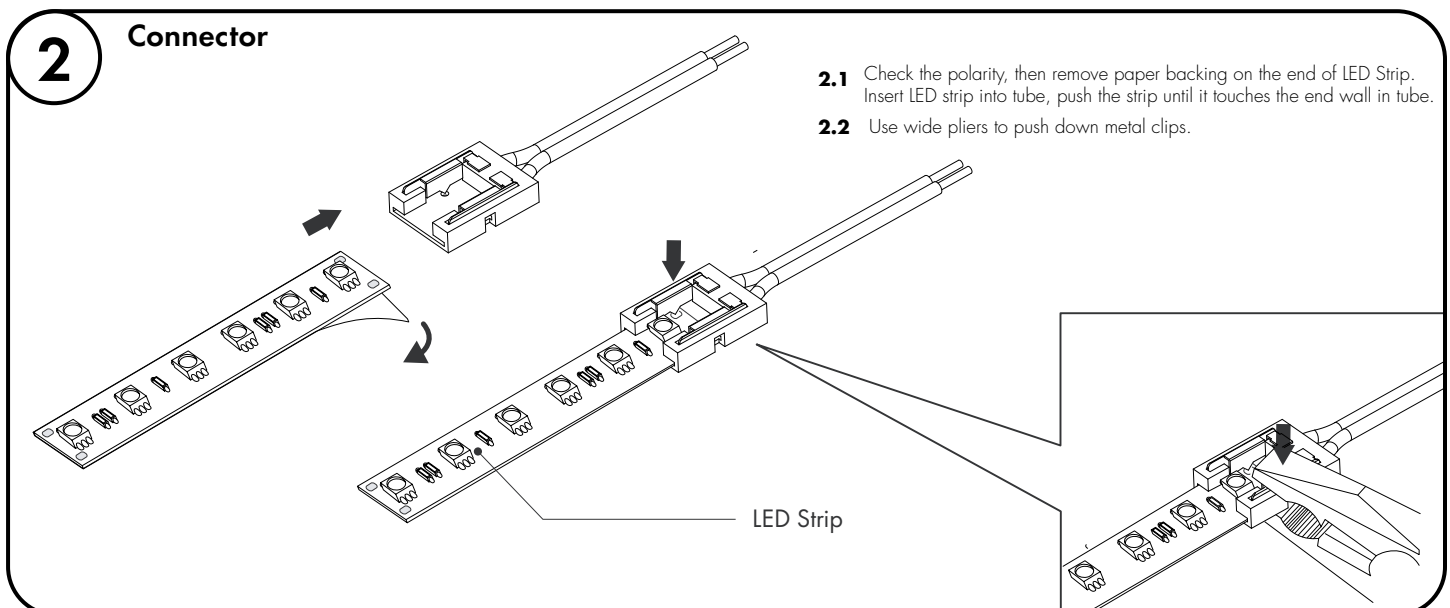
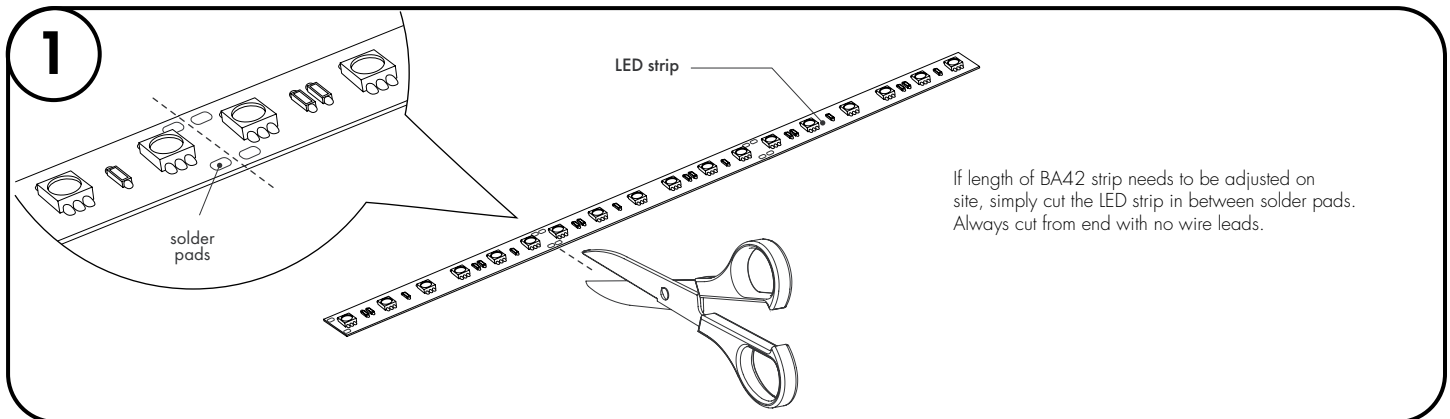
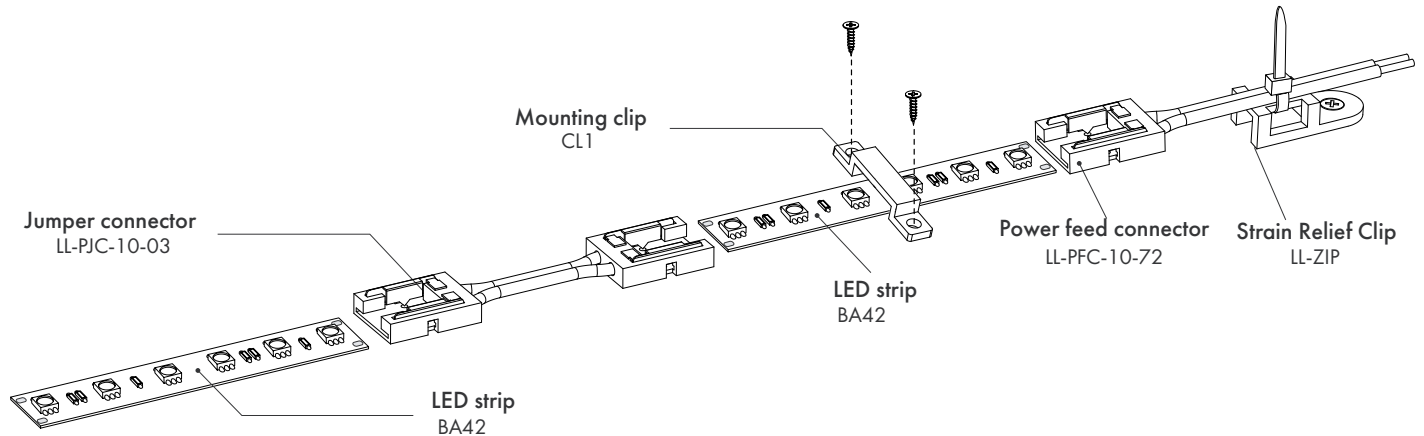
REVO.1  
02222024

1 / 3

**B** basics  
by luminii

7777 Merrimac Ave  
Niles, IL 60714  
T 224.333.6033  
F 224.757.7557  
info@luminii.com  
www.luminii.com

## Installation Directly to Mounting Surface using BA Connectors



# Installation Instructions for Basics

Models BA42

Please read all instructions prior to installation and keep for future reference!

1. Product should be installed by a qualified electrician.
2. Prior to installation ensure power is off at fuse box to prevent electrical shock.
3. Use only with Class 2 power unit. Utiliser seulement avec Classe 2 unite d'alimentation électrique.
4. Suitable for Damp Locations. Convient Aux Emplacements Humides.
5. For under-cabinet or shelf mount.
6. Conforms to UL STD 2108. Certified to CSA STD C22.2 No.250.0.



REVO.1  
02222024

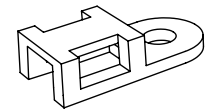
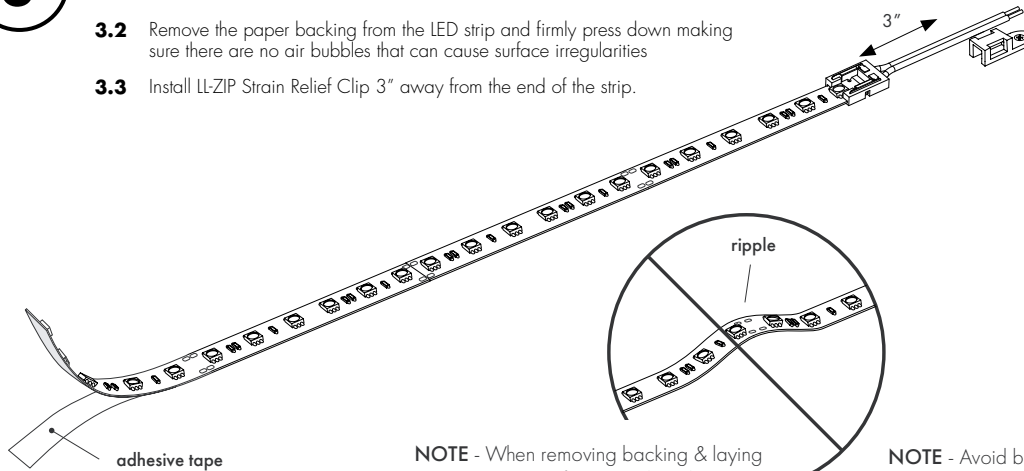
2 / 3

**B** basics  
by luminii

7777 Merrimac Ave  
Niles, IL 60714  
T 224.333.6033  
F 224.757.7557  
info@luminii.com  
www.luminii.com

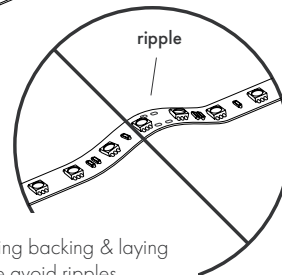
**3**

- 3.1 Clean the area thoroughly where the LED strip will be installed.
- 3.2 Remove the paper backing from the LED strip and firmly press down making sure there are no air bubbles that can cause surface irregularities
- 3.3 Install LL-ZIP Strain Relief Clip 3" away from the end of the strip.

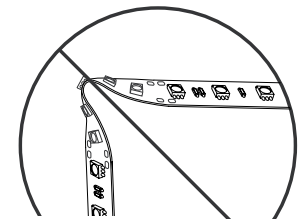


**LL-ZIP**

Strain Relief Clip



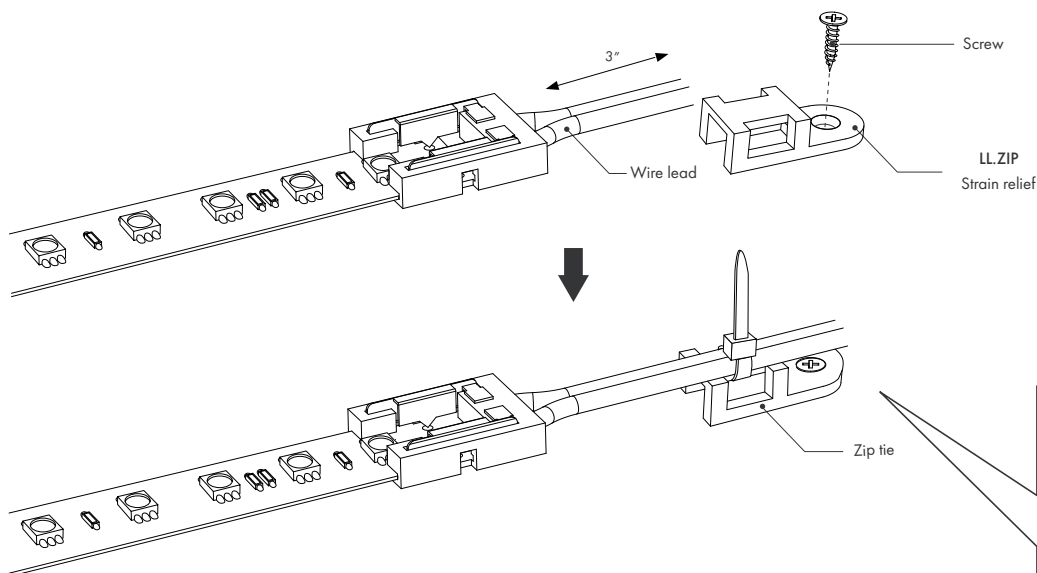
**NOTE** - When removing backing & laying Express strip to surface avoid ripples.



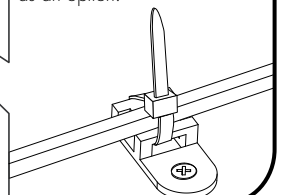
**NOTE** - Avoid bending the Express strip in flat bends which may damage the LEDs.

**4**

- 4.1 Place the strain relief in desired place. Make sure it is 3" away from the end of the strip.
- 4.2 Slide the ziptie through strain relief opening.
- 4.3 Lay wire lead on top of strain relief.
- 4.4 Tighten zip tie around lead wire. Cut off excess zip tie.



Can also be placed horizontally as an option.



# Installation Instructions for Basics

Models BA42

Please read all instructions prior to installation and keep for future reference!

1. Product should be installed by a qualified electrician.
2. Prior to installation ensure power is off at fuse box to prevent electrical shock.
3. Use only with Class 2 power unit. Utiliser seulement avec Classe 2 unite d'alimentation electrique.
4. Suitable for Damp Locations. Convient Aux Emplacements Humides.
5. For under-cabinet or shelf mount.
6. Conforms to UL STD 2108. Certified to CSA STD C22.2 No.250.0.



REVO.1  
02222024

3 / 3

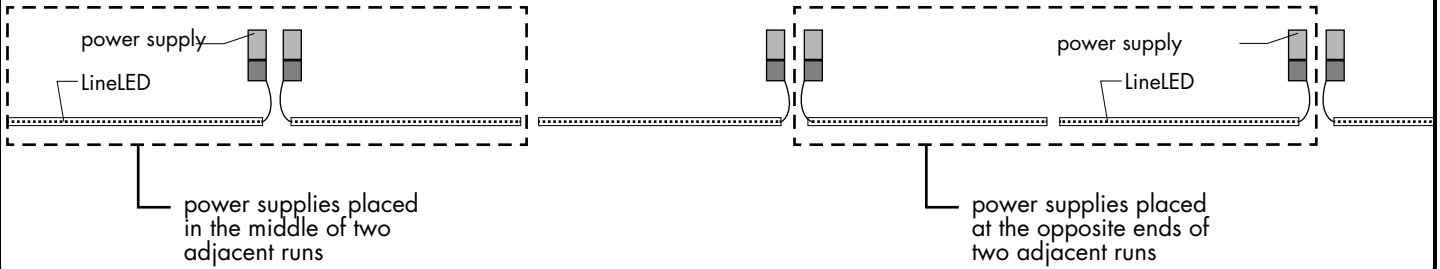
**B** basics  
by luminii

7777 Merrimac Ave  
Niles, IL 60714  
T 224.333.6033  
F 224.757.7557  
info@luminii.com  
www.luminii.com

**1**

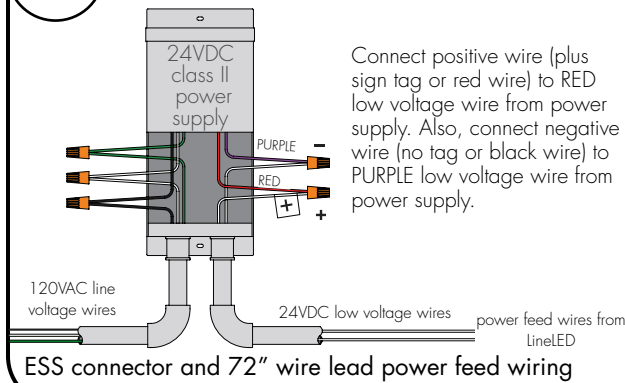
## RECOMMENDED LAYOUT FOR MULTIPLE ADJACENT RUNS OF LINELED FED WITH SEPARATE POWER SUPPLIES

Position power supplies either in the middle of two runs or at the opposite ends.



**2**

Always ensure power to power supply is off! Follow diagrams to connect power feed wires to power supply. Refer to power supply instructions for wiring line voltage side.



OR

